



▶ Model LP3SL, LP3PL, LP3TL, LP3ML

StreamLine® Low Profile Steady Burning LED Light



Model LP3L low profile LED light is offered in four mounting configurations; LP3PL with an integrated 1/2" NPT pipe mount, LP3ML features an integrated 1/2" NPT male pipe mount, LP3TL features a T formation base with 2 mounting holes for wall or flush mounting and the LP3SL features a three hole surface mounting configuration. Models LP3ML, LP3SL, and LP3TL include a surface mount gasket to complete the Type 4X installation. An optional dome guard is available for use with the LP3ML, LP3SL and LP3TL when installed on a panel.

All models include the vibration resistant, double contact bayonet style 50,000 hour LED module.

Like all StreamLine® products, the LP3L is designed with OEM applications in mind. It is economical, easy to install and attractive. Careful consideration has been given to the relationship between the LED light source and the lens design for maximum light output.

When your application calls for a compact signal with unparalleled reliability, Federal Signal's StreamLine products are the clear choice.

FEATURES

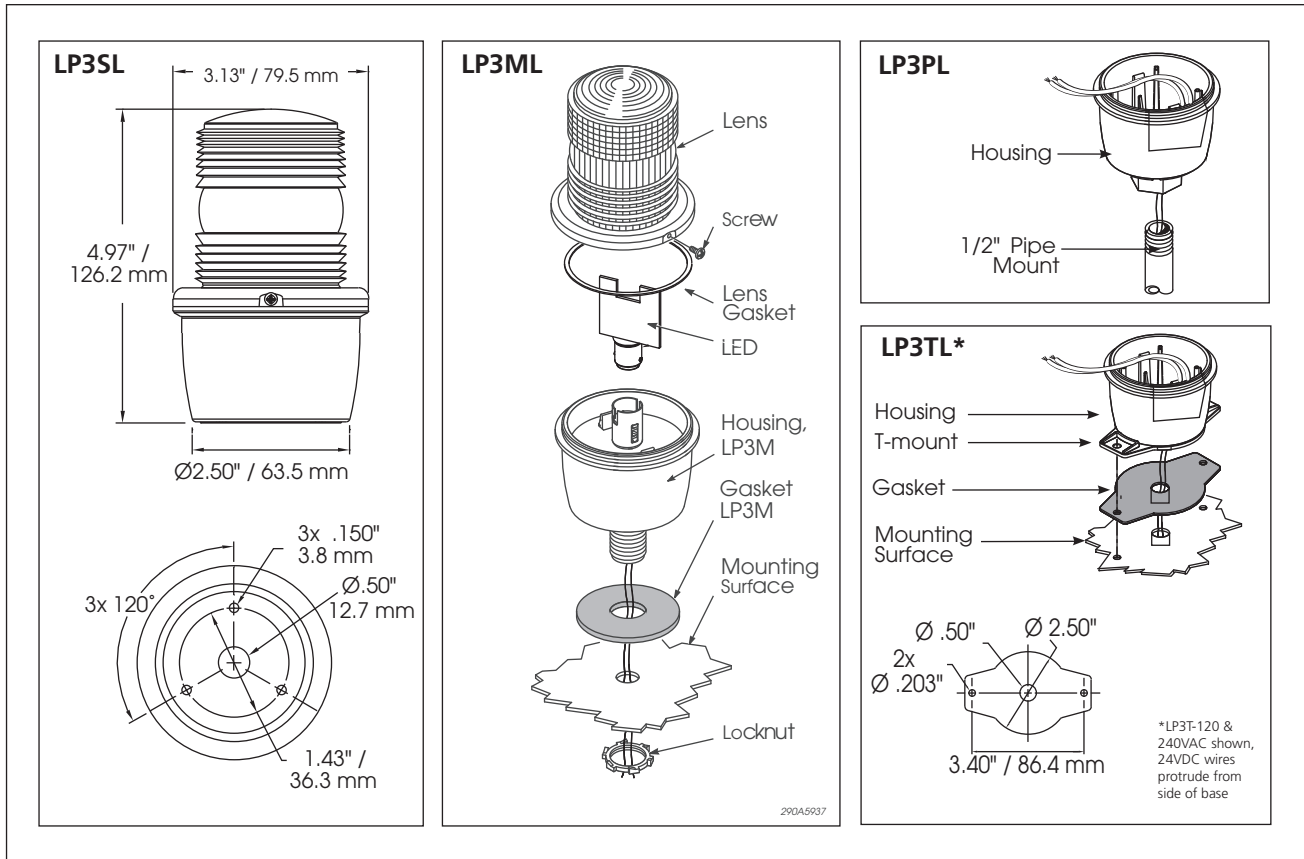
- Available in 24VDC and 120VAC
- T-mount (TL), integrated 1/2-inch NPT pipe mount (PL), 1/2-inch NPT male pipe mount (ML) or surface mount (SL)
- Five lamp/lens colors: Amber, Blue, Clear, Green and Red
- 50,000 Hour LED
- Screw on lens
- Indoor/outdoor use
- Type 4X, IP66, IP69K enclosure. Model LP3TL (T-Mount) is Type 4X, IP66 only
- Optional wire lens guard
- PLC Compatible
- UL and cUL Listed and CSA Certified

MODEL	VOLTAGE	OPERATING CURRENT
LP3 * L-024 **	24VDC	0.08 amps
LP3 * L-120 **	120VAC	0.13 amps

* Indicates Mounting Style: (S) Surface Mount, (P) Pipe Mount, (T) T-Mount, or (M) Male Pipe Mount

** Indicates color: (A) Amber, (B) Blue, (C) Clear, (G) Green or (R) Red

StreamLine® Low Profile Steady Burning LED Light (LP3SL/LP3PL/LP3TL/LP3ML)



SPECIFICATIONS

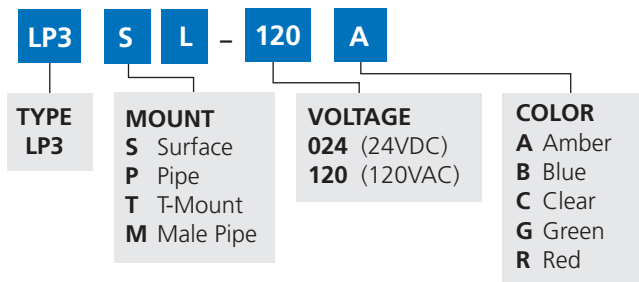
Lamp Life:		50,000 Hours
Light Source:		LED
Operating Temperature:	-31°F to 150°F	-35°C to 65°C
Net Weight:	0.46 lbs	0.21 kg
Shipping Weight:	0.53 lbs	0.24 kg
Diameter:	3.13"	79.5 mm
Height (from bottom):		
LP3PL	5.7"	144.8 mm
LP3ML	5.8"	147.3 mm
LP3TL	5.1"	129.5 mm
LP3SL	4.97"	126.2 mm

REPLACEMENT PARTS

Description	Part Number
Lens, Amber	K8589063A
Lens, Blue	K8589063A-01
Lens, Clear	K8589063A-02
Lens, Green	K8589063A-03
Lens, Red	K8589063A-04
Gasket Kit ¹	K858900353A
LED, 24V Amber	K8107199A
LED, 24V Blue	K8107199A-03
LED, 24V Clear	K8107199A-04
LED, 24V Green	K8107199A-02
LED, 120V Amber	K8107200A
LED, 120V Blue	K8107200A-03
LED, 120V Clear	K8107200A-04
LED, 120V Green	K8107200A-02
LED, 120V Red	K8107200A-01

¹ Includes gasket for LP3SL and LP3TL

HOW TO ORDER



OPTIONAL ACCESSORIES

Description	Part Number
Wire guard (compatible with S, T, and M mounts only)	LP3G

