

Safety Message to Installers of Siren Speakers

⚠ WARNING

People's lives depend on your proper installation and servicing of Federal Signal products. It is important to read and follow all instructions shipped with this product. Listed below are important safety instructions and precautions you should follow.

- To properly install or service this equipment, you must have a good understanding of automotive mechanical and electrical procedures and systems, along with proficiency in the installation and service of safety warning equipment. Always refer to the vehicle's service manuals when performing equipment installations on a vehicle.
- Do not install equipment or route wiring in the deployment path of an airbag.
- If a vehicle seat is temporarily removed, verify with the vehicle manufacturer if the seat needs to be recalibrated for proper airbag deployment.
- Frequently inspect the light system to ensure that it is operating properly and that it is securely attached to the vehicle.
- When drilling into a vehicle structure, ensure that both sides of the surface are clear of anything that could be damaged.
- Refer to the instructions packed with related products for additional precautions and information.
- Do not stare directly into the lights at a close range, or permanent damage to your eyesight may occur. Failure to follow all safety precautions and instructions may result in property damage, serious injury, or death.
- After installation and testing are complete, provide a copy of these instructions to instructional staff and all operating personnel.
- File these instructions in a safe place and refer to them when maintaining and/or reinstalling the product. Failure to follow all safety precautions and instructions may result in property damage, serious injury, or death.

Introduction

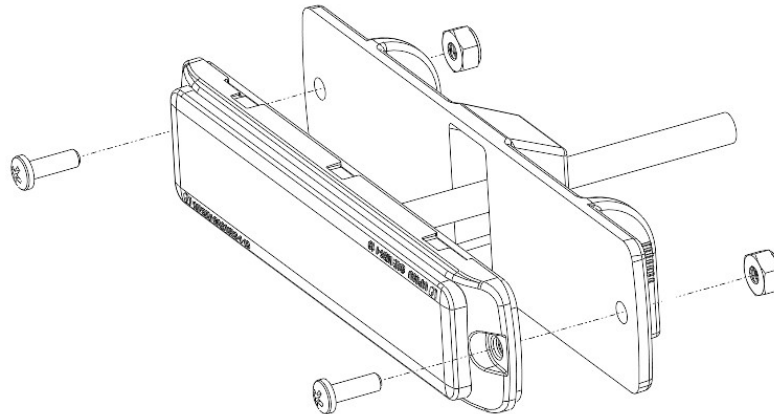
This bracket kit mounts a MicroPulse® MPS6U to a bracket which allows it to be adhesive, screw, or hood mounted.

Unpacking the Kit

After unpacking the kit, inspect it for damage that may have occurred in transit. If it has been damaged, do not attempt to install or operate it. File a claim immediately with the carrier, stating the extent of the damage. Carefully check all envelopes, shipping labels, and tags before removing or destroying them. If you are missing any parts, contact Customer Support at 1-800-264-3578, 7 a.m. to 5 p.m., Monday through Friday (CT).

Installing the Light Head

Figure 1 Exploded view



There are three methods for mounting the light head: adhesive mounting, screw mounting, and bracket mounting.

Adhesive Mounting

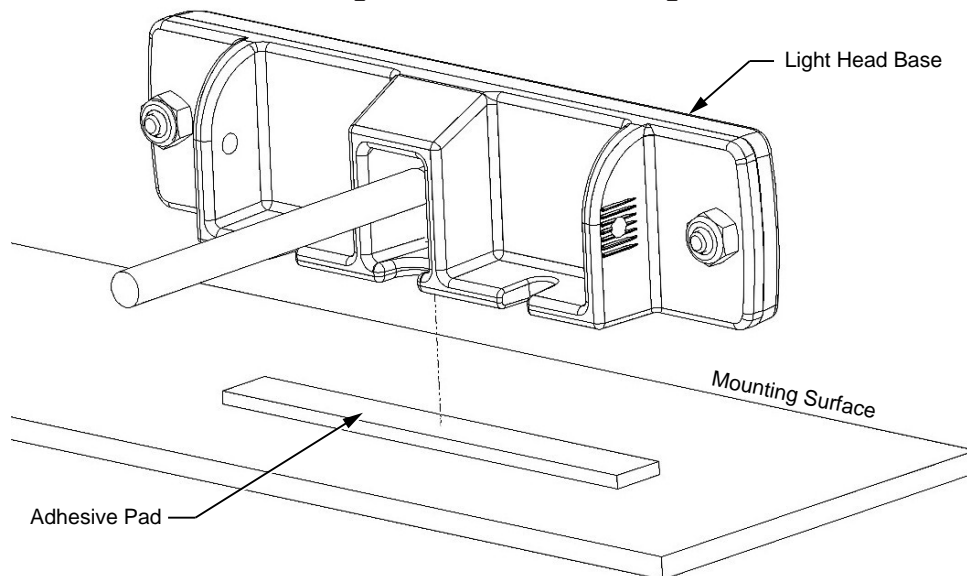
To mount the light head using this method:

⚠ WARNING

FUME HAZARD: To avoid inhaling toxic fumes, use alcohol prep pads in a well-ventilated area and/or wear a respirator mask.

1. Select and clean the mounting location.
2. Cut the adhesive pad to a length of 3-7/16 inches.
3. Peel the paper from the adhesive pad and apply the pad to the light head base.
4. Firmly attach the light head to the mounting surface.

Figure 2 Adhesive mounting



Screw Mounting

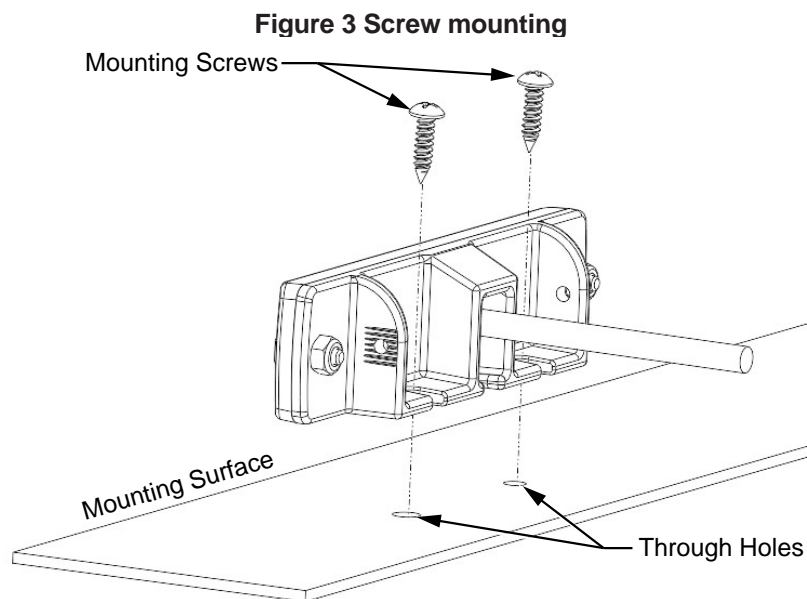
To mount the light head using this method:

1. Select the mounting location.

NOTICE

DRILLING PRECAUTIONS: Before drilling holes, check the area into which you plan to drill to ensure that you do not damage vehicle components while drilling. All drilled holes should be deburred, and all sharp edges should be smoothed. All wires going through drilled holes should be protected by a grommet or convolute/split-loom tubing.

2. Mark and drill the mounting holes.
3. Secure the light head to the mounting surface with the supplied screws.

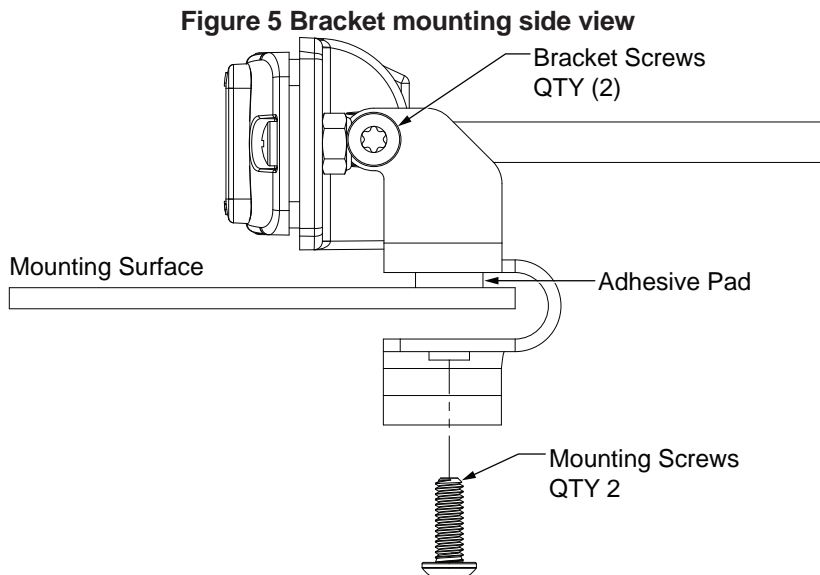
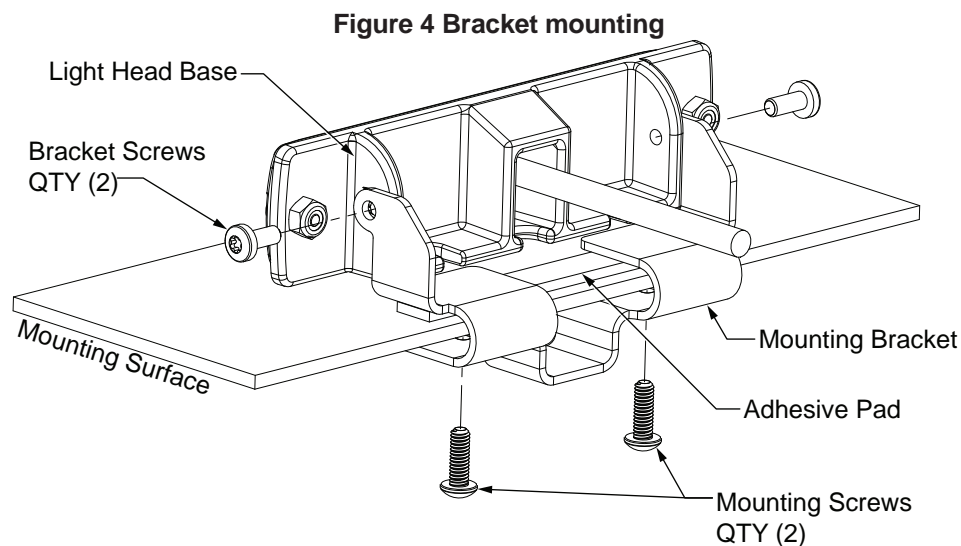


Installing the MPSM6U-HOOD Mounting Kit

Bracket mounting

To mount the light head using this method:

1. Select and clean the mounting location.
2. Cut the adhesive pad to a length of 3-7/16 inches.
3. Align the top holes of the mounting bracket to the threaded holes on the light head base bracket, and secure the screws after adjusting to desired angle.
4. Peel the paper from the adhesive pad and apply the pad to the mounting bracket as shown in Figures 4 and 5.
5. Secure the bracket assembly with the supplied screws through the bottom of the bracket. See Figures 4 and 5 below for reference.



Cleaning the Light Heads

Periodically cleaning the light heads using proper procedures and compatible cleaners will prolong their service life.

NOTICE

CRAZING/CLEANING SOLUTIONS: The use of cleaning solutions, such as strong detergents, solvents, and petroleum products, can cause crazing (cracking) of the light bar lens and reflectors. To clean the reflectors, use a soft, damp cloth. To clean the lens, use a soft cloth and a solution of water and a mild detergent.

⚠ WARNING

CRAZING/CHEMICALS: Crazed, cracked, or faded lenses or reflectors reduce the light output and the effectiveness of the lighting system. A lens or reflectors showing this type of aging must be replaced. Failure to follow this warning may result in bodily injury or death.

Getting Technical Support

For technical support, please contact:

Federal Signal Corporation
Service Department
Phone: 1-800-433-9132
Email: empserviceinfo@fedsig.com

Getting Repair Service

The Federal Signal factory provides technical assistance with any problems that cannot be handled locally. Any product returned to Federal Signal for service, inspection, or repair must be accompanied by a Return Material Authorization (RMA). Obtain an RMA from a local Distributor or Manufacturer's Representative. Provide a brief explanation of the service requested or the nature of the malfunction.

Address all communications and shipments to the following:

Federal Signal Corporation
Service Department
2645 Federal Signal Dr.
University Park, IL 60484-3167

Ordering Replacement Parts

To order replacement parts, call Customer Support at 1-800-264-3578, 7 a.m. to 5 p.m., Monday through Friday (CT), or contact your nearest distributor.

Limited Warranty

This product is subject to and covered by a limited warranty, a copy of which can be found at www.fedsig.com/SSG-Warranty. A copy of this limited warranty can also be obtained by written request to Federal Signal Corporation, 2645 Federal Signal Drive, University Park, IL 60484, email to info@fedsig.com or call +1 708-534-3400.

This limited warranty is in lieu of all other warranties, express or implied, contractual or statutory, including, but not limited to the warranty of merchantability, warranty of fitness for a particular purpose and any warranty against failure of its essential purpose.



FEDERAL SIGNAL
Safety and Security Systems

2645 Federal Signal Drive
University Park, Illinois 60484-3167

www.fedsig.com

Customer Support

Police/Fire-EMS: 800-264-3578 • +1 708 534-3400

Work Truck: 800-824-0254 • +1 708 534-3400

Technical Support: 800-433-9132 • +1 708 534-3400

© Copyright 2024-2025 Federal Signal Corporation

All product names or trademarks are properties of their respective owners.