

⚠ WARNING

25500656 A2 0125

MicroPulse® MPS3U, MPS6U, & MPS12U Light Heads Quick Start Guide

⚠ WARNING

To properly install this light head, you must have a good understanding of automotive electrical procedures and systems, along with proficiency in the installation and use of safety warning equipment. Before installing this light head, refer to the unabridged online instructions (doc no. 25500643), at www.fedsig.com or call the Federal Signal Service Department at 1-800-433-9132 7 a.m. to 5 p.m., Monday through Friday (CT).

Input Voltage 11 to 28 Vdc, 2 A Max.

Table 1 Lighthouse wiring

Pos.	Wire	Internal Flasher Mode	External Flasher Mode
1	Red	To +Vdc For Mode 1	To +Vdc For Color 1 Steady
3	White	To +Vdc For Mode 2	To +Vdc For Color 2 Steady
2	Brown	To +Vdc For Mode 3	To +Vdc For Color 3 Steady
4	Green	FSLink Sync* +VDC pattern/mode programming	To - Chassis Ground
5	Black	To - Chassis Ground	To - Chassis Ground

*Connect to other FSLink lights green wire to synchronize patterns.

**Position in waterproof connector, mating connector sold separately (WPCONNKIT-xx)

⚠ WARNING

25500656 A2 0125

MicroPulse® MPS3U, MPS6U, & MPS12U Light Heads Quick Start Guide

⚠ WARNING

To properly install this light head, you must have a good understanding of automotive electrical procedures and systems, along with proficiency in the installation and use of safety warning equipment. Before installing this light head, refer to the unabridged online instructions (doc no. 25500643), at www.fedsig.com or call the Federal Signal Service Department at 1-800-433-9132 7 a.m. to 5 p.m., Monday through Friday (CT).

Input Voltage 11 to 28 Vdc, 2 A Max.

Table 2 Lighthouse wiring

Pos.	Wire	Internal Flasher Mode	External Flasher Mode
1	Red	To +Vdc For Mode 1	To +Vdc For Color 1 Steady
3	White	To +Vdc For Mode 2	To +Vdc For Color 2 Steady
2	Brown	To +Vdc For Mode 3	To +Vdc For Color 3 Steady
4	Green	FSLink Sync* +VDC pattern/mode programming	To - Chassis Ground
5	Black	To - Chassis Ground	To - Chassis Ground

*Connect to other FSLink lights green wire to synchronize patterns.

**Position in waterproof connector, mating connector sold separately (WPCONNKIT-xx)

⚠ WARNING

25500656 A2 0125

MicroPulse® MPS3U, MPS6U, & MPS12U Light Heads Quick Start Guide

⚠ WARNING

To properly install this light head, you must have a good understanding of automotive electrical procedures and systems, along with proficiency in the installation and use of safety warning equipment. Before installing this light head, refer to the unabridged online instructions (doc no. 25500643), at www.fedsig.com or call the Federal Signal Service Department at 1-800-433-9132 7 a.m. to 5 p.m., Monday through Friday (CT).

Input Voltage 11 to 28 Vdc, 2 A Max.

Table 3 Lighthouse wiring

Pos.	Wire	Internal Flasher Mode	External Flasher Mode
1	Red	To +Vdc For Mode 1	To +Vdc For Color 1 Steady
3	White	To +Vdc For Mode 2	To +Vdc For Color 2 Steady
2	Brown	To +Vdc For Mode 3	To +Vdc For Color 3 Steady
4	Green	FSLink Sync* +VDC pattern/mode programming	To - Chassis Ground
5	Black	To - Chassis Ground	To - Chassis Ground

*Connect to other FSLink lights green wire to synchronize patterns.

**Position in waterproof connector, mating connector sold separately (WPCONNKIT-xx)

⚠ WARNING

25500656 A2 0125

MicroPulse® MPS3U, MPS6U, & MPS12U Light Heads Quick Start Guide

⚠ WARNING

To properly install this light head, you must have a good understanding of automotive electrical procedures and systems, along with proficiency in the installation and use of safety warning equipment. Before installing this light head, refer to the unabridged online instructions (doc no. 25500643), at www.fedsig.com or call the Federal Signal Service Department at 1-800-433-9132 7 a.m. to 5 p.m., Monday through Friday (CT).

Input Voltage 11 to 28 Vdc, 2 A Max.

Table 4 Lighthouse wiring

Pos.	Wire	Internal Flasher Mode	External Flasher Mode
1	Red	To +Vdc For Mode 1	To +Vdc For Color 1 Steady
3	White	To +Vdc For Mode 2	To +Vdc For Color 2 Steady
2	Brown	To +Vdc For Mode 3	To +Vdc For Color 3 Steady
4	Green	FSLink Sync* +VDC pattern/mode programming	To - Chassis Ground
5	Black	To - Chassis Ground	To - Chassis Ground

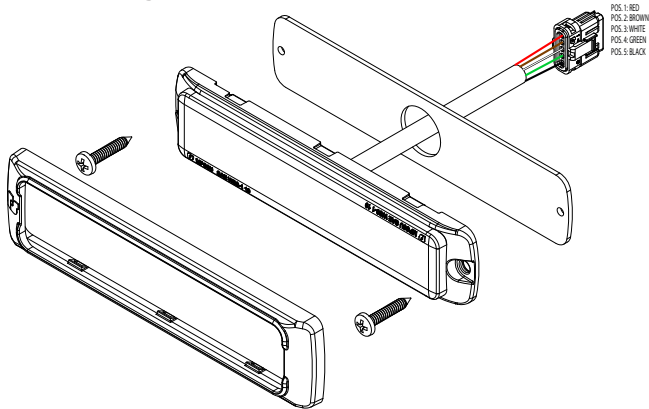
*Connect to other FSLink lights green wire to synchronize patterns.

**Position in waterproof connector, mating connector sold separately (WPCONNKIT-xx)

Internal Flasher Mode Defaults

- Mode 1 - Flash Pattern #10 (Steady Burn, Cruise Intensity)
- Mode 2 - Flash Pattern #1 (Triple 92.3 FPM, All Colors)
- Mode 3 - Flash Pattern #10 (Steady Burn, Full Intensity)

Figure 1 Kit contents (MPS6U shown)

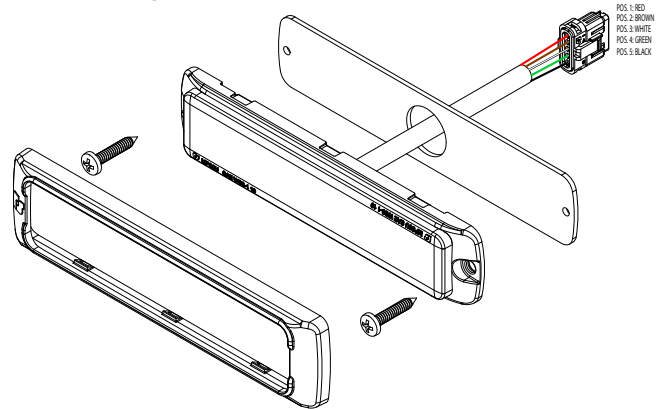


See online Instructions Doc No. 25500643.

Internal Flasher Mode Defaults

- Mode 1 - Flash Pattern #10 (Steady Burn, Cruise Intensity)
- Mode 2 - Flash Pattern #1 (Triple 92.3 FPM, All Colors)
- Mode 3 - Flash Pattern #10 (Steady Burn, Full Intensity)

Figure 1 Kit contents (MPS6U shown)

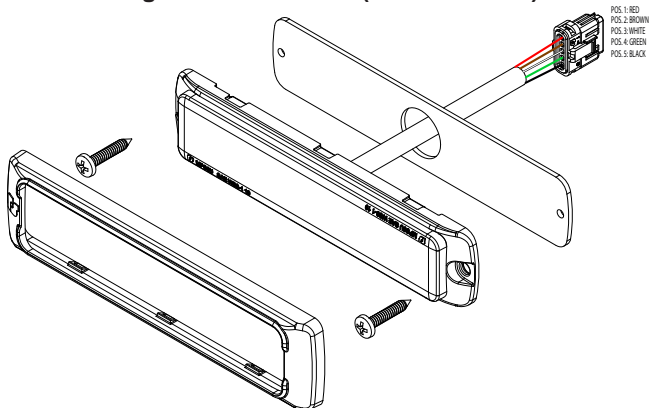


See online Instructions Doc No. 25500643.

Internal Flasher Mode Defaults

- Mode 1 - Flash Pattern #10 (Steady Burn, Cruise Intensity)
- Mode 2 - Flash Pattern #1 (Triple 92.3 FPM, All Colors)
- Mode 3 - Flash Pattern #10 (Steady Burn, Full Intensity)

Figure 1 Kit contents (MPS6U shown)

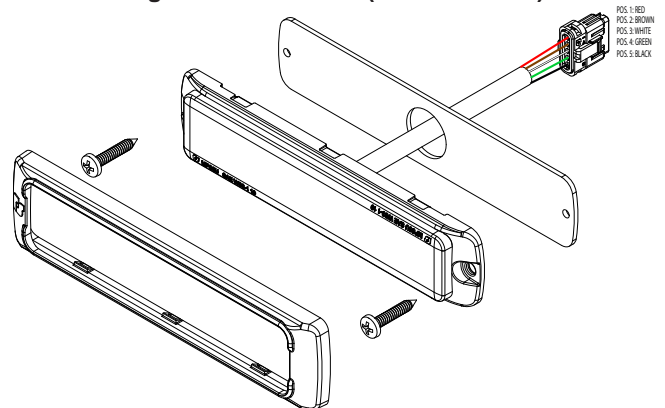


See online Instructions Doc No. 25500643.

Internal Flasher Mode Defaults

- Mode 1 - Flash Pattern #10 (Steady Burn, Cruise Intensity)
- Mode 2 - Flash Pattern #1 (Triple 92.3 FPM, All Colors)
- Mode 3 - Flash Pattern #10 (Steady Burn, Full Intensity)

Figure 1 Kit contents (MPS6U shown)



See online Instructions Doc No. 25500643.