



► Model 121S

Vitalite® Rotating Light



Federal Signal's Model 121S is a compact, rotating warning light designed for in-plant use. It features a parabolic reflector which rotates around an incandescent lamp, providing 60 flashes per minute in all directions.

Federal Signal's 121S comes ready to mount on a 1/2-inch NPT pipe or surface mount. Optional brackets simplify installation on walls or in corners (see pages 136-139). The enclosure is also rated Type 4X for a water-tight and dust-tight seal.

Model 121S features a twist and lock lens which allows for fast and easy access to inspect and change the lamp.

This light is ideal as a signaling or warning device in high ambient noise areas where it can supplement audible signaling devices.

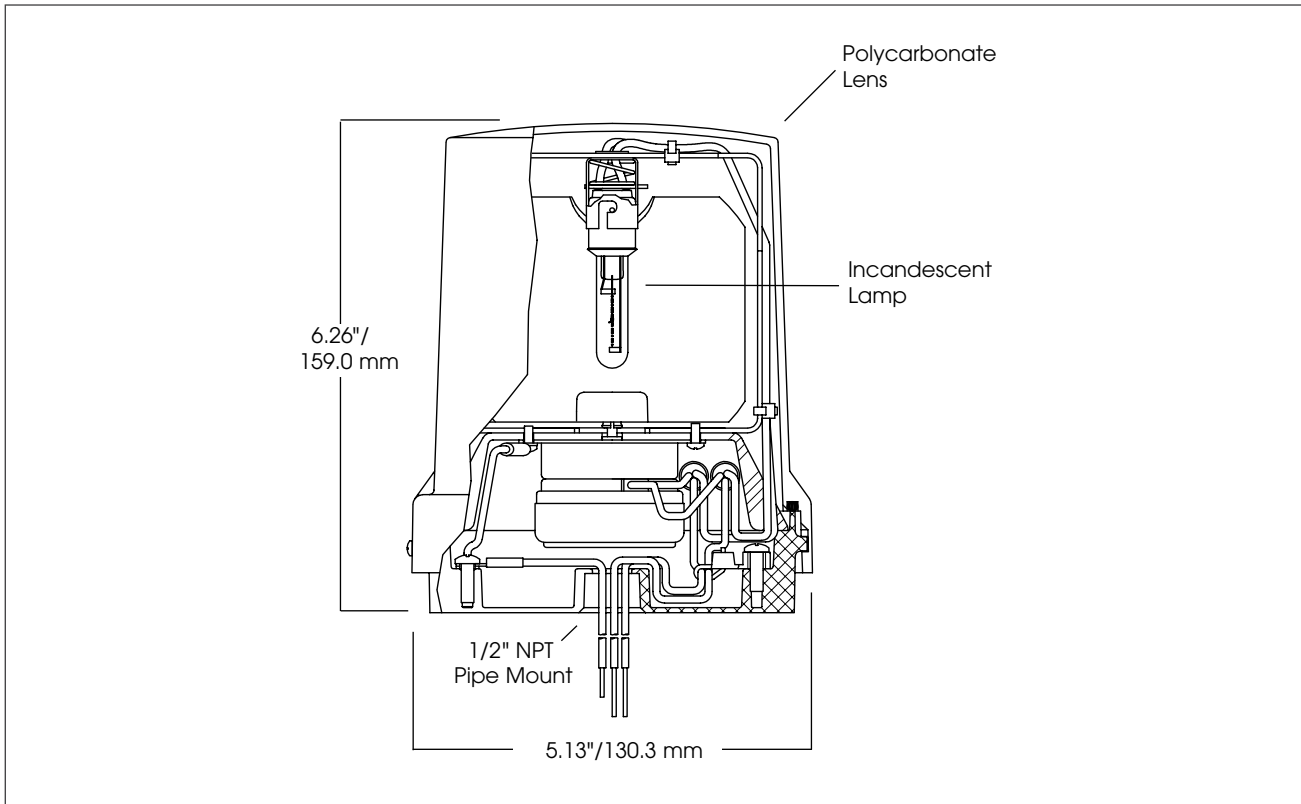
FEATURES

- Available in 120VAC
- 40 watt incandescent lamp
- Integrated 1/2-inch NPT pipe mount and surface mount
- Type 4X, IP66 enclosure
- IP69K compliant
- CSA Certified
- UL and cUL Listed

MODEL	VOLTAGE	OPERATING CURRENT	FLASH RATE/ MINUTE	LIGHT OUTPUT	MOUNT
121S-120 *	120VAC 50/60Hz	0.36 amps	60	2,100 cd	Pipe/Surface

* Indicates color: (A) Amber, (B) Blue, (C) Clear, (G) Green or (R) Red

Vitalite® Rotating Light (121S)



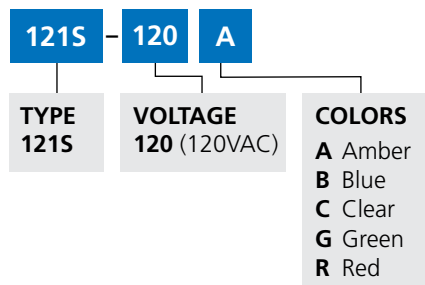
SPECIFICATIONS

Lamp Life:	3,000 Hours	
Light Source:	Incandescent	
Operating Temperature:	-31°F to 150°F	-35°C to 66°C
Net Weight:	2.0 lbs	0.95 kg
Shipping Weight:	2.1 lbs	0.96 kg
Height:	6.26 "	159.0 mm
Diameter:	5.13 "	130.3 mm

REPLACEMENT PARTS

Description	Part Number
Lens, Amber, Series C	K8444357A-02
Lens, Blue, Series C	K8444357A-01
Lens, Clear, Series C	K8444357A
Lens, Green, Series C	K8444357A-04
Lens, Red, Series C	K8444357A-03
Incandescent Lamp	
40W, 120V, Series C	K8107251A
25W, 120V, Series A and B	K8107181A

HOW TO ORDER



OPTIONAL ACCESSORIES

Description	Part Number
Corner Bracket	LCMB2*
Wall Bracket	LWMB2*
Hazardous Location Mounting Bracket	LHWB

* Type 3R rated
 Mounting Brackets shown on pages 136-139