



► Model VLBL

LED Vehicular Lightbar

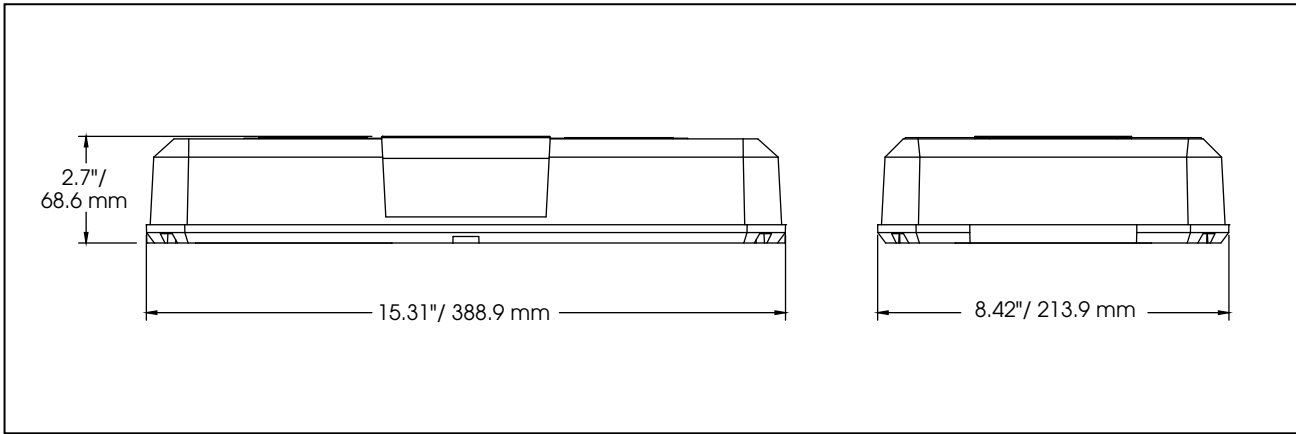
Model VLBL magnetic mount models include a cigarette lighter plug and built-in ON/OFF switch that makes it simple to install and just as simple to operate. Incorporated into the top of the dome is Federal Signal's innovative MagnetSelect™ feature (patent pending) that enables users to quickly, easily select from more than 23 user selectable flash patterns using a simple magnet (magnet not included).

FEATURES

- LED reflectors for 360-degree light distribution
- 23 user selectable flash patterns
- Pattern selection using MagnetSelect™ (magnet not included)
- Meets SAE J845, Class 1 approval

MODEL	OPERATING VOLTAGE	MOUNTING CONFIGURATION
VLBLM-012A	12VDC	Magnetic

LED Vehicular Lightbar (VLBL)



SPECIFICATIONS

Amp Draw:		Max 4A*
Flash Rate:		Various
LED Count:		26
LED Color:		Amber
Lens Color:		Amber
Length:	15.31"	388.9 mm
Width:	8.42"	213.9 mm
Height:	2.7"	68.6 mm
Shipping Weight	4.5 lbs	2.0 kg

*Total amp draw depends on flash pattern used

HOW TO ORDER

Specify Model:

VLBLM-012A – Low-profile lightbar, magnetic