



► Model AM30

## AudioMaster® Public Address 30 Watt Speaker

Model AM30 is an 8 Ohm constant directivity, re-entrant speaker that is ideal for most public address or paging applications. The constant directivity horn design provides excellent sound coverage throughout the typical frequency range of speech. The AM30 is molded from impact-resistant, beige acrylic-styrene-acrylonitrile (ASA). The unique omni-directional swivel mount of this speaker allows the unit to be pointed anywhere within a 360° half-sphere of area.

The driver of the AM30 employs a rugged phenolic diaphragm, a 1.5-inch diameter voice coil, and "rim centered" ferrite magnet structure for long life and durability under extreme operating conditions. A 12-inch connecting cable, phased and color coded, is provided for connecting the AM30.

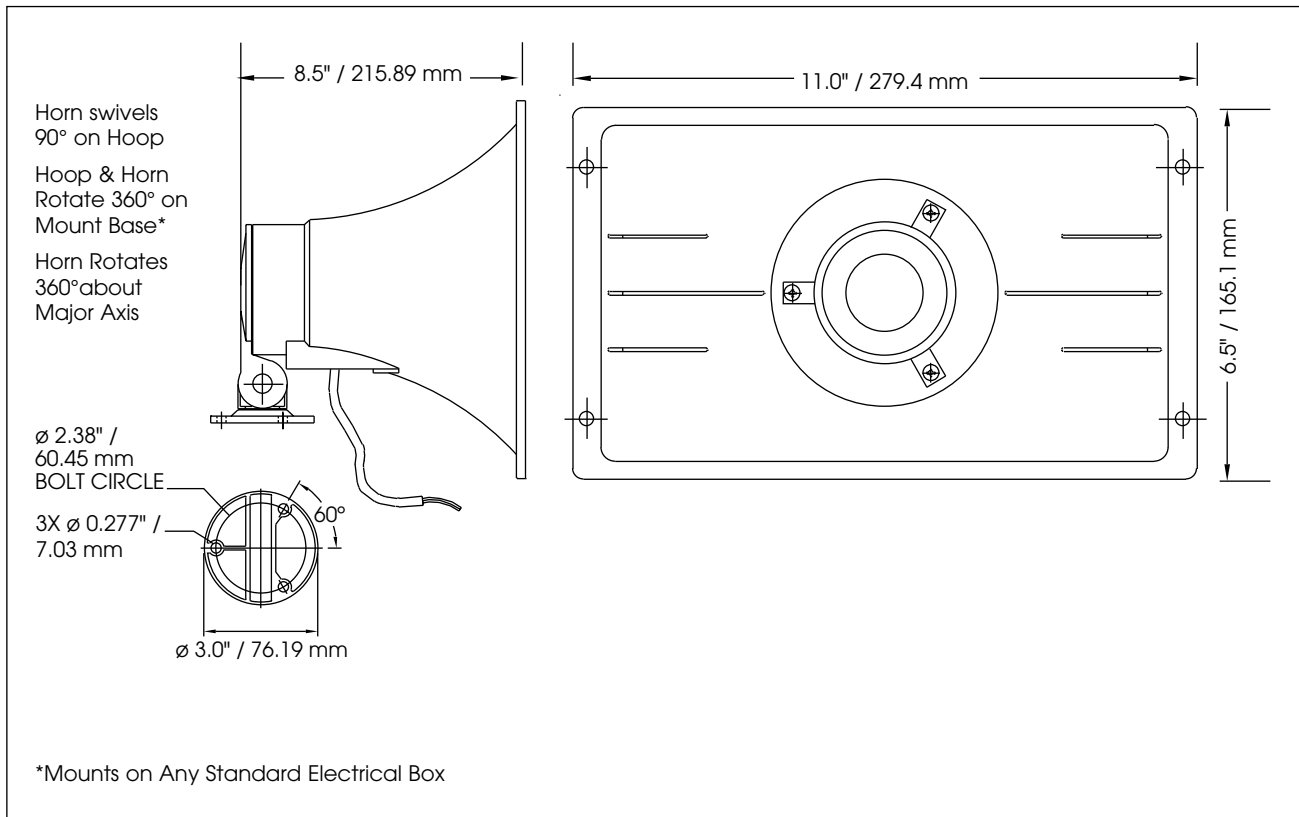
Model AM30 can be used with the AudioMaster® CTS series amplifiers and the AudioRouter™ to complete an industrial grade public address system.

### F E A T U R E S

- 8 Ohm
- 30 watt
- Constant directivity horn design
- Omni-directional swivel mount
- Type 3R enclosure

MODEL	POWER HANDLING	FREQUENCY RESPONSE	IMPEDENCE	BEAM WIDTH	DECIBELS	
					10'	1M
<b>AM30</b>	30 watt	400-6500Hz	8 Ohm	80° x 50°	97	107

# AudioMaster® Public Address 30 Watt Speaker (AM30)



## SPECIFICATIONS

Net Weight:	4.1 lbs.	1.8 kg
Shipping Weight:	4.6 lbs.	2.1 kg
Height:	6.5"	165.1 mm
Width:	11.0"	279.4 mm
Depth:	8.5"	215.9 mm

## HOW TO ORDER

**Specify Model:**  
**AM30** – Speaker, 30 watt, swivel mount