



FEDERAL SIGNAL
Safety and Security Systems

XStream® Interior Light Models XSMxx-xxx

Installation and Service Instructions

25500381

Rev A5 0822

Printed in U.S.A.

© Copyright 2017-2022 Federal Signal Corporation

Safety Messages

Safety Messages

Safety Messages to Installers and Users of Warning Light Equipment

WARNING

People's lives depend on your proper installation and operation of Federal Signal products. It is important to read and follow all instructions shipped with this product and the original product. Listed below are some other important safety instructions and precautions you should follow:

- To properly install this light, you must have a good understanding of automotive electrical procedures and systems, along with proficiency in the installation and service of safety warning equipment. Always refer to the vehicle's service manuals when installing equipment on a vehicle.
- DO NOT install equipment or route wiring in the deployment path of an airbag.
- When drilling into a vehicle structure, ensure that both sides of the surface are clear of anything that could be damaged.
- For the light to function properly, a separate ground connection must be made. If practical, it should be connected to the negative battery terminal. At a minimum, it may be attached to a solid metal body or chassis part that provides an effective ground path.
- Locate the light control so the VEHICLE and CONTROL can be operated safely under all driving conditions.
- The effectiveness of an interior mounted warning light depends on the clarity, the tinting, and the angle of the glass it is placed behind. Tinting, dirt, defects, and steeply angled glass reduce the light output of the warning light. This may reduce the effectiveness of the light as a warning signal. If your vehicle has dirty, tinted, or steeply angled glass, use extra caution when driving your vehicle or blocking the right of way with your vehicle.
- Do not attempt to activate or deactivate the light control while driving in a hazardous situation.
- Frequently inspect the light to ensure that it is operating properly and that it is securely attached to the vehicle.
- This product contains high-intensity LED devices. To prevent eye damage, DO NOT stare into the light beam at close range.
- After installation, test the lights to ensure that they are operating properly.
- If a vehicle seat is temporarily removed, verify with the vehicle manufacturer if the seat needs to be recalibrated for proper airbag deployment.

- After testing is complete, provide a copy of these instructions to the instructional staff and all operating personnel.
- File these instructions in a safe place and refer to them when maintaining and/or reinstalling the product.

Failure to follow all safety precautions and instructions may result in property damage, serious injury, or death.

Product Overview

The SpectraLux® XStream® LED Series light heads are low-current warning lights that are mounted only on the inside of the vehicle. The light head uses Solaris® LED reflector technology to provide a bright and effective secondary warning signal. XStream models have 18 LEDs per head that can be ordered in various color combinations with a clear lens. Wire lead (Sync) and accessory plug models are available.

All XStream models are designed for use with all Federal Signal switch controllers. The XStream is supplied with hardware for mounting the light head horizontally on the vehicle deck or dash. Additional bracket kits are available. The light heads have an operating temperature of -30°C to $+65^{\circ}\text{C}$ (-22°F to $+149^{\circ}\text{F}$).

Unpacking the Product

After unpacking the product, inspect it for damage that may have occurred in transit. If it has been damaged, do not attempt to install or operate it. File a claim immediately with the carrier, stating the extent of damage. Carefully check all envelopes, shipping labels, and tags before removing or destroying them. Ensure that the parts in the Kit Contents list are included in the package. If you are missing any parts, contact Customer Support at 1-800-264-3578, 7 a.m. to 5 p.m., Monday through Friday (Central Time).

Table 1 XStream Single Kit Contents*

Qty.	Description	Part Number
1	Visor, Long Single	861301423
1	Visor, Medium, Single	861301922
1	Visor, Short, Single	861301923
2	Screw, #8, 48-2, Plastite Equivalent, 6-Lobe, Steel, Black, Zinc	70000705-05
2	Screw, #10, Type B, Pan-Head, TORX Steel, Black, Zinc	7011246-06
2	Lockwasher, #10, Internal Tooth, Steel	7075A014
2	Suction Cup	8613121
1	Bail Bracket	861301751
1	Pivot Bracket	861301910

Unpacking the Product

Table 2 XStream® Dual Kit Contents*

Qty.	Description	Part Number
1	Visor, Long Dual	861301424
1	Visor, Medium Dual	861301924
1	Visor, Short, Dual	861301925
2	Screw, #8, 48-2, Plastite Equivalent, 6-Lobe, Steel, Black, Zinc	70000705-05
2	Screw, #10, Type B, Pan Head, TORX Steel, Black, Zinc	7011246-06
2	Lockwasher, #10, Internal Tooth, Steel	7075A014
2	Suction Cup	8613121
1	Bail Bracket	861301751
1	Bracket, Pivot	861301910

*User-supplied hardware is required to permanently mount the light

Figure 1 XStream suction cup mounting

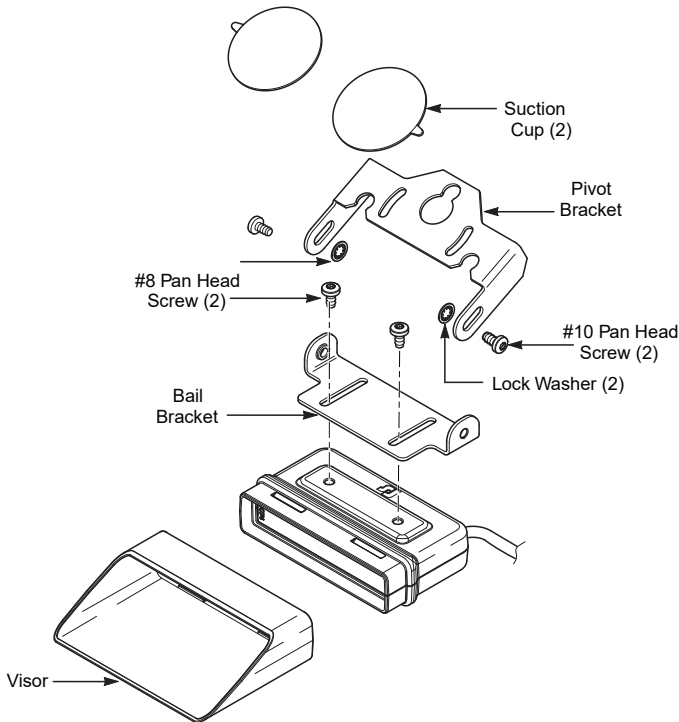
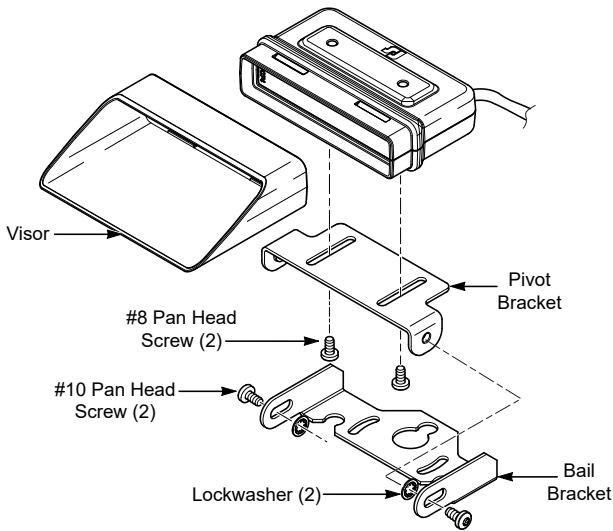


Figure 2 XStream bracket-mounting



Installing the Light Heads

⚠ WARNING

AIRBAG DEPLOYMENT: Do not install equipment or route wiring in the deployment path of an airbag. Failure to observe this warning will reduce the effectiveness of the airbag or potentially dislodge the equipment, causing serious injury or death.

⚠ WARNING

LIGHT OUTPUT COMPLIANCE: This product is intended for supplemental warning in conjunction with an approved primary warning light system. Consult local codes and regulations to determine if the power supply/light head combination complies with the horizontal or vertical mount position required in your application. Failure to follow this warning could result in reducing the light output and its effectiveness as a warning system.

⚠ WARNING

LIGHT HAZARD: To be an effective warning device, this product produces bright light that can be hazardous to your eyesight when viewed at a close range. Do not stare directly into this lighting product at a close range, or permanent damage to your eyesight may occur.

Before installing the lights, read all instructions and plan all wiring and cable routing. To secure and protect the wiring, use grommets, wire ties, looms, and cable mounts (installer-supplied) as needed.

Mounting the Light Head in a Vehicle

To install the light heads:

1. Optional: Set a light head to control the flash patterns of one or more light heads in the XStream® system.
2. Mount the XStream system to the vehicle. See Mounting the Light Head in a Vehicle below.
3. Wire the XStream system to the vehicle.
4. Select a flash pattern for the controller light head.

Mounting the Light Head in a Vehicle

The light is installed using the supplied bracket and screws or suction cups. Determine the mounting position appropriate for the installation, and then select the applicable mounting method.

Mounting the Light with Suction Cups



WARNING

SUCTION CUPS ARE FOR TEMPORARY USE ONLY: Suction cup mounting is for temporary applications only. This unit should be removed from the vehicle and stored securely when not in use. Temperature changes and sunlight can cause suction cups to lose holding power. Periodically check the unit to ensure that the suction cups have a firm grip on the mounting surface. An improperly secured light could fall off the windshield, causing injury and damage.

To mount the light with suction cups:

1. Attach the appropriate visor to the light head. Press the visor firmly until it snaps into place. See Figure 1 on page 4.
2. Attach the suction cups to the bracket.
3. Attach the pivot bracket to the light head using the supplied #8 pan-head screws. Do not overtighten.
4. Attach the bail bracket to the pivot bracket with the supplied #10 pan-head screws and lockwashers. The lockwashers go between the bail and the pivot bracket.
5. Apply the suction cups to the glass.

Mounting the Light with the Bracket

To mount the light with a bracket:

1. Select a mounting location for the light and best orientation of the brackets.
2. Attach the appropriate visor to the light head. Press the visor firmly to snap it into place. See Figures 1 and 2 starting on page 4.
3. Attach the pivot bracket to the light head using the supplied #8 pan head screws. Do not overtighten.
4. Attach the bail bracket to the pivot bracket with the supplied #10 pan head screws and lockwashers. The lockwashers go between the bail and the pivot bracket.
5. Attach the bail bracket to the vehicle using the appropriate user-supplied hardware.

Wiring and Programming the Light

XStream® lights are available as accessory plug or synchronizable models.

Wire Functions of Cigarette Plug Models

RED WIRE: Memory 1 (to + Vdc) (red switch on cigarette plug)

WHITE WIRE: Steady Flood (to +Vdc) (green switch on cigarette plug)

Dual head only: Press **S1** to change which heads are steady flood.

Accessory plug models are distinguished by the letter C in the part number.

Wire Functions of Synchronizable Models

Sync models have three additional wires:

BROWN WIRE: Memory 2 (to +Vdc)

GREEN WIRE: Sync/Program

To synchronize the lights, set them to the same color mode and flash pattern and connect the green wires. Do not sync patterns 8, 9, or 10.

BLACK WIRE: GND (to – chassis ground)

Configuring the Light

Color Designations

The color codes in the model number correspond to the colors listed below:

For example Model XSM1-BRW

COLOR1 = **B** (Blue)

COLOR2 = **R** (Red)

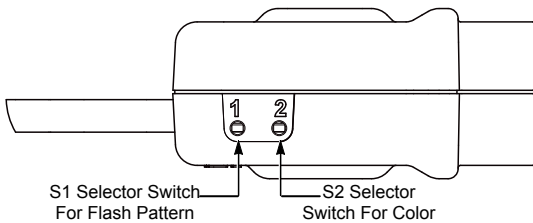
COLOR3 = **W** (White)

Code List: **B** = Blue, **R** = Red, **W** = White, **A** = Amber, **G** = Green

Configuring the Light

Two recessed switches in the side of the housing enable you to configure how the light operates. Switch **S1** displays and sets the flash pattern. Switch **S2** displays and sets the color mode. You can also configure the light for Low Power Mode. A small precision screwdriver or paperclip is required to access the switches. See Figure 3.

Figure 3 Recessed switch locations in housing



To select an action in Table 3, press **S1** for the duration listed in the **Seconds** column. To confirm your selection, the LEDs respond as shown in the table. For a list of flash patterns, see Table 4.

Table 3 S1 Flash Pattern Selection Switch

Seconds	COLOR 1 LED Response	Action
0–1	Bright	Next Pattern
1–3	Dim	Previous Pattern
3–5	Low	*Low Power
5+	Bright	Reset to Pattern 1

*Low Power Mode is disabled when the operator switches to another flash pattern.

WARNING

USE THE DIMMING/LOW POWER FUNCTION PROPERLY: Enabling the Low Power function in the light bar may cause the light output to fall below certain light output standards and guidelines for emergency warning lights. Use extreme caution when using this function. Ensure that the ambient light conditions are low enough that you are seen and that the reduction of glare from the light bar is safer than full light output in the situation. Failure to heed this warning may result in serious injury or death to you or others in your vicinity.

Table 4 Flash patterns

1	Triple 92.3	14	Double 120*
2	Triple 90	15	Triple 80*
3	Single 122	16	Triple 120*
4	Single 75*	17	Quad 60*
5	Single 90*	18	Quad 75*
6	Single 113*	19	Quad 95*
7	Cruise w/ Flicker	20	FedPulse Quad 75*
8	Random Time	21	Quint 75*
9	Random Common*	22	7X
10	Steady	23	Single Quad*
11	Single 75*	24	Decelerating
12	Single 120*	25	Accelerating
13	Double 80*		

*Conforms to California Title 13

Table 5 S2 Flashing Modes

Seconds	COLOR 2 LED Response	Action
0–1	Bright	Next COLOR Mode
1–3	Dim	Previous COLOR mode
3–5	Low	Toggle Sync Simultaneous, Alternate
5–7	Bright	Toggle Pattern All, Split**
7–9	Dim	Swap Colors (COLOR Modes 5, 6, 7, 8, 9, and 10)
9+	Low	Reset Switch 2 settings to default

**Pattern 17 (Steady Half 75) is split by default. No split option for FedPulse 75 and Cruise patterns

Instructions to Use with Flash Pattern Helper

Table 6 S2 Color Modes

Color Mode	Single Head	Dual Head 1	Dual Head 2	Description
1	Color 1, 2, 3	Color 1, 2, 3	Color 1, 2, 3	Heads flash COLOR1, COLOR2, and COLOR3
2	Color 1	Color 1	Color 1	Heads flash COLOR1
3	Color 2	Color 2	Color 2	Heads flash COLOR2
4	Color 3	Color 3	Color 3	Heads flash COLOR3
5	Color 1, 2	Color 1, 2	Color 1, 2	Heads flash COLOR1 and COLOR2***
6	Color 1, 3	Color 1, 3	Color 1, 3	Heads flash COLOR1 and COLOR3***
7	Color 2, 3	Color 2, 3	Color 2, 3	Heads flash COLOR2 and COLOR3***
8	Color 1 (duplicates 2)	Color 1	Color 2	Head 1 flashes COLOR1, Head 2 flashes COLOR2***
9	Color 1 (duplicates 2)	Color 1	Color 3	Head 1 flashes COLOR1, Head 2 flashes COLOR3***
10	Color 2 (duplicates 3)	Color 2	Color 3	Head 1 flashes COLOR2, Head 2 flashes COLOR3***

***Use Swap Colors function to reverse. (Table 5).

Instructions to Use with Flash Pattern Helper

For the flash pattern, connect the **SYNC**/green wire to the **FP** port:

1. Set the **MODE** to **AUTO**.
2. Set the flash pattern number to the desired setting. See Table 4 on page 9.
3. Press **START**.

For other settings:

1. Set the Mode to **AUTO**.
2. Set the flash pattern number to the desired setting. see Table 7 on page 11.
3. Press **START**.

Table 7 Flash Pattern Helper patterns

Flash Pattern #	Description
31-40	Sets Color
41	Pattern all
42	Pattern split
43	SYNC Master
44	SYNC Alt
45	COLOR Mode 5-7: Default
46	COLOR Mode 5-7: Swap Colors
47	Brightness High
48	Brightness Low

Cleaning the Light Heads

WARNING

CRAZING HAZARD: Crazed, cracked, or faded domes or reflectors reduce the light output and the effectiveness of the lighting system. Tops or reflectors showing this type of aging must be replaced. Failure to follow this warning may result in bodily injury or death to you or others.

WARNING

CLEANING SOLUTION WARNING: The use of cleaning solutions, such as strong detergents, solvents, and petroleum products, can cause crazing (cracking) of the domes and reflectors. Failure to follow this warning can damage the domes and reflectors and may result in bodily injury or death to you or others.

Periodically cleaning the XStream® lenses using proper procedures and compatible cleaners will prolong their service life. Use a mild soap and lukewarm water lightly applied on a soft cloth to gently clean the plastic surfaces. To avoid damaging the polycarbonate lenses, do not use heavy pressure or cleaners that are caustic, abrasive, or petroleum-based. To remove fine scratches and haze, use a specialty plastic cleaner/polish and a soft cloth. You can also use a high quality automotive paste cleaner/wax that is non-abrasive.

Getting Technical Support

For technical support, please contact:

Federal Signal Corporation
Phone: 1-800-433-9132
Email: empserviceinfo@fedsig.com

Getting Repair Service

Getting Repair Service

The Federal Signal factory provides technical assistance with any problems that cannot be handled locally.

Any units returned to returned to Federal Signal for service, inspection, or repair must be accompanied by a Return Material Authorization (RMA). Obtain an RMA from a Local Distributor or Manufacturer's Representative. Provided a brief explanation of the service requested or the nature of the malfunction.

Address all communications to the following address.

Federal Signal Corporation
Service Department
2645 Federal Signal Drive
University Park IL 60484-3167

Limited Warranty

This product is subject to and covered by a limited warranty, a copy of which can be found at www.fedsig.com/SSG-Warranty. A copy of this limited warranty can also be obtained by written request to Federal Signal Corporation, 2645 Federal Signal Drive, University Park, IL 60484, email to info@fedsig.com or call +1 708-534-3400.

This limited warranty is in lieu of all other warranties, express or implied, contractual or statutory, including, but not limited to the warranty of merchantability, warranty of fitness for a particular purpose and any warranty against failure of its essential purpose.



FEDERAL SIGNAL
Safety and Security Systems

2645 Federal Signal Drive
University Park, Illinois 60484

www.fedsig.com

Customer Support

Police/Fire-EMS: 800-264-3578 • +1 708 534-3400

Work Truck: 800-824-0254 • +1 708 534-3400

Technical Support 800-433-9132 • +1 708 534-3400

All trademarks are property of their respective owners.