



► Model 450EWBX

# Vibratone® Hazardous Location Electronic Horn

Model 450EWBX hazardous location electronic horn offers a patented electronic design that produces a very loud, clear and distinctive electronic tone. The model is capable of producing sustained tones or coded blasts through push button or PLC control devices without a duty cycle or interval limitations.

The 450EWBX is ideal for general alarm, start and dismissal, coded paging and process control signaling in areas of high ambient noise levels.

## FEATURES

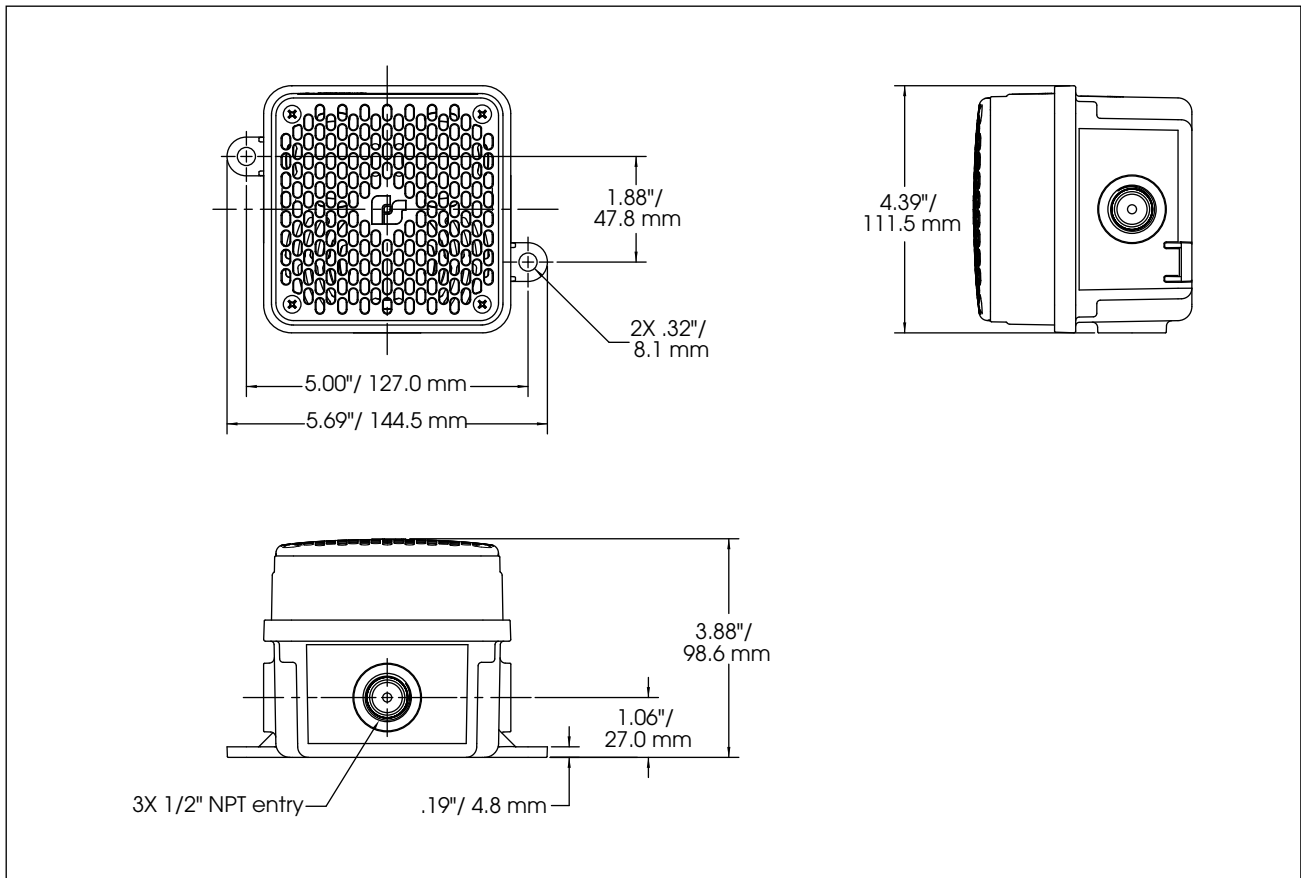
- No duty cycle
- Four wire terminal block and supervisory diode
- No detectable RF emissions in a 30-1000 MHz frequency range
- Type 4X enclosure
- IP69K compliant
- Marine Rated
- UL and cUL Listed for Class I, Division 2, Groups A, B, C, and D; Class II, Division 2, Groups F and G; Class III
- 450E horn is UL and ULC Canadian Listed for Fire Alarm use

MODEL	VOLTAGE	OPERATING CURRENT	DECIBELS UL 464		DECIBELS	
			10'	1M	10'	1M
450EWBX-024	24VDC	0.22 amps	90	100	99	109
	12VDC	0.12 amps	N/A	N/A	94	104

### HAZARDOUS LOCATION RATING: 450EWBX

T-CODE AT MAXIMUM AMBIENT TEMPERATURE, °C		
HAZARDOUS LOCATION	40 °C	70 °C
Class I, Division 2, Groups A, B, C & D	T4A	T3C
Class II, Division 2, Groups F & G	T5	T4A
Class III	T5	T4A

Vibratone® Hazardous Location Electronic Horn (450EWBX)



S P E C I F I C A T I O N S

Operating Temperature:	-65°F to 150°F	-54°C to 66°C
Housing:	Non-metallic Polycarbonate Light Gray (RAL 7035)	
Speaker Cone:	Polymeric	
Net Weight:	2.3 lbs	1.04 kg
Height:	4.39"	111.5 mm
Width:	5.69"	144.5 mm
Depth:	3.88"	98.6 mm

H O W T O O R D E R

**Specify Model:**  
**450EWBX-024** – Electronic Horn,  
 Hazardous Location, 12/24VDC