

► Models 504WB and 506WB

# Vibratone® Bell Assemblies



Vibratone® Bell Assembly Models 504WB and 506WB are completely assembled and include the gong, vibrating AC mechanism, and the gasketed back box. These assemblies feature heavy-duty, industrial grade housings and powder-coat paint treatments for added durability and performance.

Vibratone gongs are tempered to produce superior output and long-lasting durability.

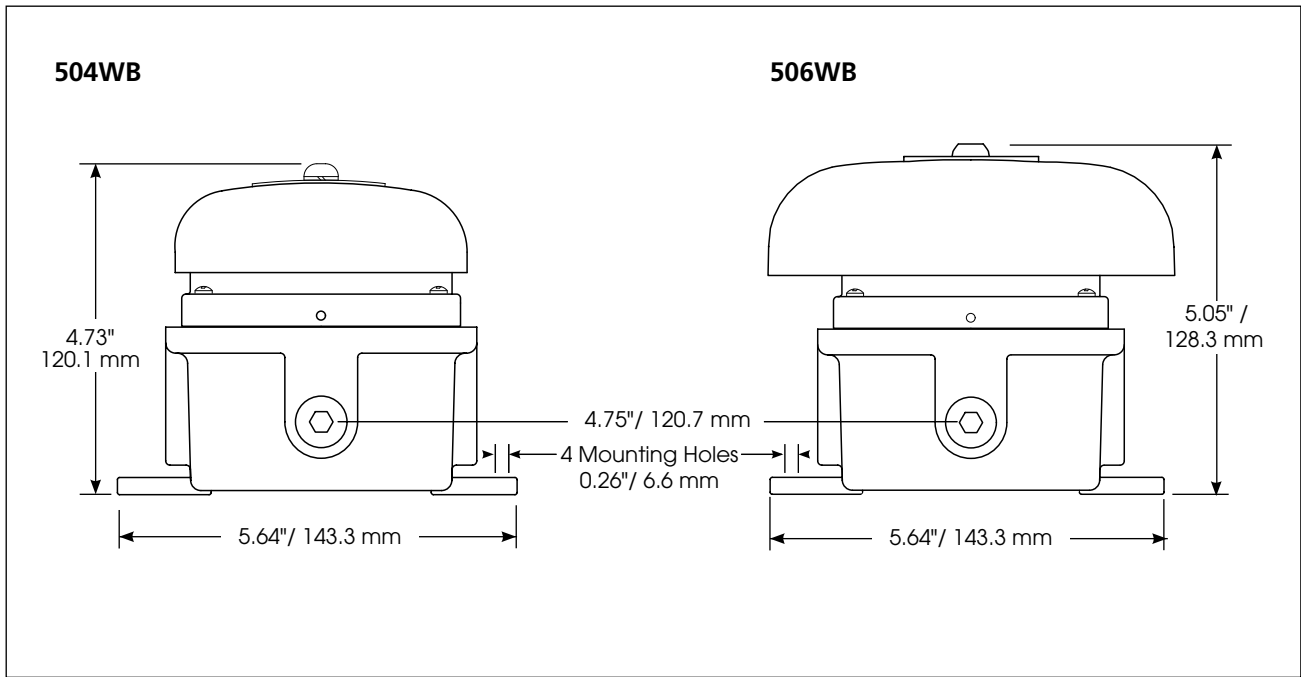
Both models contain internal terminal blocks which simplifies installation. This method also allows for an uninterrupted, single run of wiring.

## FEATURES

- Available in 120VAC
- Four-inch or six-inch options
- Four-inch gong produces 98 dBa @ 10' (108 dBa @ 1m)  
Six-inch gong produces 100 dBa @ 10' (110 dBa @ 1m)
- Type 3R enclosure
- CSA Certified
- UL and cUL Listed

MODEL	VOLTAGE	OPERATING CURRENT	DECIBELS	
			10'	1M
<b>504WB-120</b>	120VAC	0.08 amps	98	108
<b>506WB-120</b>	120VAC	0.08 amps	100	110

# Vibratone® Bell Assemblies (504WB and 506WB)



## SPECIFICATIONS

Operating Temperature: -31°F to 150°F      -35°C to 66°C  
 Duty Cycle: 5 minutes ON/5 minutes OFF

Net Weight:  
 Model 504                      1.05 lbs                      0.48 kg  
 Model 506                      2.5 lbs                        1.13 kg

Shipping Weight:  
 Model 504                      1.65 lbs                      0.75 kg  
 Model 506                      3.0 lbs                        1.36 kg

Depth:  
 Model 504                      4.73"                        120.1 mm  
 Model 506                      5.05"                        128.3 mm

Width:  
 Model 504                      5.64"                        143.3 mm  
 Model 506                      5.64"                        143.3 mm

## HOW TO ORDER

### Specify Model:

**504WB-120** – Vibrating bell, 4", 120VAC weatherproof back box

**506WB-120** – Vibrating bell, 6", 120VAC weatherproof back box