

25500083 Rev C2 0322

## Safety Message to Installers and Users

### **⚠ WARNING**

People's lives depend on your proper installation and servicing of Federal products. It is important to read and follow all instructions shipped with the products. Listed below are some other important safety instructions and precautions you should follow:

- To properly install a light assembly, you must have a good understanding of automotive electrical procedures and systems, along with proficiency in the installation and use of safety warning equipment.
- When drilling into a vehicle structure, ensure that both sides of the surface are clear of anything that could be damaged.
- For electrical connections, refer to the instructions packed with the light system.
- Frequently inspect the light system to ensure that it is securely attached to the vehicle.
- Refer to the instructions packed with related products for additional precautions and information.
- File these instructions in a safe place and refer to them when maintaining and/or reinstalling the product.

Failure to follow all safety precautions and instructions may result in property damage, serious injury, or death.

## Unpacking the Kit

After unpacking the product, inspect it for damage that may have occurred in transit. If it has been damaged or is missing a part, do not attempt to install or operate it. File a claim immediately with the carrier, stating the extent of the damage. Carefully check all envelopes, shipping labels, and tags before removing or destroying them. Ensure that all parts in Table 1 or Table 2 have been included. If you are missing any parts, contact Customer Support at 1-800-264-3578 or 1-708-534-4756, 7 a.m. to 5 p.m., Monday through Friday (CT).

**Table 1 Valor dome service kits**

<b>Z865100372 VALR44 Dome Service Kit</b>		
<b>Qty.</b>	<b>Description</b>	<b>Part No.</b>
1	Dome, VALR44	8651101
1	Cover, VALR44	8651114
1	Seal, Lip, VALR44	8651116
11	Washer, Nylon	7072301
11	O-Ring	7067016
11	Barrel Nut	7065071

<b>Z865100374 VALR51 Dome Service Kit</b>		
<b>Qty.</b>	<b>Description</b>	<b>Part No.</b>
1	Dome, VALR51	8651103
1	Cover, VALR51	8651115
1	Seal, Lip, VALR51	8651116-51
15	Washer, Nylon	7072301
15	O-Ring	7067016
15	Barrel Nut	7065071

**Table 2 Integrity dome service kits**

<b>Z864900652 INTG44 Dome Service Kit</b>		
<b>Qty.</b>	<b>Description</b>	<b>Part No.</b>
1	Dome, INTG44	864900254
1	Cover, INTG44	864900259
1	Seal, Lip	8651116
9	Washer, Nylon	7072301
9	O-Ring	7067016
9	Barrel Nut	7065071

<b>Z864900653 INTG51 Dome Service Kit</b>		
<b>Qty.</b>	<b>Description</b>	<b>Part No.</b>
1	Dome, INTG51	864900256*
1	Cover, INTG51	864900261*
1	Seal, Lip	8651116-51
13	Washer, Nylon	7072301
13	O-Ring	7067016
13	Barrel Nut	765071

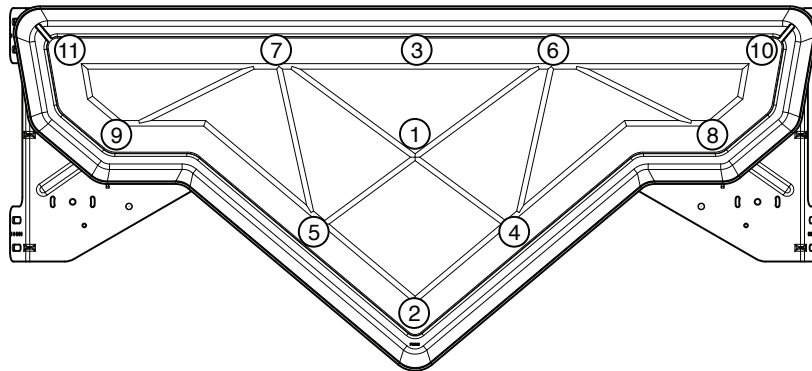
### Removing the Dome and Cover

To remove the dome and cover:

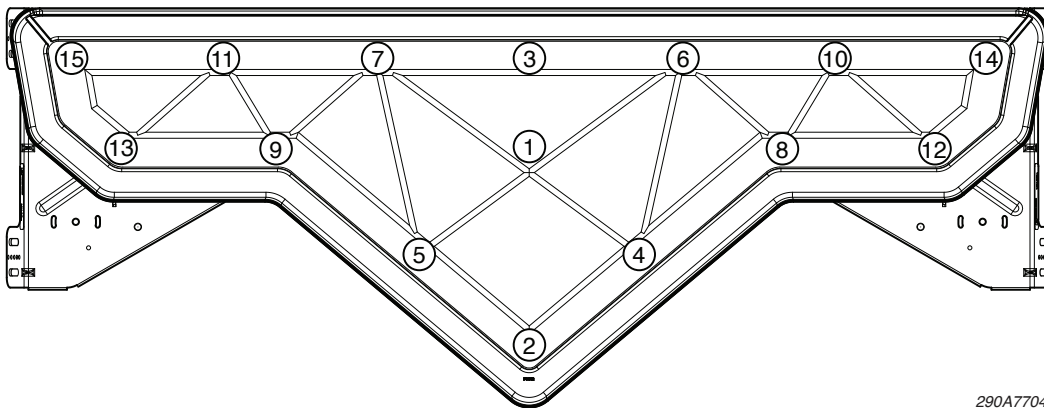
1. Disconnect all power to the light bar.
2. Use a T27 six-lobe driver to remove the 1/4-20 six-lobe barrel nuts securing the dome and discard the old barrel nuts, flat washers, and O-rings. See Figure 1 (Valor) or Figure 2 (Integrity).

**Figure 1 Barrel nut tightening order in Valor dome**

MODEL VALR44



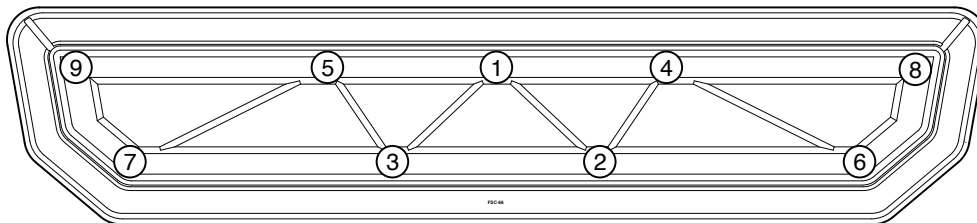
MODEL VALR51



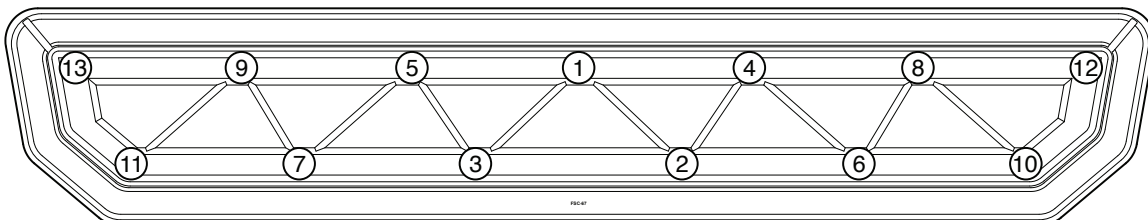
290A7704

**Figure 2 Barrel nut tightening order in Integrity dome**

INTG44



INTG51



290A7705

3. Remove the dome and the lip seal.

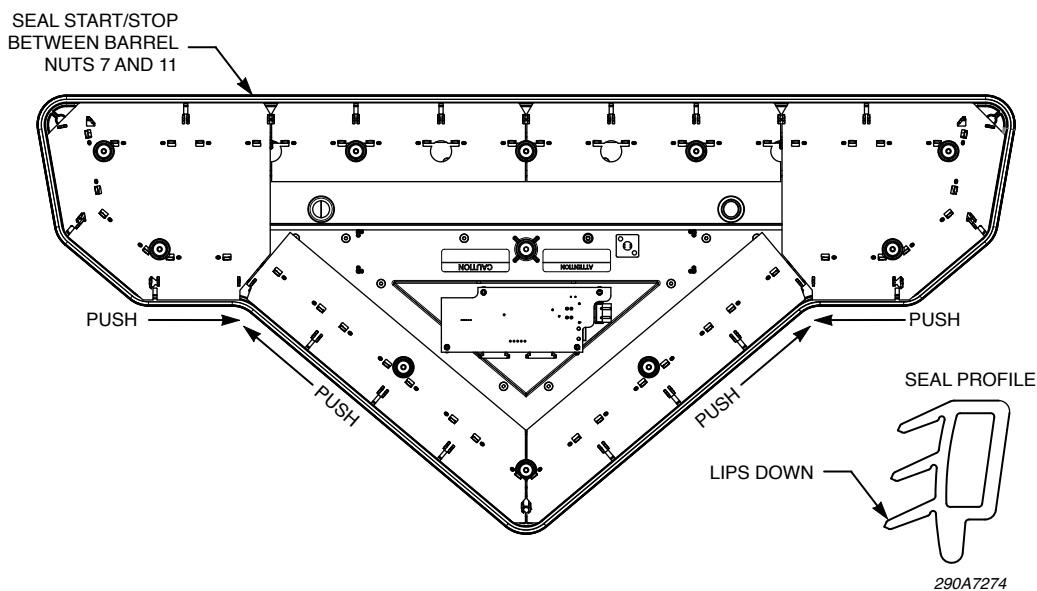
### Installing the Dome and Cover

To install the dome:

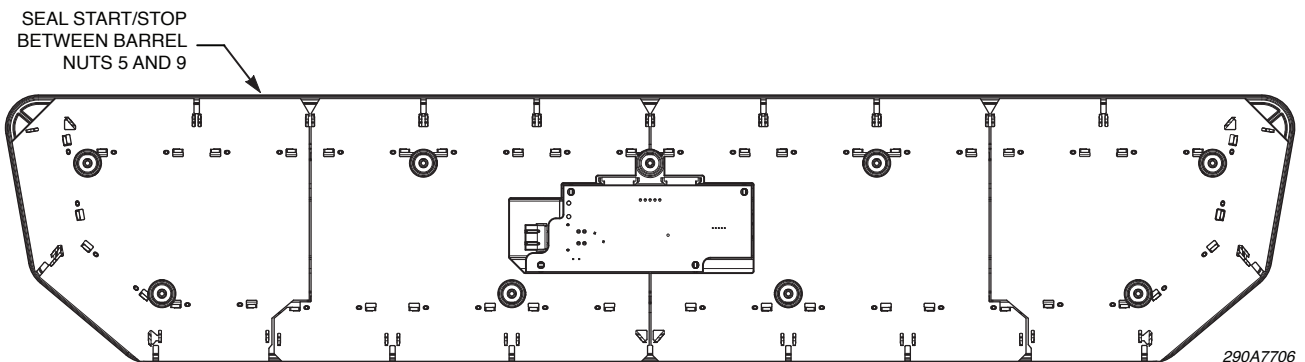
1. Use isopropyl alcohol to thoroughly clean the mounting surface of the lip seal on the base.
2. With the lips on the seal pointing down, start on the back edge between barrel nuts 7 and 11 (Valor, Figures 1 and 3) or barrel nuts 5 and 9 (Integrity, Figures 2 and 4) and press the new lip seal onto the mounting surface. **Do not stretch the lip seal.**

**NOTE:** When servicing a Valor light bar, to prevent the lip seal from pulling away from the base, push the lip seal into each of the two inside corners as shown in Figure 3.

**Figure 3 Lip seal orientation on Valor and application into inside corners**



**Figure 4 Lip seal orientation on Integrity**



3. Trim the starting end of the lip seal flush with the stopping end.
4. To ease the installation of the dome, apply a film of water-based rubber lubricant on the lip seal.
5. Remove the hex bolts from the preassembled dome service kit and discard the hex bolts. Take the barrel nuts out of the dome and set them aside for use in step 8.
6. Reinstall the dome and follow the next steps.

## Installation Instructions for the Valor®/Integrity® Light Bar Dome Service Kits

---

7. Verify that the lip seal is properly positioned and that it has not been dislodged during the dome installation.
8. Install the new hardware. To prevent cross-threading the barrel nuts, back them counterclockwise until you hear the click of the threads engaging.
9. Snug-tighten the barrel nuts to 16 in-lb to 24 in-lb in the sequence shown in Figure 1 (Valor) or Figure 2 (Integrity) on page 2. **Do not overtighten the nuts.**

### **⚠ WARNING**

**LIGHT HAZARD:** *To be an effective warning device, a light bar produces bright light that can be hazardous to your eyesight when viewed at close range. Do not stare into the light bar at close range, or permanent damage to your eyesight may occur.*

10. Reconnect power to the light bar and test it for proper operation.

### Getting Technical Support

For technical support, please contact:

Federal Signal Corporation  
Service Department  
Phone: 1-800-433-9132  
Email: [empserviceinfo@fedsig.com](mailto:empserviceinfo@fedsig.com)

### Getting Repair Service

The Federal Signal factory provides technical assistance with any problems that cannot be handled locally. Any product returned to Federal Signal for service, inspection, or repair must be accompanied by a Return Material Authorization (RMA). Obtain an RMA from a local Distributor or Manufacturer's Representative. Provide a brief explanation of the service requested or the nature of the malfunction.

Address all communications and shipments to the following:

Federal Signal Corporation  
Service Department  
2645 Federal Signal Dr.  
University Park, IL 60484-3167



2645 Federal Signal Drive  
University Park, Illinois 60484-3167

[www.fedsig.com](http://www.fedsig.com)

Customer Support

Police/Fire-EMS: 800-264-3578 • +1 708 534-3400

Work Truck: 800-824-0254 • +1 708 534-3400

Technical Support: 800-433-9132 • +1 708 534-3400

© Copyright 2014-2021 Federal Signal Corporation

All product names or trademarks are properties of their respective owners.