

► Model SSM

Synchronous Strobe Module



The Model SSM, Synchronous Strobe Module, is an electronic timing mechanism designed to energize select Federal Signal low in-rush 24VDC strobe lights simultaneously, while maintaining the ability to remotely supervise the strobe light circuit. This module is designed to synchronize a special series of Federal Signal strobe lights, which meet the requirement for Private-Mode Fire Alarm use, while maintaining the agency approval and environmental rating of the strobe light. The SSM is only compatible with Federal Signal brand strobe lights.

The SSM enables the customer to meet local building codes through a visually appealing “single-flash” created by the simultaneous control of strobe lights connected to it. Mixed signals are reduced to a minimum as reflection of many light pulses are now viewed as one single flash.

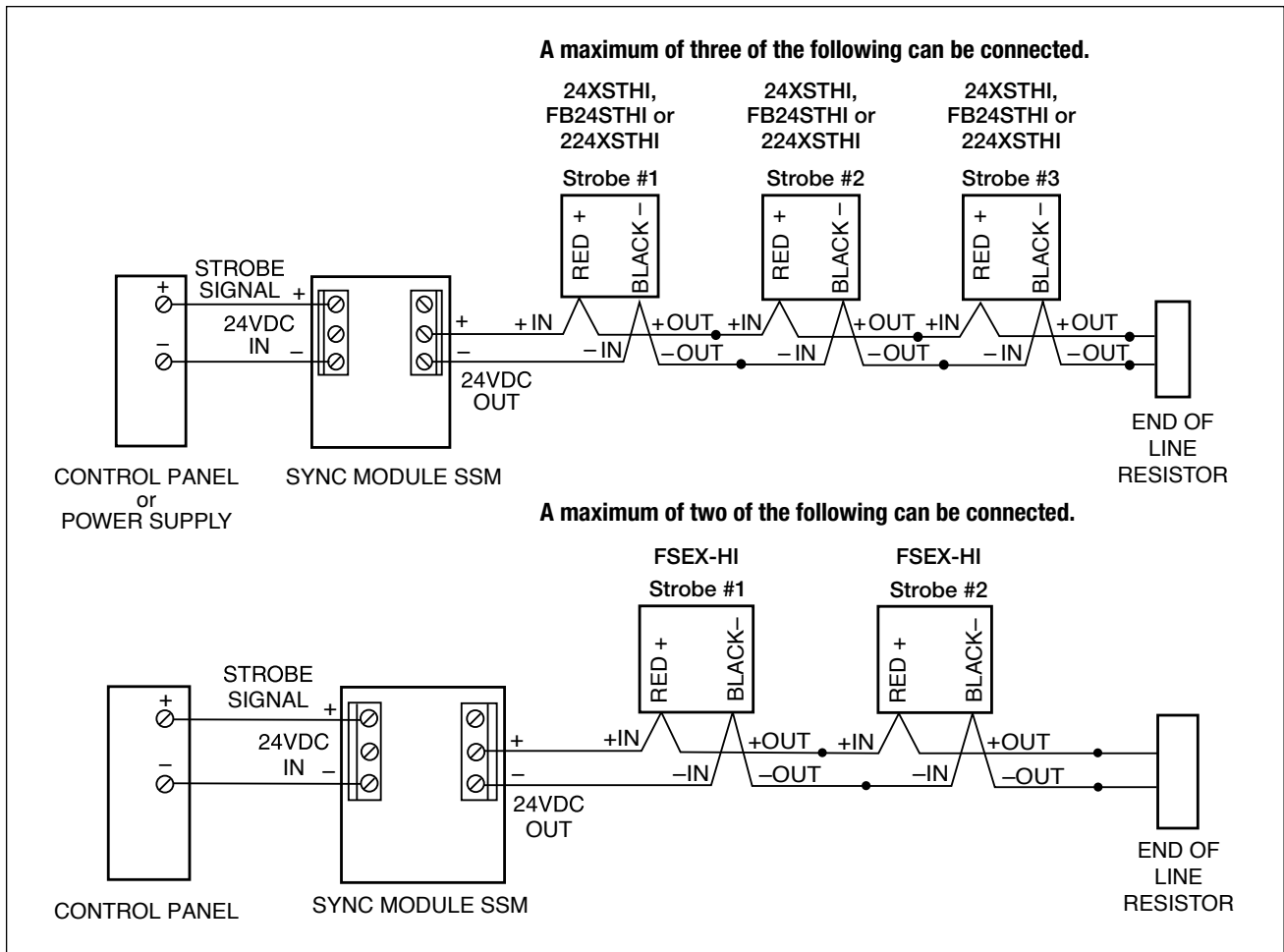
The SSM mounts to the plaster ring of a double-gang electrical box, and requires 24VDC at all times to operate the timing circuit. Screw terminals are provided for field termination of control wiring (reference drawing for details). and a maximum of three non-explosion-proof strobe lights or two explosion-proof strobe lights may be connected to each SSM. Electrically, the SSM should be mounted in the middle of the circuit, with a maximum cable distance of 100' from the SSM to each strobe light. Supervision is accomplished the same as without the SSM, with a flash rate of 72 flashes per minute in lieu of the advertised flash rate for each strobe light. The SSM is capable of switching 6 amps of current. Please note: Not all strobe lights have the same in-rush current and therefore the SSM's circuit's switching potential may be reduced. Please see the application drawings on the second page.

FEATURES

- Synchronizes strobe lights to 72 flashes per minute
- Mounts on double-gang electrical box
- UL1971 Approved for hearing impaired applications
- Polarized design allows for remote supervision
- Compatible with select Federal Signal model strobe lights (see chart)

MODEL	VOLTAGE	OPERATING CURRENT
SSM	24VDC	0.095 amps

Synchronous Strobe Module (SSM)



SPECIFICATIONS

Operating Temperature:	32°F to 120°F	0°C to 49°C
Net Weight:	0.53 lbs	0.24 kg
Shipping Weight:	0.93 lbs	0.42 kg
Height:	4.5"	114.3 mm
Width:	4.5"	114.3 mm
Depth:	1.12"	28.4 mm

COMPATIBLE STROBE LIGHTS

24XSTHI		3 per circuit
27XST-024*-MOD	Series E	2 per circuit
224XST-024*	Series C	3 per circuit
224XSTHI-024C	Series B	3 per circuit
225XST-I-024*	Series B	3 per circuit
FB24ST-024*	Series B	3 per circuit
FB24STHI-024C	Series C	3 per circuit
FB2PST-I-024*	Series B	3 per circuit
FSEX-24PM*-MOD	Series D	2 per circuit
FSEX-HI-MOD	Series D	2 per circuit

*Compatible with any color offered per model

HOW TO ORDER

Specify Model:

SSM – Synchronous Strobe Module