

# SOLUTIONS FOR CROWD CONTROL

FRESH FOOD



## Are you looking for a way to help control pedestrian traffic?

During these unprecedented times, businesses are focusing on ways to keep their customers and employees safe. Federal Signal's StreamLine® Modular Series can help manage foot traffic in and out of facilities. These modular devices can be customized with various visual, audible, and A/V StreamLine® Modular signals to communicate to employees and customers. These units can also be quickly re-configured in the field, so as process control needs change, StreamLine® Modular units can be easily changed and adapted to your application need.



# StreamLine®

Modular Series

All StreamLine® Modular products are ideal for indoor or outdoor applications in high foot traffic areas.

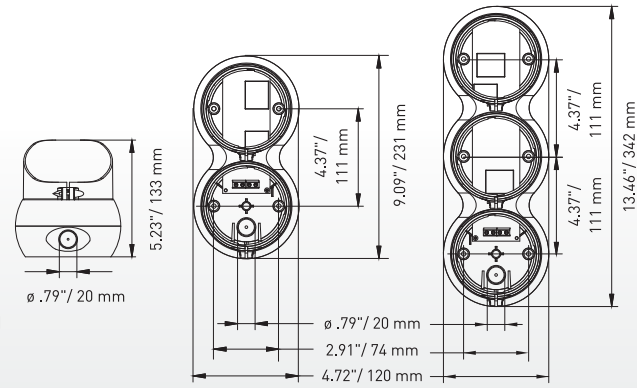
## SLMB3 and SLMB2



The StreamLine® Dock Light Base option is ideal for indoor or outdoor applications in high foot traffic areas including store fronts, office buildings, restaurants, parking garages, factories, and loading docks.

- Model SLMB2 is a 2-Stack Modular Base
- Model SLMB3 is a 3-Stack Modular Base
- Available in 24VAC/DC or 120-240VAC

Optional wall (SLMB23W) and 1/2" NPT pipe (SLMB23N) mounting options are sold separately. If additional side visibility is needed, the visors can be replaced with retaining rings (SLM-RR).



## Low Profile LED Beacon with Steady/ Flashing/Strobe Options

### SLM300 and SLM350



- Compatible with 12-24VAC/DC or 120-240VAC\*
- PLC compatible with PNP or NPN connections\*
- Available in five colors and includes three flash patterns:



- 50,000 hour LED
- Fresnel or opaque lens options
- Type 4X, IP66 enclosure
- IP69K\*\* compliant
- CE Certified
- UL and cUL listed

## Electronic Sounder

### SLM700



- Compatible with 12-24VAC/DC or 120-240VAC\*
- PLC compatible with PNP or NPN connections\*
- 2 channels included
- Choice of 64 selectable tones
- Adjustable volume between 55-95 dBA @ 10' (65-105 dBA @ 1M)
- Type 3R, IP65 enclosure

- CE Certified
- UL and cUL listed

## LED Combination Audible/ Visual Signal

### SLM500



- Compatible with 12-24VAC/DC or 120-240VAC\*
- PLC compatible with PNP or NPN connections\*
- 50,000 hour LED
- Available in five colors and includes three channels: (visual only, visual + tone 1, or visual + tone 2):



- 64 tone options produce 55-95 dBA @ 10' (65-105 dBA @ 1M)
- Type 3R, IP65 enclosure
- CE Certified
- UL and cUL listed

## Low Profile Multicolor Multipattern LED Beacon

### SLM1400 and SLM1450



- Compatible with 12-24VAC/DC or 120-240VAC\*
- PLC compatible with PNP or NPN connections\*
- 50,000 hour LED
- Choice of eight colors and five flash patterns per channel:



- Fresnel or opaque lens options
- Type 4X, IP66 enclosure
- IP69K\*\* compliant
- CE Certified
- UL and cUL listed

\* Base sold separately. Voltage and PLC connections are dependent on selected base. \*\* IP69K with select bases SLMB3, SLMB2, SLMBP and SLM-RR accessory.

THE FOLLOWING BASES  
**PERTAIN  
TO ALL 4**  
OF THESE MODELS



**SHALLOW**  
SLMBS



**DEEP**  
SLMBD



**WALL**  
SLMBW



**PIPE**  
SLMBP



**TWIN**  
SLMBT