



► Model EM3

SelecTone® Extension Module

Model EM3 SelecTone® Extension Module is designed to add multi-tone capability to an individual SelecTone unit and can be used with Models 50GC, 300, 300GC, and 302GC.

The die-cast aluminum alloy housing has the same dimensions as the main amplifier housing of the above mentioned models and is sealed with gray enamel paint. Model EM3's internal components are protected from the elements by dust- and moisture-proof seals.

Its internal components are a wiring terminal strip, edge connector slots for three Model UTM tone modules and a UL and cUL Listed connector board interface to connect to a SelecTone 300, 300GC, or 302GC signaling device. Model EM3 is not compatible with the TM33-SD Tone Module.

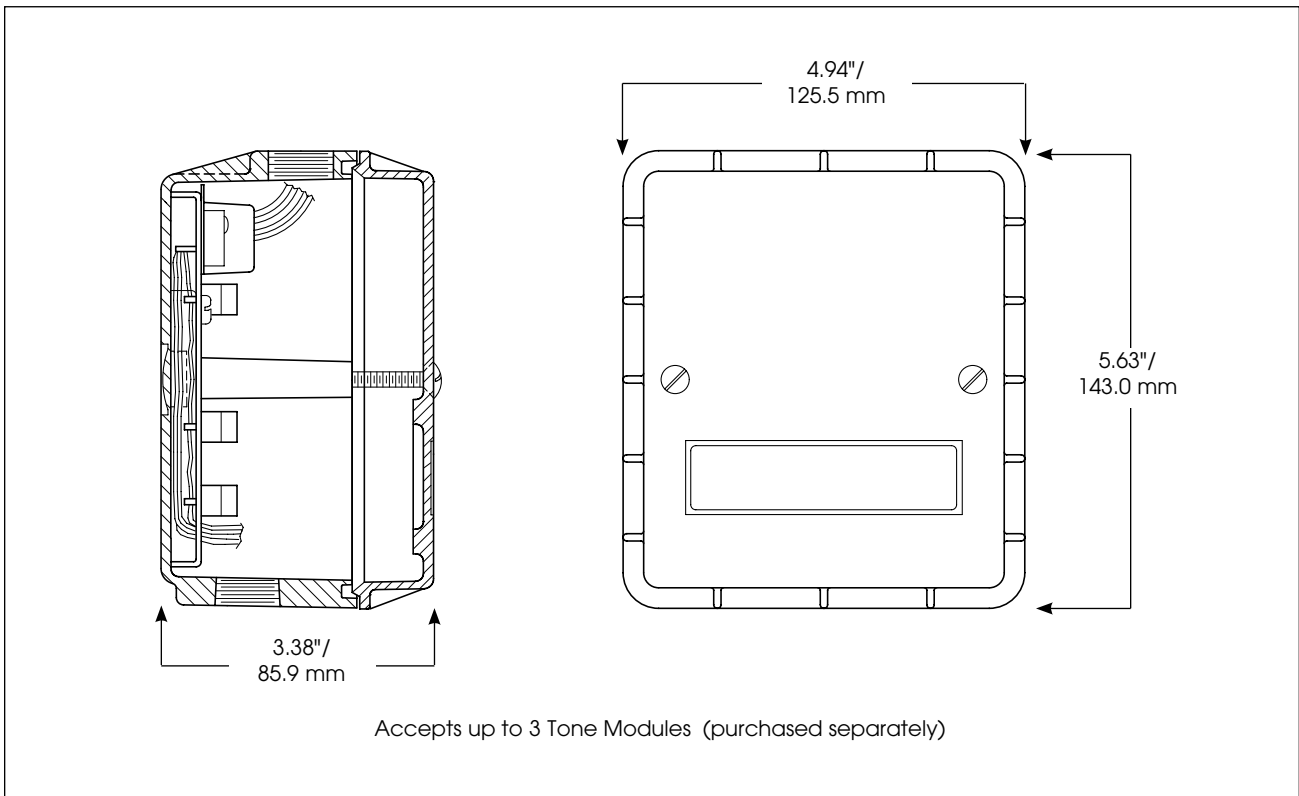
With model EM3, three functions can be simultaneously monitored rather than one. Tone activation and selection is accomplished by user-supplied, normally-open dry contacts.

Where voice communication is not necessary and the application requirements dictate up to three tone signals, model EM3 Extension Module allows a single SelecTone audible signal to fill those needs.

FEATURES

- Reliable solid-state circuitry
- Indoor/outdoor use
- No separate power supply required
- Can be mounted up to 100 feet away
- Produces three tones with the same speaker/amplifier
- Type 3R enclosure
- UL and cUL Listed connector board interface

SelecTone® Extension Module (EM3)



S P E C I F I C A T I O N S

Operating Temperature:	-31°F to 151°F	-35°C to 66°C
Net Weight:	1.0 lb	0.45 kg
Shipping Weight:	2.2 lbs	1.0 kg
Height:	5.63"	143.0 mm
Width:	4.94"	125.5 mm
Depth:	3.38"	85.9 mm

H O W T O O R D E R

Specify Model:

EM3 – Extension module, SelecTone®

Specify number of **UTM** – Universal Tone Modules, up to three