



► Model FC

# Siren Controller

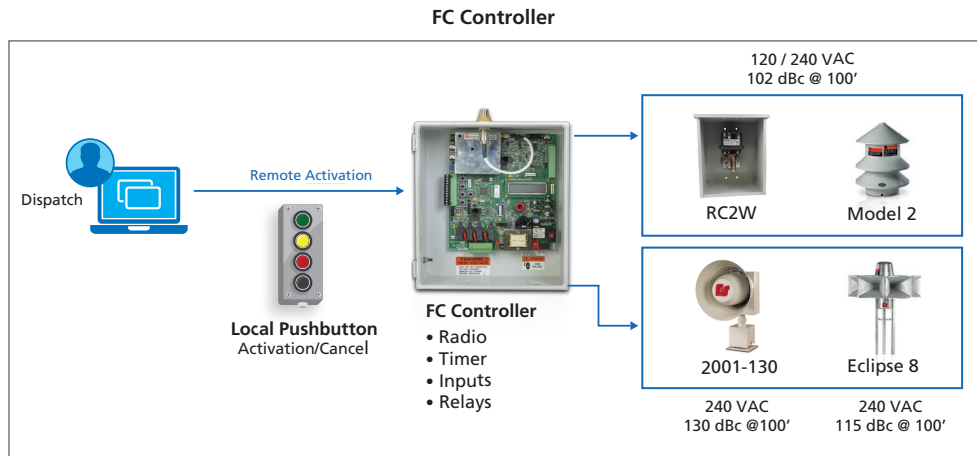
The FC Controller is a remote-control activation point for equipment control (such as electro-mechanical sirens) with relay outputs. Ideal for siren control applications and process' controlled via relay contacts. The FC Controller is equipped with a FCX Controller board which can be powered from 12VDC, 48VDC, 120VAC or 220VAC. The FCX Controller board is equipped with 4 relays to control devices such as siren contractors, overhead door controls, lights, beacons, sounders or railway equipment. The FCX Controller board has 4 inputs for use with external switches or contact closures, and can be programmed to activate the onboard relays and/or the audio from the FCM Plus Control board. The FCX Controller board has built-in siren tones that interface to PA or intercom systems. The audio can be activated through physical inputs or the built-in push buttons on the FCX Controller board. The FC is a compact NEMA 4 metal enclosure equipped with a latching and locking mechanism, removable lock not included. The enclosure has a ground stud and three pre-drilled holes for ease of use, and is equipped with a plug for the top RF hole and an AC lightning surge arrester.

Radios models available are FCH (high-band) and FCU (UHF) which include a synthesized radio receiver. Also available is FSPWARE, a software package that enables computer connection to modify supplied timing or to create unique on/off patterns for control of external equipment. Programming options via FSPWARE include radio receiver frequency, two-tone sequential tones/DTMF decoding digits for security, custom audible signal tones and independent control of output relays and timing patterns for electro-mechanical sirens. Up to six control codes may be programmed and activated through any combination of two-tone sequential, DTMF, EAS, POCSAG, or digital AFSK. Four of the timing sequences can be initiated using local push buttons or remotely through dry contact closures. The use of SFCD Software and SS2000+ allows remote control activation of multiple FC Controllers.

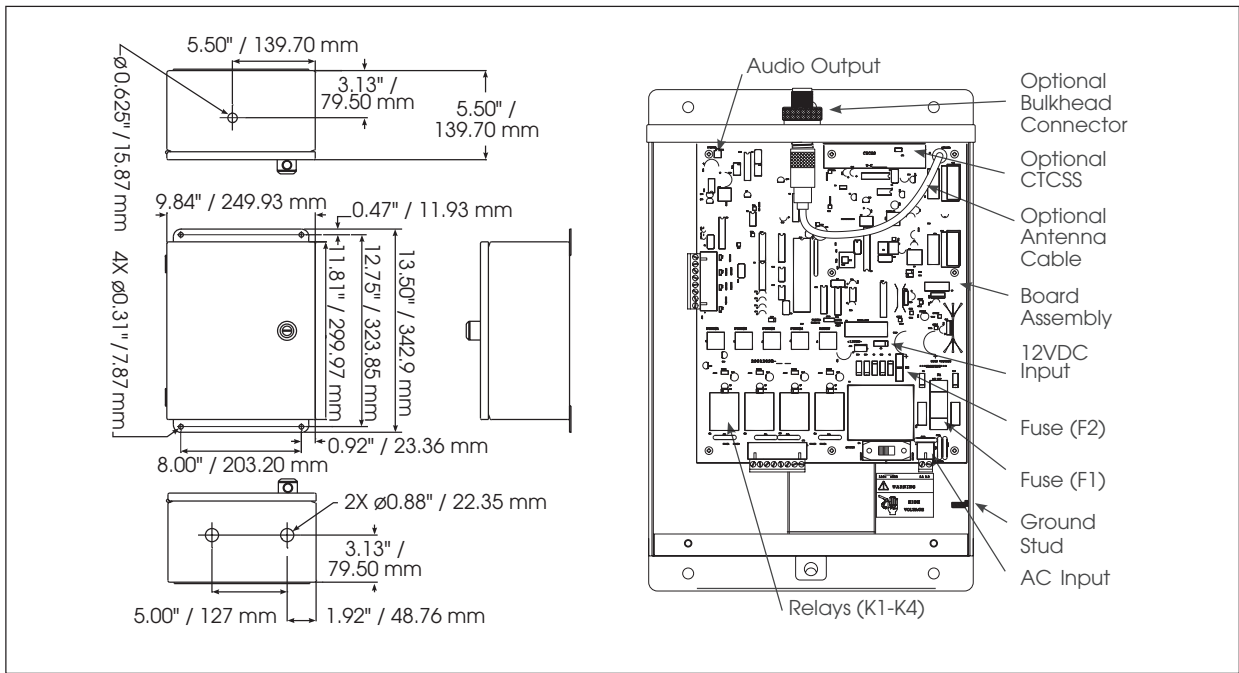
The Federal Controller is an ideal choice to control Eclipse8 and Model 2 siren series, radio activation of indoor PA systems, warning lights or various warning equipment, and fire house alerting applications.

## FEATURES

- One-way radio control available
- Simultaneous two-tone sequential, DTMF, EAS, POCSAG, and digital AFSK decoding for security
- Four individually programmable output relays
- Six built in siren tone signals for PA / Intercom
- External inputs / push buttons for local activation



# Siren Controller (FC)



## SPECIFICATIONS

AC Input Voltage:	120 or 240VAC $\pm 10\%$ , 60Hz
DC Input Voltage:	15-75VDC, 400mA max @ 48VDC 11-15VDC, 400mA max @ 12VDC
4 Relays, contact rating:	8A @ 120/240VAC 5A @ 24VDC
Number of remote activation inputs:	4
Audio Output:	0-2V peak to peak, maximum load 8 ohms
Environmental:	
Temperature	-22°F to 149°F / -30°C to 65°C
Humidity	0-98% non-condensing
Dimensions H x W x D:	13.5" x 10" x 6" (34.3 cm x 25.4 cm x 15.3 cm)
Net Weight:	12 lbs      5.4 kg
Shipping Weight:	13 lbs      5.9 kg

## HOW TO ORDER

Contact our Federal Signal Sales Engineers to design a system that meets your specific requirements.

Description	Part Number
Controller with FC Controller Board	<b>FC</b>
Controller with one-way high-band (150 - 174 MHz) radio receiver	<b>FCH</b>
Controller with one-way UHF band (450 - 470MHz) radio receiver	<b>FCU</b>

## OPTIONAL ACCESSORIES

Description	Part Number
Federal programming software (Non-digital applications)	<b>FSPWARE</b>
Tone Coded and Digital Coded Squelch Decode	<b>FS-PL1</b>
Outdoor NEMA 4 Push-button Panel	<b>PBS-4</b>
208-240VAC Transformer rectifier with 48VDC, 120VAC and contactors with enclosure	<b>2001-AC</b>
Motor starter/cabinet NEMA 3R 120VAC	<b>RC2W-120</b>
Motor starter/cabinet NEMA 3R 240VAC	<b>RC2W-240</b>
Model 2, 120VAC/DC Omni-directional Siren	<b>2-120</b>
Model 2, 240VAC/DC Omni-directional Siren	<b>2-240</b>
Model 2 Pole Mount	<b>PMS</b>

See Project 25 product on page 248 for optional P25 configuration accessories if desired

## REPLACEMENT PARTS

Description	Part Number
FC Control Board	<b>Q20000200D</b>
Radio Receiver High-Band	<b>Q2005240G-02</b>
Radio Receiver UHF Band	<b>Q2005240G-03</b>
Controller board only with one-way high-band (150 - 174 MHz) radio receiver	<b>Q-FCMH</b>
Q-FCMU Controller board only with one-way UHF band (450 - 470MHz) radio receiver	<b>Q-FCMU</b>