

**INSTRUCTION SHEET  
FOR  
MODEL SSK  
DIRECTIONAL STROBE KIT**

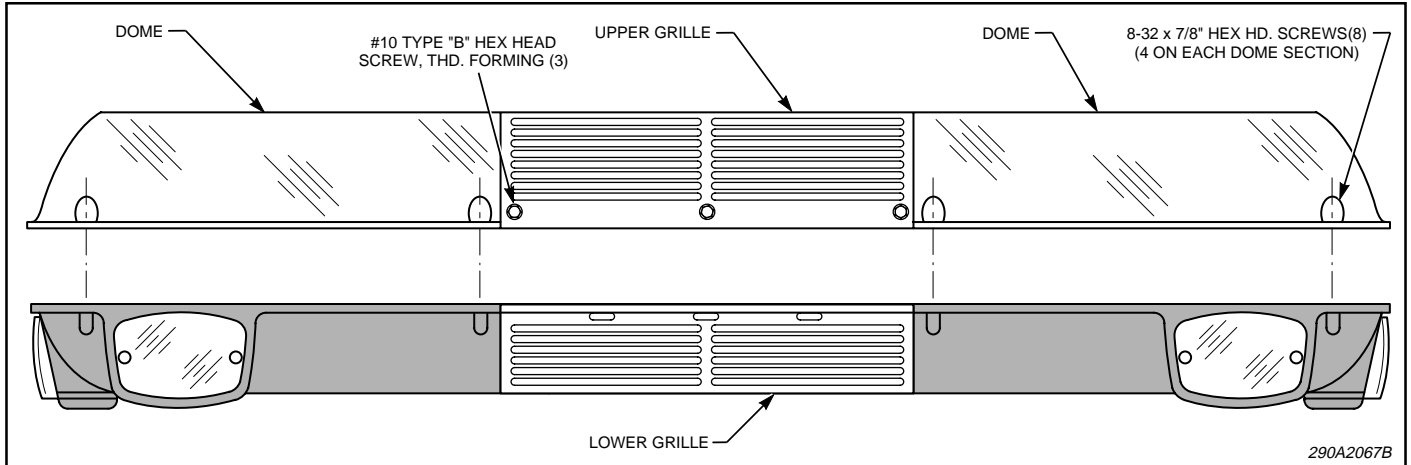


Figure 1.

**A. UNPACKING.**

After unpacking the strobe kit, inspect the components for damage that may have occurred in transit. If any component has been damaged, file a claim immediately with the carrier, stating the extent of damage. Carefully check all envelopes, shipping labels and tags before removing or destroying them.

Ensure that the parts listed in the KIT CONTENTS LIST (paragraph F.) are contained in the packing carton. Before proceeding, read this instruction sheet completely.

**WARNING**

High voltages are present in the strobe power supply and connection points within the light bar. Wait at least ten (10) minutes, after shutting off power, before attempting to service the light bar.

**NOTE**

The strobe power supply does not contain any user serviceable parts. Should a breakdown in the power supply occur, it should be returned to Federal for repair and replaced.

**B. DOME AND GRILLE REMOVAL (see figure 1).**

1. Turn-off power to Light Assembly.
2. Remove three (3) type "B" hex washer head thread-forming screws which secure the upper

speaker grille to the lower speaker grille. Lift upper grille away from lower grille.

3. Remove the eight (four on each side) #8-32 x 7/8 hex head screws from the front and rear edges of the dome.

4. Carefully remove the domes. Ensure that the bulkhead gasket remains in its proper position.

**C. INSTALLATION OF STATIONARY LIGHT ASSEMBLY (see figure 2).**

1. Secure the stationary light assembly to the pod with two (2) #10 x 1/2 hex washer head screws (supplied).
2. Fasten the light shield to the pod with two (2) #6 x 3/8 pan head screws (supplied).
3. Connect the ground wire and lamp wire as shown in figure 3. When installing the lamp, do not touch glass portion. If glass end has been handled, it should be carefully cleaned with a grease solvent.
4. Perform installation procedure on other side of light (if applicable).

**D. INSTALLATION OF J30 STROBE POWER SUPPLY (see figure 2).**

1. Remove the four hex head screws from the Light Assembly pod as shown in figure 2.

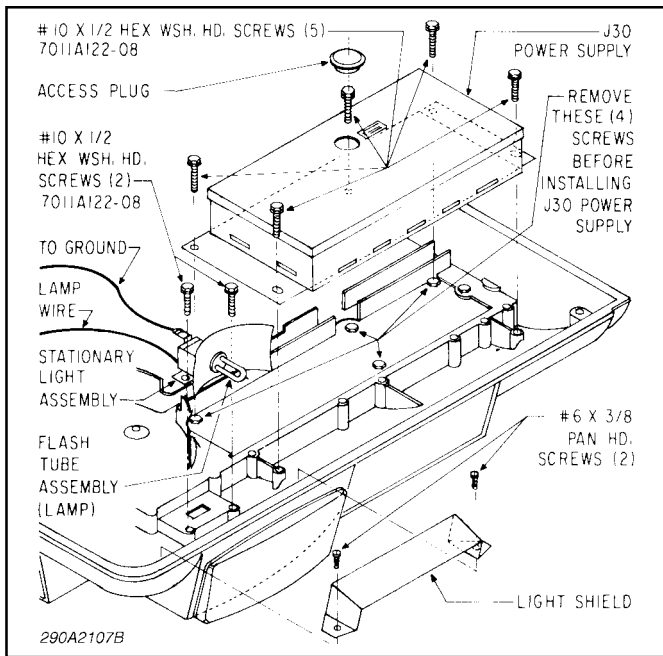


Figure 2.

2. Remove the access plug from the top cover of the power supply.

3. Secure the power supply with five (5) #10 x 1/2 hex washer head screws (supplied). Note that access to one of the screws is via the hole at the top of the power supply cover.

4. Connect the four (4) wires from the power supply to the applicable terminals shown in figure 3.

5. Set jumper in proper position for one or two lamp operation (see figure 4). The jumper can be easily repositioned by inserting longnose pliers through the access hole, grasping the jumper and pulling up. Place jumper in proper position.

6. Replace access plug in top cover.

### E. REPLACEMENT OF DOME AND GRILLE.

Reverse the procedure described in B. 1, 2, 3, and 4. Torque dome screws to 14-18 in./lbs. and grille screws to 20-25 in./lbs.

### F. KIT CONTENTS LIST.

Qty.	Description	Part No.
1	Power Supply J30	8559C100A
2	Stationary Light Assy.	8559A052A
2	Flash Tube Assy.	8107A127
9	Screw, #10 x 1/2, Hex. Wsh. Hd.	7011A122-08

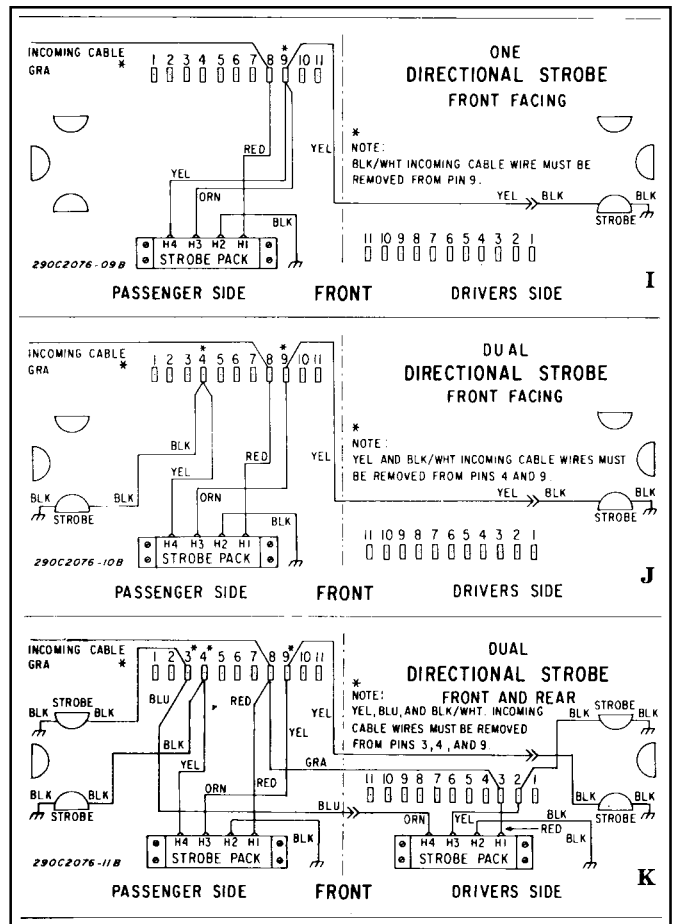


Figure 3.

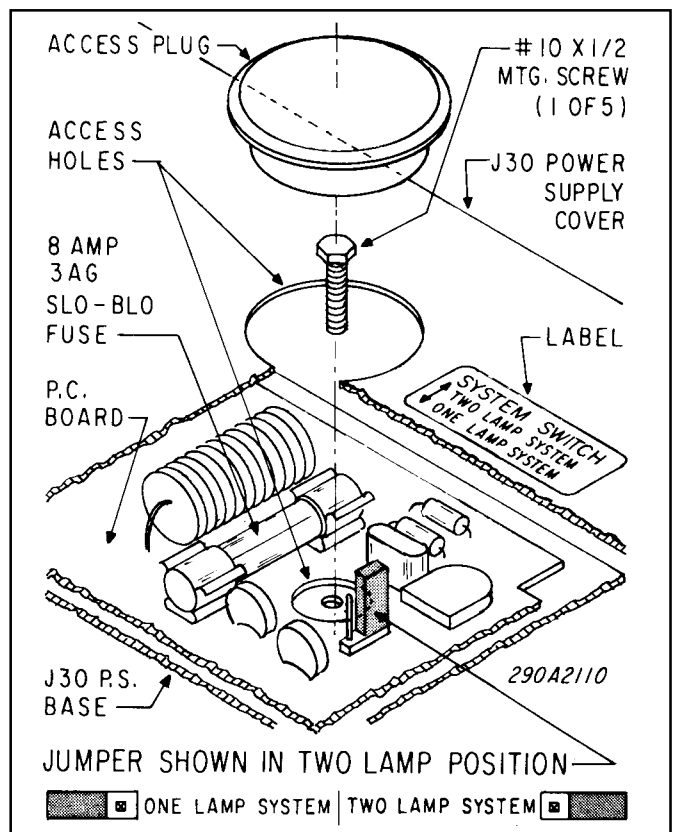


Figure 4.