

25500356 Rev. A0 0816

Safety Message to Installers of Siren Speakers

⚠ WARNING

People's lives depend on your proper installation and servicing of Federal Signal products. It is important to read and follow all instructions shipped with this product and the original product. Listed below are some other important safety instructions and precautions you should follow:

Before Installation

Qualifications

- To properly install an electronic siren, you must have a good understanding of automotive electrical procedures and systems, along with proficiency in the installation and service of safety warning equipment. Always refer to the vehicle's service manuals when installing equipment on a vehicle.

Sound Hazards

- Your hearing and the hearing of others, in or near your emergency vehicle, could be damaged by loud sounds. This can occur from short exposures to very loud sounds, or from longer exposures to moderately loud sounds. For hearing conservation guidance, refer to federal, state, or local recommendations. OSHA Standard 1910.95 offers guidance on "Permissible Noise Exposure."
- All effective sirens and horns produce loud sounds (120 dB) that may cause permanent hearing loss. Always minimize your exposure to the sound of the siren or horn and wear hearing protection. Do not sound the siren or horn indoors or in enclosed areas where you and others will be exposed to the sound.
- Federal Signal siren amplifiers and speakers are designed to work together as a system. Combining a siren and speaker from different manufacturers may reduce the warning effectiveness of the siren system and may damage the components. You should verify or test your combination to make sure the system works together properly and meets federal, state and local standards or guidelines.

During Installation

- DO NOT get metal shavings inside the product. Metal shavings can cause the system to fail. If drilling must be done near the unit, place an ESD-approved cover over the unit to prevent metal shavings from entering the unit. Inspect the unit after mounting to be sure there are no shavings present in or near the unit.
- To avoid a battery explosion, always disconnect the negative battery cable first and reconnect it last. Avoid causing a spark when connecting near or to the battery. The gases produced by a battery can cause a battery explosion that could result in vehicle damage and serious injury.
- DO NOT connect this system to the vehicle battery until ALL other electrical connections are made, mounting of all components is complete, and you have verified that no shorts exist. If wiring is shorted to the vehicle frame, high current conductors can cause hazardous sparks resulting in electrical fires or flying molten metal.
- Be sure the siren amplifier and speaker(s) in your installation have compatible wattage ratings.

Mounting Instructions for Rumbler Speakers in a 2016 Dodge RAM

- In order for the electronic siren to function properly, the ground connection must be made to the NEGATIVE battery terminal.
- Sound output will be severely reduced if any objects are in front of the speaker. If maximum sound output is required for your application, you should ensure that the front of the speaker is clear of any obstructions.
- Install the speaker(s) as far forward on the vehicle as possible, in a location that provides maximum signaling effectiveness while minimizing the sound reaching the vehicle's occupants. Refer to the National Institute of Justice guide 500-00 for further information.
- Sound propagation and warning effectiveness will be severely reduced if the speaker is not facing forward. Carefully follow the installation instructions and always install the speaker with the projector facing forward.
- DO NOT install the speaker(s) or route the speaker wires where they may interfere with the operation of airbag sensors.
- If a vehicle seat is temporarily removed, verify with the vehicle manufacturer if the seat needs to be recalibrated for proper airbag deployment.
- Installation of two speakers requires that you wire the speakers in phase.
- Never attempt to install aftermarket equipment, which connects to the vehicle wiring, without reviewing a vehicle wiring diagram, which is available from the vehicle manufacturer. Insure that your installation will not affect vehicle operation and safety functions or circuits. Always check vehicle for proper operation after installation.
- DO NOT install equipment or route wiring or cord in the deployment path of an airbag.
- Locate the control head so the vehicle, controls, and microphone can be operated safely.
- When drilling into a vehicle structure, be sure that both sides of the surface are clear of anything that could be damaged.
- If a vehicle seat is temporarily removed, verify with the vehicle manufacturer if the seat needs to be recalibrated for proper airbag deployment.

After Installation

- After installation, test the siren system and light system to ensure that it is operating properly.
- Test all vehicle functions, including horn operation, vehicle safety functions and vehicle light systems, to ensure proper operation. Ensure that installation has not affected vehicle operation or changed any vehicle safety function or circuit.
- After testing is complete, provide a copy of these instructions to the instructional staff and all operating personnel.
- File these instructions in a safe place and refer to them when maintaining or reinstalling the product.

Failure to follow all safety precautions and instructions may result in property damage, serious injury, or death.

Introduction

The RB-RAM16 is a mounting kit for the Federal Signal Rumbler low-frequency signaling system. This kit mounts both speakers to the front frame of the 2016 RAM.

Unpacking the Kit

After unpacking the kit, inspect it for damage that may have occurred in transit. If it has been damaged, do not attempt to install or operate it. File a claim immediately with the carrier, stating the extent of damage. Carefully check all envelopes, shipping labels, and tags before removing or destroying them. Ensure that the parts in the Kit Contents List are included in the package. If you are missing any parts, contact Customer Support at 1-800-264-3578, 7 a.m. to 5 p.m., Monday through Friday (CT). Disposal of all shipping materials must be carried out in accordance with national and local codes and standards.

Table 1 Kit contents

Qty.	Description	Part Number
1	Bracket, Driver Side, RAM16	828301745-DS
1	Bracket, Passenger Side, RAM16	828301745-PS
6	Screw, #14, Hex Washer-Head, TEK	7011243-16
6	1/4" Lockwasher	7074A016

Installing the Brackets

⚠ WARNING

INSTALL SPEAKER AWAY FROM FUEL TANK AND FUEL LINES: Do not install the speaker near the fuel tank or fuel lines. Installing the speaker too close to fuel line/tank areas may cause fuel leakage or a fire during a vehicle collision, causing personal injury or death.

⚠ WARNING

MOUNTING PRECAUTIONS: To avoid reducing the sound output and damaging the speaker, ensure that the speaker is mounted with the wires protruding from the bottom of the speaker. Failure to follow this warning may cause serious injury or death.

⚠ WARNING

SPEAKER MOUNTING PRECAUTION: To avoid reducing the sound output and damaging the speaker, ensure that the speaker is mounted with the slots facing the ground.

⚠ WARNING

USE ONLY WITH RUMBLER AMPLIFIER: This speaker is designed to only be used with the Rumbler Amplifier. Do not connect this speaker directly to a standard electronic siren. Connecting this speaker directly to a standard electronic siren will greatly reduce the effectiveness of the siren signal. When installing this speaker, always refer to the Rumbler low frequency amplifier installation and operating instructions (part no. 2562420) for more detailed information about the siren system and how to install, service and operate the system safely. Instruction manuals are available for viewing or download at www.fedsig.com. Failure to follow all safety precautions and instructions may result in property damage, serious injury, or death.

NOTICE

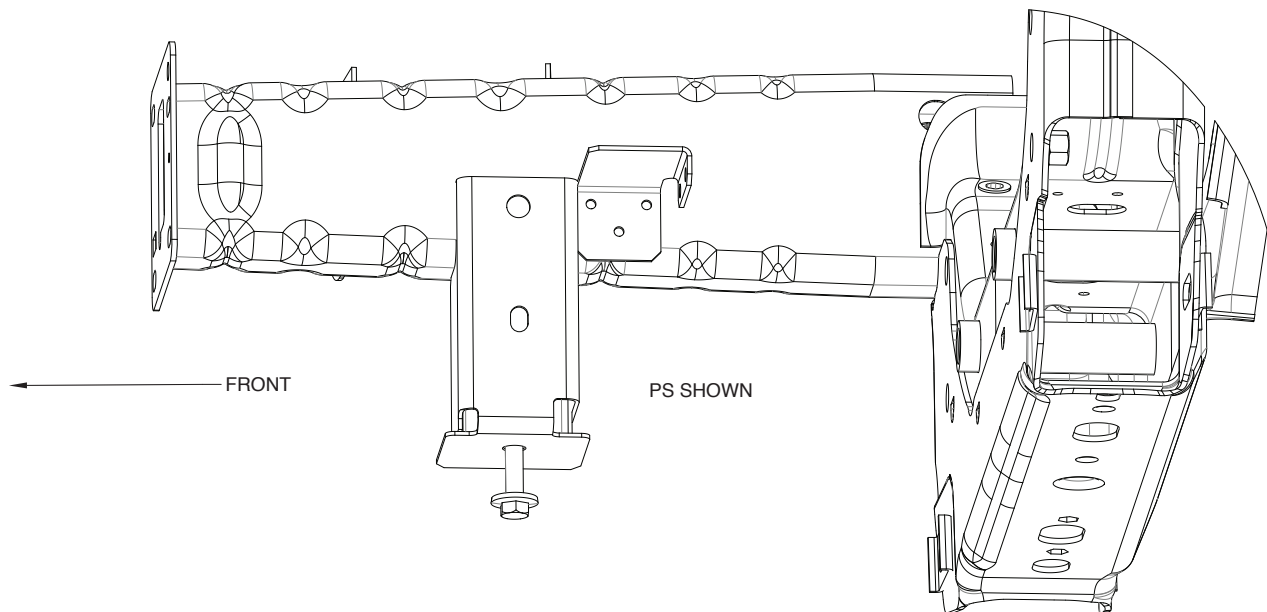
DRILLING PRECAUTIONS: Before drilling holes, check the area you are drilling into to be sure you do not damage vehicle components while drilling. All drilled holes should be de-burred and all sharp edges should be smoothed. All wire routings going through drilled holes should be protected by a grommet or convolute/split loom tubing.

Installing the Speakers

To install the speakers:

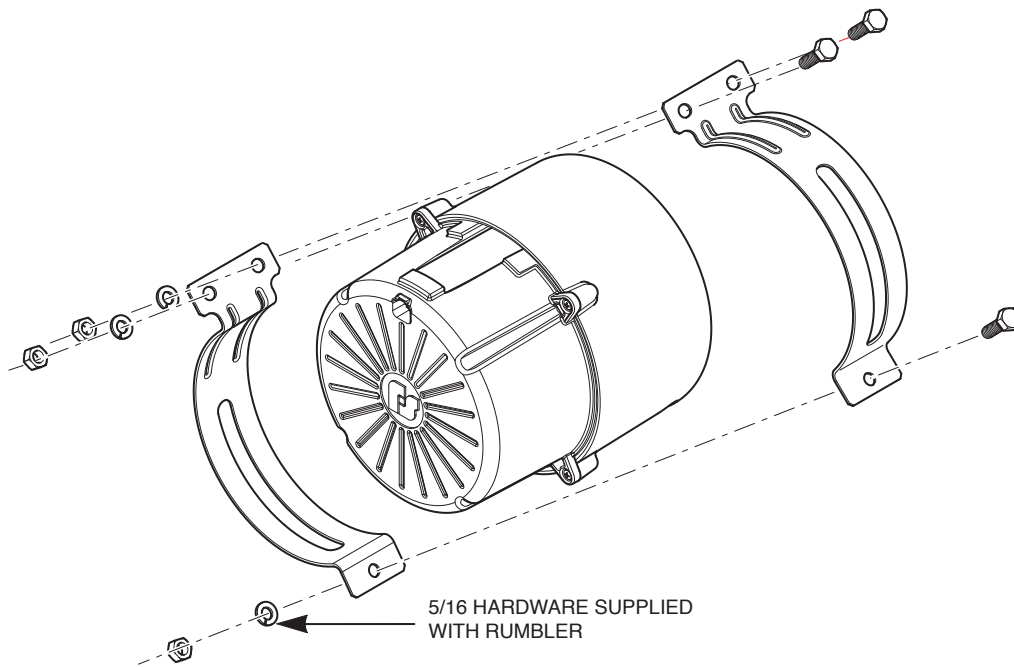
1. See Figure 1. Using the bracket as a template, position the bracket inside the frame rail, adjacent to the upright. The top of the bracket is even with the top of the upright. The flange for the rumbler goes toward the rear. Mark the three mounting holes.
2. Drill the marked holes with a 13/64" drill.
3. See Figure 1. Install the bracket with three #14 screws and lockwashers. Do not over tighten.

Figure 1 Bracket position



4. Secure the bands to the brackets with the 1-1/4" long, 5/16" bolts, nuts, and lockwashers supplied with the Rumbler.
5. See Figure 2. With the Rumbler logo toward the center of the vehicle, slide a speaker into the bands.

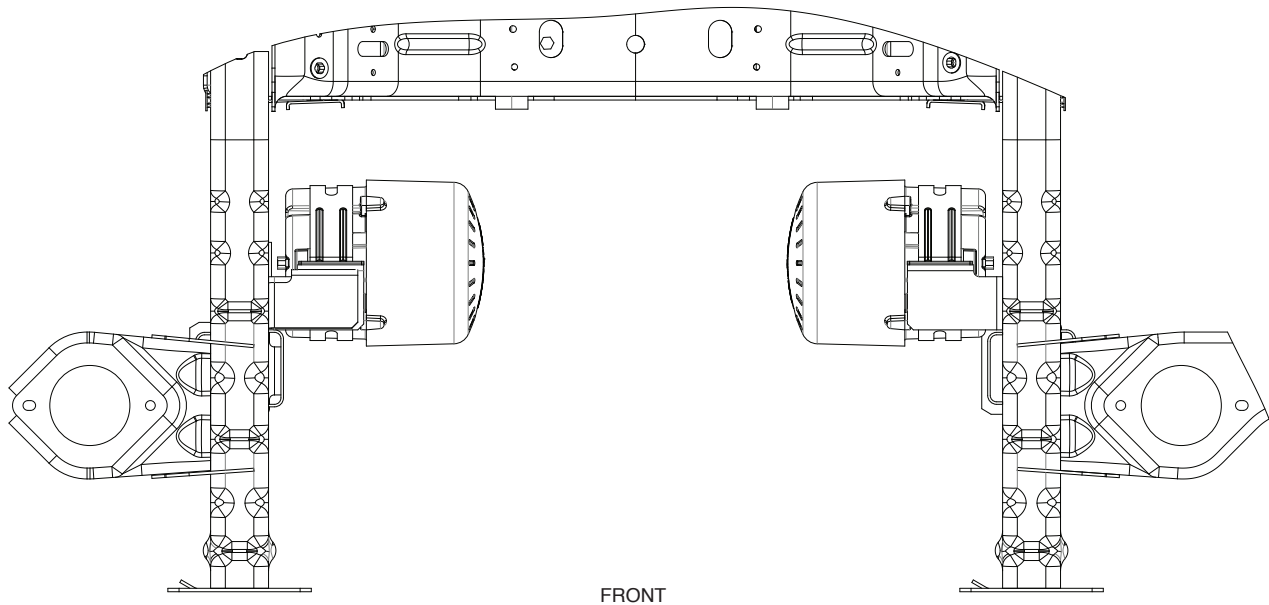
Figure 2 Exploded view of brackets securing a Rumbler speaker



6. Secure the speaker in the bands with the 5/16" hardware supplied with it.
7. Repeat Steps 1 through 6 for the other side.

Figure 3 Rumbler Installed

TOP VIEW



8. After you mount the speakers, connect the supplied wire harness to the leads from the amplifier. For details, refer to the instructions included with the amplifier.

⚠ WARNING

SOUND HAZARD: All effective sirens and horns produce loud sounds (120 dB) that may cause permanent hearing loss. Always minimize your exposure to siren sound and wear hearing protection. Do not sound siren indoors or in enclosed areas where you and others will be exposed to the sound.

9. Test the siren for proper operation.

Getting Technical Support

For technical support, please contact:
Federal Signal Corporation
Service Department
Phone: 1-800-433-9132
Fax: 1-800-343-9706
Email: empserviceinfo@fedsig.com

Getting Repair Service

The Federal Signal factory provides technical assistance with any problems that cannot be handled locally.

Any units returned to Federal Signal for service, inspection, or repair must be accompanied by a Return Material Authorization (RMA). Obtain a RMA from a local Distributor or Manufacturer's Representative.

Provide a brief explanation of the service requested, or the nature of the malfunction.

Address all communications and shipments to the following:

Federal Signal Corporation
Service Department
2645 Federal Signal Dr.
University Park, IL 60484-3167

Ordering Replacement Parts

To order replacement parts, call Customer Support at 1-800-264-3578, 7 AM to 5 PM, Monday through Friday (CT) or contact your nearest distributor.



2645 Federal Signal Drive, University Park, IL 60484-3167
Phone: 708-534-3400 • 800-264-3578 • Fax: 800-682-8022
www.fedsig.com

© Copyright 2016 Federal Signal Corporation
Dodge is registered trademark of FCA US LLC.
Rumbler is a registered trademark of Federal Signal Corp.