



**FEDERAL SIGNAL**  
Safety and Security Systems

# QuadraFlare

## LED Scene Light

---

### ***Installation and Maintenance Instructions***

## Limited Warranty

This product is subject to and covered by a limited warranty, a copy of which can be found at [www.fedsig.com/SSG-Warranty](http://www.fedsig.com/SSG-Warranty). A copy of this limited warranty can also be obtained by written request to Federal Signal Corporation, 2645 Federal Signal Drive, University Park, IL 60484, email to [info@fedsig.com](mailto:info@fedsig.com) or call +1 708-534-3400.

This limited warranty is in lieu of all other warranties, express or implied, contractual or statutory, including, but not limited to the warranty of merchantability, warranty of fitness for a particular purpose and any warranty against failure of its essential purpose.



**FEDERAL SIGNAL**  
Safety and Security Systems

2645 Federal Signal Drive  
University Park, Illinois 60484

[www.fedsig.com](http://www.fedsig.com)

Customer Support

Police/Fire-EMS: 800-264-3578 • +1 708 534-3400

Work Truck: 800-824-0254 • +1 708 534-3400

Technical Support 800-433-9132 • +1 708 534-3400

All trademarks are property of their respective owners.

---

## Contents

Safety Messages to Installers .....	4
Safety Message to Operators .....	5
Overview of the Light .....	6
Unpacking the Light .....	6
Mounting the Light .....	7
Wiring the Light .....	10
Cleaning the Lenses.....	11
Getting Technical Support and Service.....	11
Getting Repair Service .....	12
Ordering Replacement Parts .....	12

## Tables

Table 1 Kit contents.....	6
Table 2 Legend for Figure 1.....	8
Table 3 Hole patterns (in inches) .....	9
Table 4 Replacement parts .....	12

## Figures

Figure 1 Exploded view of scene light .....	8
Figure 2 Exploded view with trim ring and trim ring gasket .....	9
Figure 3 Dimensions of mounting holes on vehicle .....	9
Figure 4 Rear of 6 X 4 scene light base.....	10

## **Safety Messages to Installers**

### **⚠ WARNING**

People's lives depend on your safe installation of our products. It is important to read, understand and follow all instructions shipped with the products. Listed below are some other important safety instructions and precautions you should follow:

- To properly install this light, you must have a good understanding of automotive electrical procedures and systems, along with proficiency in the installation and use of safety warning equipment.
- DO NOT install equipment or route wiring or cord in the deployment path of an airbag.
- If a vehicle seat is temporarily removed, verify with the vehicle manufacturer if the seat needs to be recalibrated for proper airbag deployment.
- When drilling into a vehicle structure, ensure that both sides of the surface are clear of anything that could be damaged.
- Locate the light control so the VEHICLE and CONTROL can be operated safely under all driving conditions.
- Do not attempt to activate or deactivate light control while driving in a hazardous situation.
- This product contains high intensity LED devices. To prevent eye damage, DO NOT stare into the light at close range.
- After testing is complete, provide a copy of these instructions to the instructional staff and all operating personnel.
- Frequently inspect the light to ensure that it is operating properly and that it is securely attached to the vehicle.
- File these instructions in a safe place and refer to them when maintaining and/or reinstalling the product.

Failure to follow all safety precautions and instructions may result in property damage, serious injury, or death.

## **Safety Message to Operators**

### **⚠ WARNING**

Peoples' lives depend on your safe use of our products. It is important to read, understand and follow all instructions shipped with the products. Listed below are some important safety instructions and precautions you should follow:

- This light does not comply with warning light standards. Do not use this light as a warning light.
- Although your warning system is operating properly, it may not be completely effective. People may not see or heed your warning signal. You must recognize this fact and continue to drive cautiously.
- Situations may occur which obstruct your warning signal when natural or manmade objects are between your vehicle and others, such as raising your hood or trunk lid. If these situations occur, be especially careful.
- This product contains high intensity LED devices. To prevent eye damage, DO NOT stare into the light beam at close range.
- At the start of your shift, ensure that the light is securely attached and operating properly.

Failure to follow these safety precautions may result in property damage, serious injury, or death.

### Overview of the Light

The QuadraFlare LED Scene Lights are self-contained, high-intensity LED light designed for mounting to the exterior of a vehicle. The QuadraFlare LED Scene Lights are designed for operation on 12/24 Vdc. With the latest in Solaris® LED technology, the scene light focuses lighting around the perimeter of the vehicle without using angled bezels.

### Features

- Surface mounted LED scene light.
- Solaris LED Technology provides focused perimeter lighting without using angled bezel.
- QuadraFlare LED Scene Light is “instant-on” and does not require warm-up time.
- Industry Standard mounting and dimensions.
- Five-year warranty on LED components.
- Optional chrome-plated bezel available.
- Suitable for use in NFPA 1901 or GSA K-Spec compliant packages

### Unpacking the Light

After unpacking the light, inspect it for damage that may have occurred in transit. If it has been damaged, do not attempt to install or operate it. File a claim immediately with the carrier, stating the extent of damage. Carefully check all envelopes, shipping labels, and tags before removing or destroying them. Ensure that the parts listed in Table 1 are included in the package. If you are missing any parts, contact Customer Support at 1-800-264-3578, 7 a.m. to 5 p.m., Monday through Friday (CT).

**Table 1 Kit contents**

Qty.	Description	Part Number
4	#6-32 2-inch Screw	70000A404-32
4	Rubber Rivet Nuts	70900417

## Mounting the Light

### **NOTICE**

**LIGHT DAMAGE:** When installing the light, you **MUST** use the manufacturer's supplied mounting gasket, screws, and screw grommets. Do not use an impact drill or electric screw gun when installing the light. Torque the mounting screws to 10 in-lb +/-10%. Failure to adhere to these precautions will damage the scene light and void any warranty claims for the light.

### **⚠ WARNING**

**AIRBAG DEPLOYMENT:** Do not install equipment or route wiring in the deployment path of an airbag. Failure to observe this warning will reduce the effectiveness of the airbag or potentially dislodge the equipment, causing serious injury or death.

Before proceeding, determine the approximate location of the light assembly and plan all cable/wire routing.

**IMPORTANT:** For maximum coverage and effectiveness, the light assembly must be mounted in a horizontal orientation. See Figure 1 on page 8.

To mount the scene light:

1. Position the light assembly on the mounting surface. Ensure that the light is level side to side.
2. Using the dimensions provided in Figure 2 on page 9, scribe the four mounting hole locations and a wiring routing hole location on the mounting surface.

### **NOTICE**

**DRILLING PRECAUTIONS:** When drilling holes, check the area you are drilling into to ensure that you do not damage vehicle components while drilling. All drilled holes should be de-burred, and all sharp edges should be smoothed. All wire routings going through drilled holes should be protected by a grommet or convolute/split loom tubing.

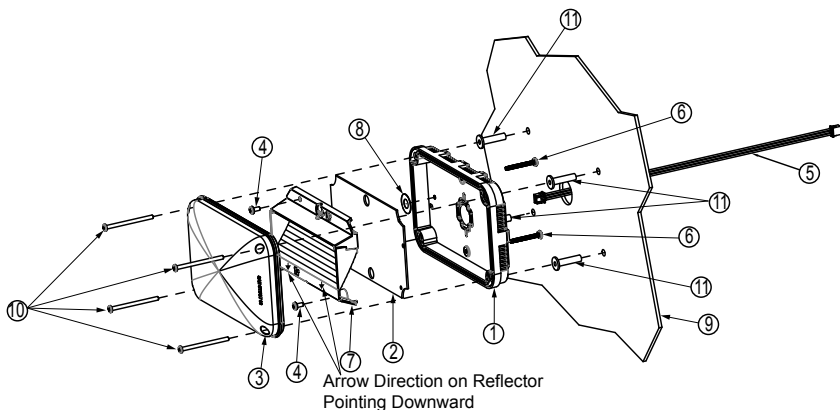
3. Drill four 1/4-inch mounting holes and a 1-inch wire routing hole at the scribed locations.

## Mounting the Light

4. Install the four supplied screw grommets into the four 1/4-inch mounting holes.
5. Complete the electrical connections as described in “Wiring the Light” on page 10.

Align the light assembly with the mounting screw grommets and secure it with the provided #6-32 by 2-inch stainless steel screws. Be sure to mount the light with the arrows on the reflector pointing down. See Figure 1.

**Figure 1 Exploded view of scene light (QL64 shown)**



**Table 2 Legend for Figure 1**

Item	Qty	Description
1	1	Base with Gasket
2	1	PCBA LED Scene
3	1	Clear, Smooth Lens
4	2	#6-32 Screw
5	1	3-Position QuadraFlare Harness
6	2	#6 Plastic Truss Head Screw
7	1	LED Scene Reflector
8	1	Membrane Vent
9	--	Vehicle Mounting Surface
10	4	Mounting Screws
11	4	Molded Mounting Rivet Nut



Figure 2 Exploded view with trim ring and trim ring gasket (QL64 shown)

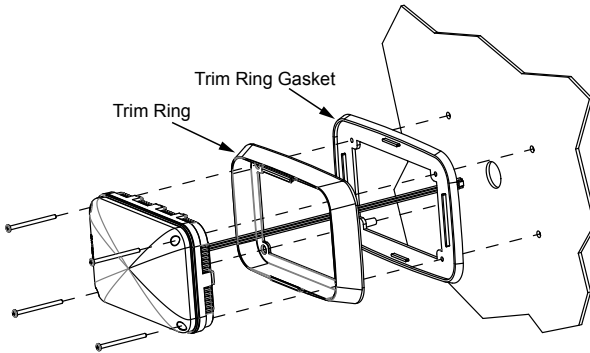
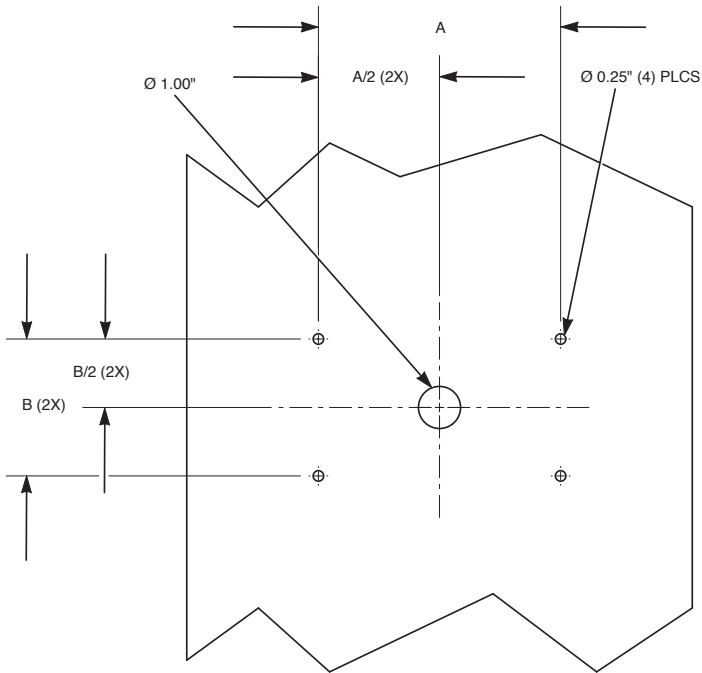


Figure 3 Dimensions of mounting holes on vehicle

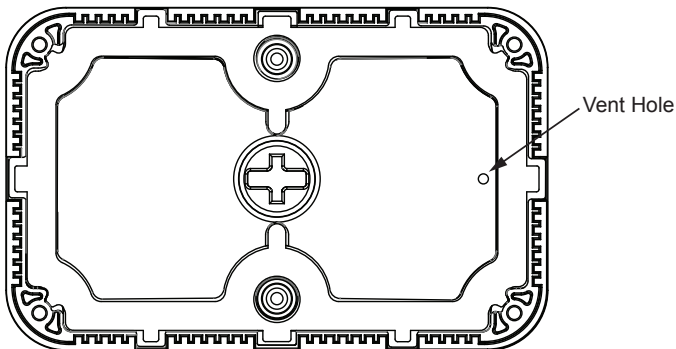


290A5511-02

Table 3 Hole patterns (in inches)

Nominal Size	A	A/2	B	B/2
6 X 4	5.75	2.875	3.25	1.625
7 X 3	6.562	3.281	2.375	1.188

Figure 4 Rear of 6 X 4 scene light base



### Wiring the Light

The light assembly operates on 12/24 Vdc. Two 12-inch long lead wires are supplied for making electrical connections to the light assembly.

Use 18 AWG (minimum) wire. Ensure that all wires are properly connected and insulated appropriately. Use with a 1 A fuse.

#### **⚠ WARNING**

**LIGHT HAZARD:** *To be an effective warning device, an emergency warning system produces bright light that can be hazardous to your eyesight when viewed at a close range. Do not stare directly into this lighting product at a close range, or permanent damage to your eyesight may occur.*

To wire the scene light:

1. Connect the red (+) lead to the positive power source terminal
2. Connect the black (-) lead to the negative power source terminal.
3. Apply power and test the light for proper operation.

## Cleaning the Lenses

**⚠ WARNING**

***CRAZING HAZARD: Crazed, cracked, or faded domes or reflectors reduce the light output and the effectiveness of the lighting system. Tops or reflectors showing this type of aging must be replaced. Failure to follow this warning may result in bodily injury or death to you or others.***

**⚠ WARNING**

***CLEANING SOLUTION WARNING: The use of cleaning solutions, such as strong detergents, solvents, and petroleum products, can cause crazing (cracking) of the domes and reflectors. Failure to follow this warning can damage the domes and reflectors and may result in bodily injury or death to you or others.***

Clean the lens with a soft cloth and a solution of water and a mild soap. If fine scratches or a haze appear on the lens, remove them with a non-abrasive, high quality, one-step, automotive paste cleaner/wax and a soft cloth.

## Getting Technical Support and Service

For technical support and service, please contact:

Service Department  
Federal Signal Corporation  
Phone: 1-800-433-9132  
Email: [empserviceinfo@fedsig.com](mailto:empserviceinfo@fedsig.com)

## Ordering Replacement Parts

---

### Getting Repair Service

The Federal Signal factory provides technical assistance with any problems that cannot be handled locally.

Any units returned to Federal Signal for service, inspection, or repair must be accompanied by a Return Material Authorization (RMA). Obtain a RMA from a local Distributor or Manufacturer's Representative.

Provide a brief explanation of the service requested, or the nature of the malfunction.

Address all communications and shipments to the following:

Federal Signal Corporation  
Service Department  
2645 Federal Signal Drive  
University Park, IL 60484-3167

### Ordering Replacement Parts

To order replacement parts, call Customer Support at 1-800-264-3578, 7 a.m. to 5 p.m., Monday through Friday (CT) or contact your nearest distributor.

**Table 4 Replacement parts**

Description	Part Number
Mounting Screw, #6 x 1-1/2 in	7011205-24
Screw Grommet	7065073
7 X 3 Lens	801201545-02
6 x 4 Lens	801200983-02
7 X 3 Optional Chrome Bezel with Gasket	QL73MC
6 X 4 Optional Chrome Bezel with Gasket	QL64MC



## FEDERAL SIGNAL

### Safety and Security Systems

2645 Federal Signal Drive  
University Park, Illinois 60484

[www.fedsig.com](http://www.fedsig.com)

Customer Support

Police/Fire-EMS: 800-264-3578 • +1 708 534-3400

Work Truck: 800-824-0254 • +1 708 534-3400

Technical Support 800-433-9132 • +1 708 534-3400