



**FEDERAL SIGNAL**  
Safety and Security Systems

**QuadraFlare®**  
**Model QL73LEDSCENE**  
**7x3 LED Scene Light**

---

***Installation and  
Maintenance Instructions***

## Limited Warranty

This product is subject to and covered by a limited warranty, a copy of which can be found at [www.fedsig.com/SSG-Warranty](http://www.fedsig.com/SSG-Warranty). A copy of this limited warranty can also be obtained by written request to Federal Signal Corporation, 2645 Federal Signal Drive, University Park, IL 60484, email to [info@fedsig.com](mailto:info@fedsig.com) or call +1 708-534-3400.

This limited warranty is in lieu of all other warranties, express or implied, contractual or statutory, including, but not limited to the warranty of merchantability, warranty of fitness for a particular purpose and any warranty against failure of its essential purpose.



## **FEDERAL SIGNAL** Safety and Security Systems

2645 Federal Signal Drive  
University Park, Illinois 60484

[www.fedsig.com](http://www.fedsig.com)

Customer Support

Police/Fire-EMS: 800-264-3578 • +1 708 534-3400

Work Truck: 800-824-0254 • +1 708 534-3400

Technical Support 800-433-9132 • +1 708 534-3400

All trademarks are property of their respective owners.

---

## Contents

Safety Messages to Installers .....	4
Overview of the Light.....	5
Unpacking the Light.....	6
Precautions for Installing the Light .....	6
Mounting the Light .....	7
Wiring the Light .....	11
Cleaning the Lenses.....	12
Safety Message to Operators .....	13
Ordering Replacement Parts .....	14
Getting Technical Support and Service.....	15
Getting Repair Service.....	15

## Tables

Table 1 Kit contents.....	6
Table 2 Legend for Figure 1.....	9
Table 3 Replacement parts .....	14

## Figures

Figure 1 Exploded view of scene light .....	9
Figure 2 Dimensions of mounting holes on vehicle .....	10
Figure 3 Interior of scene light base.....	10

### **Safety Messages to Installers**

#### **⚠ WARNING**

People's lives depend on your safe installation of our products. It is important to read, understand, and follow all instructions shipped with the products. Listed below are some other important safety instructions and precautions you should follow:

- To properly install this light, you must have a good understanding of automotive electrical procedures and systems, along with proficiency in the installation and use of safety warning equipment.
- DO NOT install equipment or route wiring or cord in the deployment path of an airbag.
- If a vehicle seat is temporarily removed, verify with the vehicle manufacturer if the seat needs to be recalibrated for proper airbag deployment.
- When drilling into a vehicle structure, ensure that both sides of the surface are clear of anything that could be damaged.
- Locate the light control so the VEHICLE and CONTROL can be operated safely under all driving conditions.
- Do not attempt to activate or deactivate light control while driving in a hazardous situation.
- This product contains high intensity LED devices. To prevent eye damage, DO NOT stare into the light at close range.
- After testing is complete, provide a copy of these instructions to the instructional staff and all operating personnel.
- Frequently inspect the light to ensure that it is operating properly and that it is securely attached to the vehicle.
- File these instructions in a safe place and refer to them when maintaining and/or reinstalling the product.

Failure to follow all safety precautions and instructions may result in property damage, serious injury, or death.

---

## Overview of the Light

The 7x3 QuadraFlare® LED Scene Light is a self-contained, high-intensity LED light designed for mounting to the exterior of a vehicle. The Model QL73LEDSCENE QuadraFlare LED scene light is designed for operation on 12 Vdc. With the latest in Solaris® LED technology, the scene light focuses lighting around the perimeter of the vehicle without using angled bezels.

## Features

- Surface mounted LED scene light.
- Solaris LED Technology provides focused perimeter lighting without using angled bezel.
- QuadraFlare LED Scene Light is “instant-on” and does not require warm-up time.
- Industry Standard mounting and dimensions.
- Five-year warranty on LED components.
- Optional chrome-plated bezel available.
- Suitable for use in NFPA 1901 or GSA K-Spec compliant packages

## Unpacking the Light

---

### Unpacking the Light

After unpacking the light, inspect it for damage that may have occurred in transit. If it has been damaged, do not attempt to install or operate it. File a claim immediately with the carrier, stating the extent of damage. Carefully check all envelopes, shipping labels, and tags before removing or destroying them. Ensure that the parts listed in Table 1 are included in the package. If you are missing any parts, contact Customer Support at 1-800-264-3578, 7 a.m. to 5 p.m., Monday through Friday (CT).

**Table 1 Kit contents**

Qty.	Description	Part Number
4	#6x1-1/2-inch Stainless Steel Screw	7011205-24
4	Screw Grommet	7065073

### Precautions for Installing the Light

#### **NOTICE**

To avoid damaging the scene light:

- When installing the QuadraFlare scene light on a vehicle, you **MUST** use the manufacturer's supplied mounting gasket, screws, and screw grommets.
- Do not use an impact drill or an electric screw gun when installing the light.
- Torque the mounting screws to the manufacturer's recommended specification of 12 in-lb +/-10 percent.

Failure to observe these precautions will damage the scene light and void any warranty claims for the light.

## Mounting the Light

### **⚠ WARNING**

**AIRBAG DEPLOYMENT:** Do not install equipment or route wiring in the deployment path of an airbag. Failure to observe this warning will reduce the effectiveness of the airbag or potentially dislodge the equipment, causing serious injury or death.

Before proceeding, determine the approximate location of the light assembly and plan all cable/wire routing.

**IMPORTANT:** For maximum coverage and effectiveness, the light assembly must be mounted in a horizontal orientation. (See Figure 1 on page 9.)

To mount the scene light:

1. Position the light assembly the mounting surface. Ensure that the light is level side to side.
2. Using the dimensions provided in Figure 2 on page 10, scribe the four mounting hole locations and a wiring routing hole location on the mounting surface.

### **NOTICE**

**DRILLING PRECAUTIONS:** When drilling holes, check the area you are drilling into to ensure that you do not damage vehicle components while drilling. All drilled holes should be de-burred, and all sharp edges should be smoothed. All wire routings going through drilled holes should be protected by a grommet or convolute/split loom tubing.

3. Drill four 1/4-inch mounting holes and a wire routing hole 1-inch at the scribed locations.
4. Install the four supplied screw grommets into the four 1/4-inch mounting holes.
5. Complete the electrical connections as described in “Wiring the Light” on page 11.

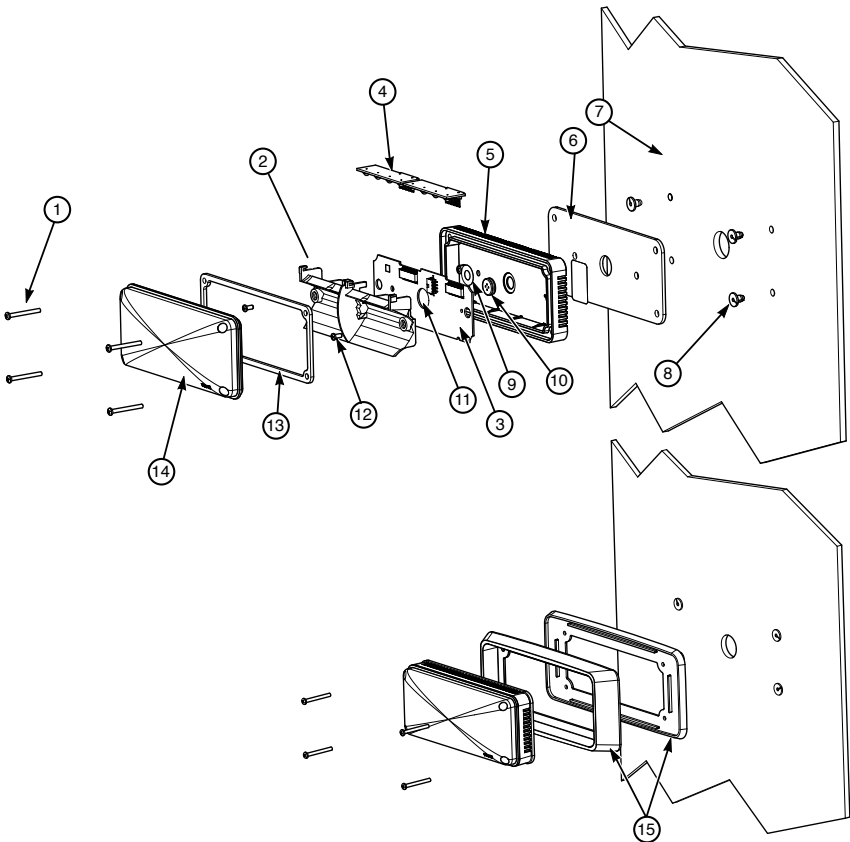
## ***Mounting the Light***

---

- 6.** Align the mounting gasket and the light assembly with the screw grommets, and secure it with the provided #8 by 1-1/2 inch stainless steel screws. Be sure to have the lens mounted to the assembly with the top side of the lens at the top of the light. The lens has TOP molded into the top of the lens. See Figure 1.



**Figure 1 Exploded view of scene light**



**Table 2 Legend for Figure 1**

No.	Description	No.	Description
1	Mounting Screw, #8 X 1-1/2 in, S.S.	9	Vent
2	Reflector	10	Grommet
3	Control PC Board Assy.	11	Wire Harness
4	LED PC Board Assy.	12	Reflector Mounting Screw
5	Base	13	Lens Gasket
6	Mounting Gasket	14	Lens
7	Vehicle Body	15	Bezel with Gasket (Optional)
8	Screw Grommet		

Figure 2 Dimensions of mounting holes on vehicle

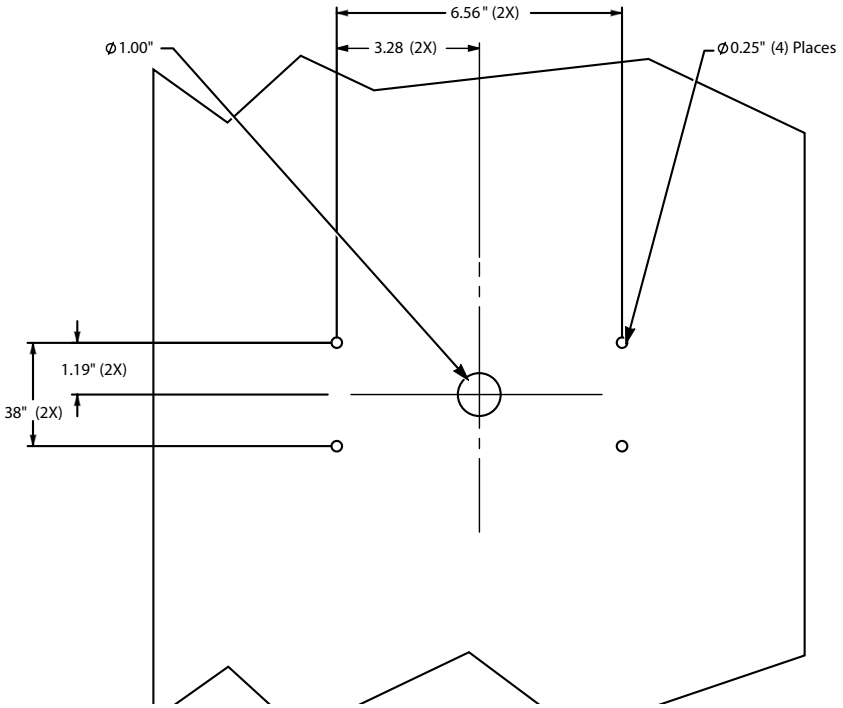
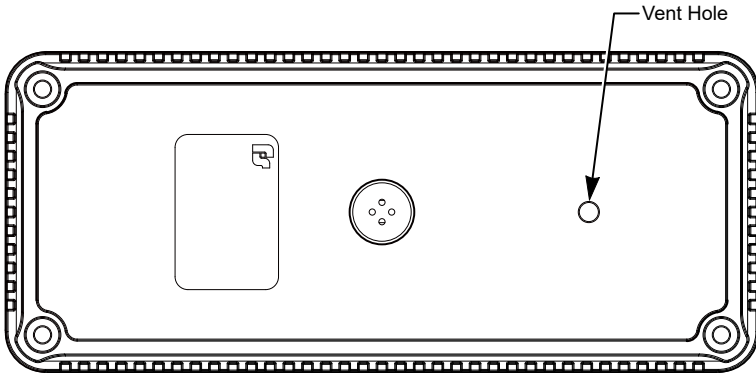


Figure 3 Interior of scene light base



### Wiring the Light

The light assembly operates on 12 Vdc. Two 12 inch-long lead wires are supplied for making electrical connections to the light assembly.

Use 18 AWG (minimum) wire. Ensure that all wires are properly connected and insulated appropriately.

**⚠ WARNING**

***LIGHT HAZARD: This product contains high intensity LED devices. To prevent eye damage, DO NOT stare into the light at close range.***

To wire the scene light:

1. Connect the red (+) lead to the positive power source terminal.
2. Connect the black (–) lead to the negative power source terminal.
3. Apply power and test the light for proper operation.

## ***Cleaning the Lenses***

---

### **Cleaning the Lenses**

#### **⚠ WARNING**

***CRAZING/CRACKING*** *Crazing (fine cracks) of lenses causes reduced effectiveness of the light. Do not use cleaning agents (which cause crazing) such as strong detergents, solvents, or petroleum products. If crazing of the lenses does occur, the reliability of light for emergency signaling purposes may be reduced until the lenses are replaced.*

#### **NOTICE**

***CLEANING the POLYCARBONATE LENSES:*** *To extend the life of this device, periodic cleaning is necessary. Clean the lens with a mild, non-abrasive, neutral-pH cleaning agent and a soft, clean cloth. Rinse the device thoroughly to ensure that no cleaning agent residue remains. To avoid water spots, dry the device with a soft clean cloth. Failure to follow this precaution can cause crazing or cracking of the lens/dome and voids the warranty claims for the light.*

Clean the lens with a soft cloth and a solution of water and a mild soap. If fine scratches or a haze appear on the lens, remove them with a non-abrasive, high quality, one-step, automotive paste cleaner/wax and a soft cloth.

## **Safety Message to Operators**

### **⚠ WARNING**

Peoples' lives depend on your safe use of our products. Listed below are some important safety instructions and precautions you should follow:

- This light does not comply with warning light standards. Do not use this light as a warning light.
- Although your warning system is operating properly, it may not be completely effective. People may not see or heed your warning signal. You must recognize this fact and continue to drive cautiously.
- Situations may occur that obstruct your warning signal when natural or manmade objects are between your vehicle and others, such as raising your hood or trunk lid. If these situations occur, be especially careful.
- This product contains high intensity LED devices. To prevent eye damage, DO NOT stare into the light beam at close range.
- At the start of your shift, ensure that the light is securely attached and operating properly.

Failure to follow these safety precautions may result in property damage, serious injury, or death.

## **Ordering Replacement Parts**

---

### **Ordering Replacement Parts**

To order replacement parts, please contact your local dealer/  
distributor or:

Customer Support

Federal Signal Corporation

Phone: 1-800-264-3578, 1-708-534-3400

Monday - Friday, 7:00 a.m. to 5:00 p.m. CST

<http://www.fedsig.com>

**Table 3 Replacement parts**

<b>Description</b>	<b>Part Number</b>
Lens Gasket	8012110
Mounting Gasket	8012081
Mounting Screw, #6 x 1-1/2 in	7011205-24
Screw Grommet	7065073
Lens	801201076
Optional Chrome Bezel with Gasket	QL73MC

## **Getting Technical Support and Service**

For technical support and service, please contact:

Federal Signal Corporation  
Service Department  
Public Safety Systems  
Phone: 1-800-433-9132  
Fax: 1-800-343-9706  
Email: [empserviceinfo@fedsig.com](mailto:empserviceinfo@fedsig.com)

## **Getting Repair Service**

The Federal Signal factory provides technical assistance with any problems that cannot be handled locally.

Any units returned to returned to Federal Signal for service, inspection, or repair must be accompanied by a Return Material Authorization (RMA). Obtain an RMA from a Local Distributor or Manufacturer's Representative. Provided a brief explanation of the service requested or the nature of the malfunction.

Address all communications to the following address.

Federal Signal Corporation  
Service Department  
2645 Federal Signal Drive  
University Park IL 60484-3167



**FEDERAL SIGNAL**  
Safety and Security Systems

2645 Federal Signal Drive  
University Park, Illinois 60484

[www.fedsig.com](http://www.fedsig.com)

Customer Support

Police/Fire-EMS: 800-264-3578 • +1 708 534-3400

Work Truck: 800-824-0254 • +1 708 534-3400

Technical Support 800-433-9132 • +1 708 534-3400