

Pathway™

100 Watt Siren and Light Controller



FEATURES

- 100 W siren and light controller with PA and noise-canceling microphone
- Models include self-contained, remote, handheld, Four-button and Six-button
- Siren tones, PA, Radio Rebroadcast and Air Horn
- Library of selectable siren tones included
- Horn Ring Transfer and Park Kill
- (7) programmable inputs and (12) programmable solid-state relay outputs
- Convergence Network Configuration Software allows for easy customization of siren and light controls
- (2) FS Convergence Network ports
- Standard voice messages available in English, Spanish and French Canadian to broadcast alerts. Custom voice messages available for an additional fee
- Five-year warranty

APPROVAL

- SAE J1849

FS TECHNOLOGIES



Pathway™ is a compact, programmable siren and light controller available with self-contained controls, handheld, and remote surface-mount control heads. Pathway is easy to install and incorporates Convergence Network Configuration Software to provide a high-level of customizable control capability. Convergence Network Configuration Software is available as a download from the Federal Signal website making it easy to program one vehicle – or an entire fleet – from your laptop.

Controller features

Pathway provides the user with customized control of the siren, warning lights, directional lights, and other accessories. Pathway can control the SignalMaster™ directional functions in light bars, ILS systems, and “stick” lights that are compatible with FS Convergence Network as well as Latitude™ 3-wire SignalMaster. For convenient visual reference, Pathway emulates the selected pattern of the SignalMaster operation.

All controller options feature programmable buttons that can be programmed for press-on, press-off, momentary, and multiple different blinking styles. The button brightness can be dimmed or turned off for stealth operation. Over (100) labeling stickers, such as alley, gun lock, and wail, allow for further customization of the control head.

Button color can be programmed through the Convergence Network Configuration Software. The self-contained and remote models can be programmed in Red or Blue while the Handheld, Six-button and Four-button can be programmed in nine different colors: Red, Blue, Green, Cyan, Magenta, Yellow, White, Purple, and Amber.

Self-contained and remote-control head models also feature programmable diagnostic LEDs on the front of the keypad to detect speaker faults. Diagnostic LEDs can be set to steady burn or flash when the siren detects a fault or normal operation for the speaker.

Amplifier Features

Pathway default siren tones include wail, yelp, priority, and air horn. A library of other selectable siren tones is available in the software. Pathway also includes two serial ports to be used with FS Convergence Network devices such as light bars or directional warning lights for easy “plug-and-play” installation. Other features include horn ring transfer, public address with included microphone, and radio rebroadcast.

Pathway has (12) solid-state relays: eight five-ampere active high solid-state relays and four low current low side outputs (20 mA maximum each).

The maximum output current for each relay can be set with the Convergence Network Configuration Software. Pathway also has connections for four general-purpose input circuits, plus dedicated inputs for park, horn, and ignition. Ignition is an active-high only input, while all other inputs are programmable for active-high or active-low.

Programming Software Features

The Convergence Network Configuration Software is available as a download from the FS website and siren configurations can be created via laptop computer. Configured programs can be extracted, modified, and stored for ease of service and reuse. The Federal Signal Convergence Network allows the user to “plug-and-play” simply by connecting the siren to the vehicle’s light bar. Pathway gives the user the ability to clone an entire fleet of siren functions. The user simply connects the Pathway to a PC and downloads the functions of the programmed software onto a USB drive to download functions to each siren.

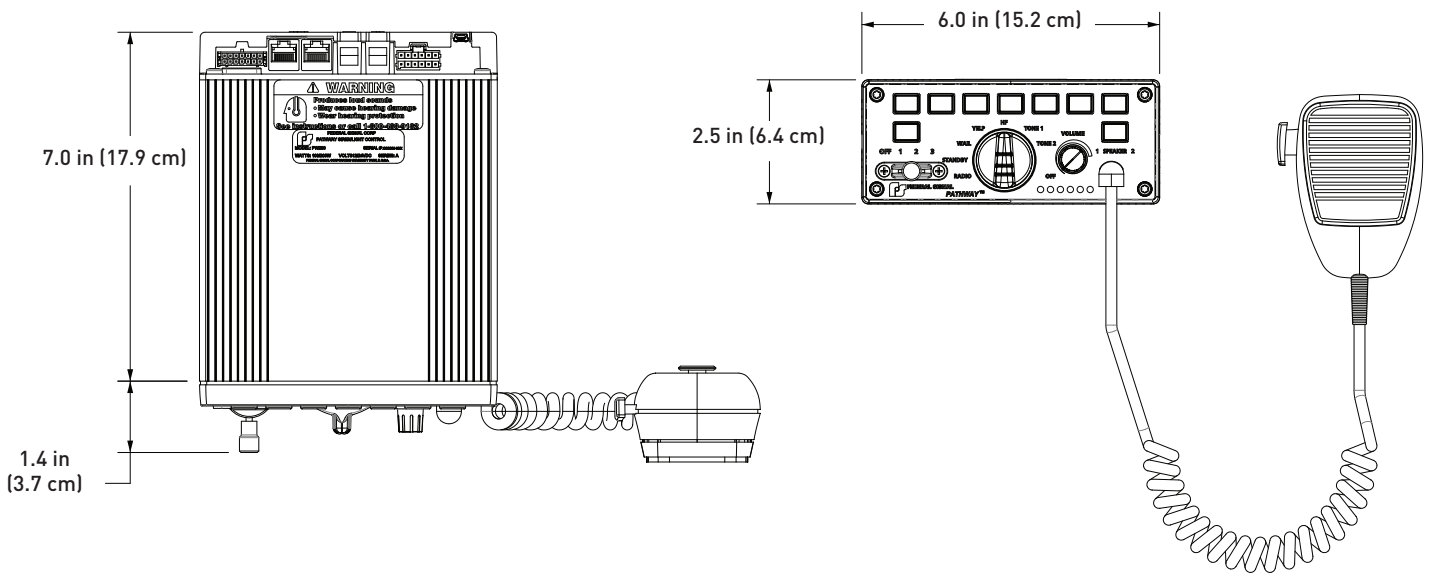
Featuring FSJoin™ Technology

FSJoin™ is a programming compatibility feature of Federal Signal’s light bars and exterior/interior warning lights that work in conjunction with the Pathway™ light/siren controller. The combination of FSJoin warning lights and the Pathway siren allows Pathway to control lights around the vehicle by utilizing flash patterns in the siren, syncing/alternating light heads, and dimming light heads.

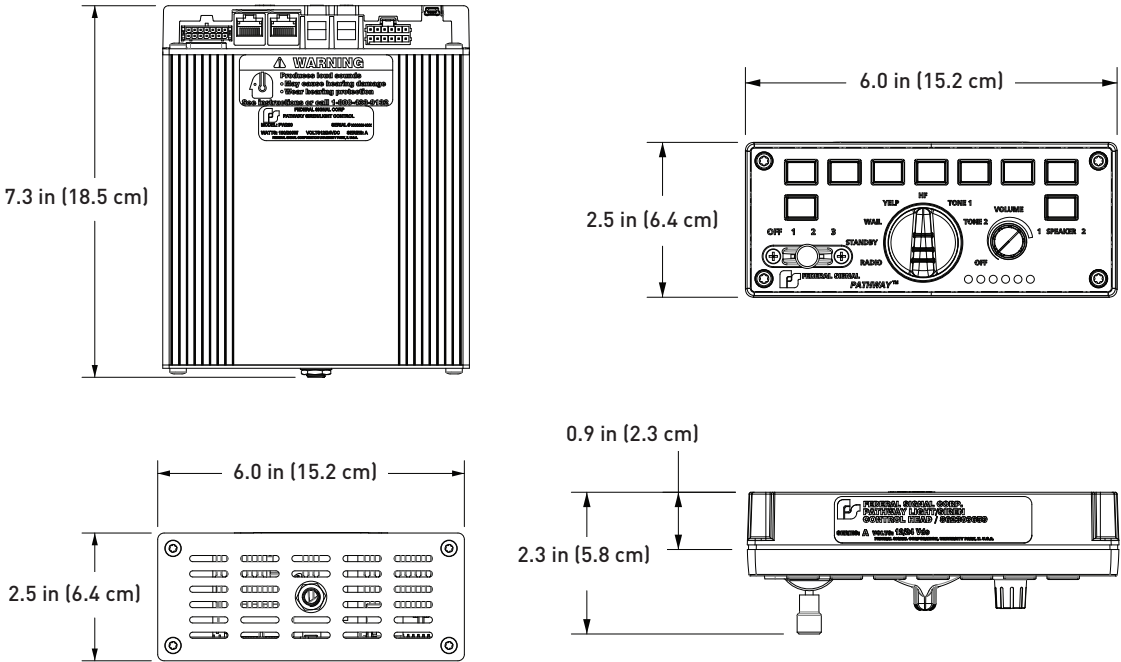
On Scene Sync Module (PFSYNC-1)

The PFSYNC-1 On Scene Sync Module works in conjunction with any Pathway siren to provide synchronization between multiple “like-programmed” vehicles. On Scene Sync Module uses a GPS signal to maintain timing between vehicles providing the capability to synchronize warning lights and voice messages to unify the visual and audible warning of multi-vehicle response. An ambient light sensor is also included in the On Scene Sync Module to auto adjust warning lights.

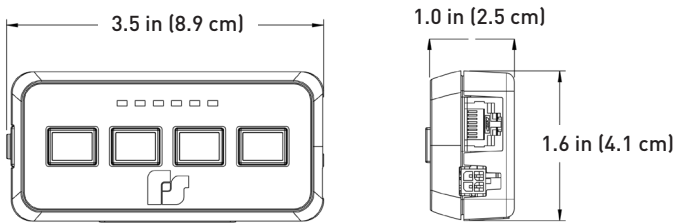
SELF-CONTAINED DIMENSIONS



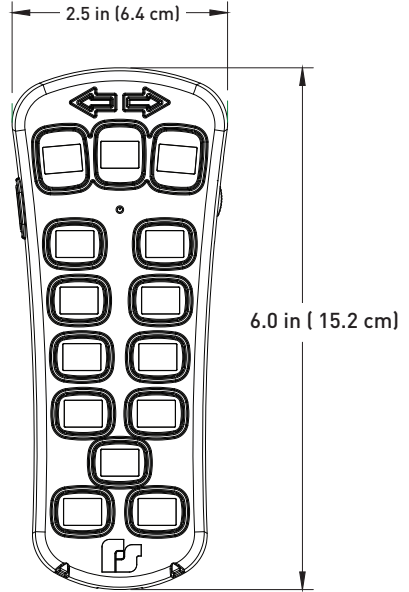
REMOTE CONTROLLER DIMENSIONS



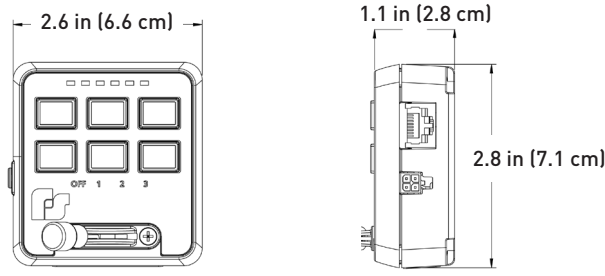
FOUR-BUTTON CONTROLLER



HANDHELD CONTROLLER



SIX-BUTTON CONTROLLER

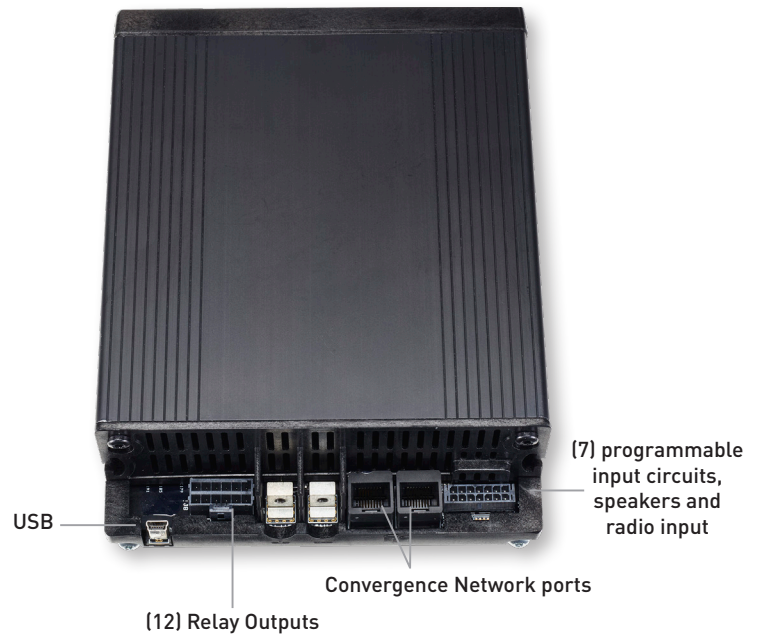


HOW TO ORDER

PW100	Siren/light controller with self-contained controls, 100 W
PW100R	Siren/light controller with remote surface mount controller, 100 W
PW100H	Siren/light controller with handheld controller/microphone, 100 W
PW100S6	Siren/light controller with Six-button controller, 100 W
PW100S4	Siren/light controller with Four-button controller, 100 W

ACCESSORY

PFSYNC-1	On Scene Sync Module
----------	----------------------



SPECIFICATIONS

AUDIO OUTPUT POWER	100 W
INPUT VOLTAGE	11/28 Vdc
NOMINAL OUTPUT VOLTAGE	64 V peak-to-peak
STANDBY CURRENT	< 0.1 A
MAX INPUT CURRENT	56 A (siren and relays)
OPERATING TEMP	-40° to +176° F (-40° to +80° C)
POLARITY	Negative ground only
FREQUENCY RANGE	182 to 1600 Hz

AMPLIFIER PHYSICAL SPECIFICATIONS

	PW100	PW100R	PW100H	PW100S6	PW100S4
HEIGHT	2.5 in (6.4 cm)	2.5 in (6.4 cm)	2.5 in (6.4 cm)	2.5 in (6.4 cm)	2.5 in (6.4 cm)
WIDTH	6.0 in (15.2 cm)	6.0 in (15.2 cm)	6.0 in (15.2 cm)	6.0 in (15.2 cm)	6.0 in (15.2 cm)
LENGTH	8.5 in (21.6 cm)	7.0 in (17.8 cm)	7.0 in (17.8 cm)	7.0 in (17.8 cm)	7.0 in (17.8 cm)

CONTROL HEAD PHYSICAL SPECIFICATIONS

	NA	PW100R	PW100H	PW100S6	PW100S4
HEIGHT	NA	2.5 in (6.4 cm)	6.0 in (15.2 cm)	2.8 in (7.1 cm)	1.6 in (4.1 cm)
WIDTH	NA	6.0 in (15.2 cm)	2.5 in (6.4 cm)	2.6 in (6.6 cm)	3.5 in (8.9 cm)
LENGTH	NA	1.5 in (3.5 cm)	1.3 in (3.3 cm)	1.1 in (2.8 cm)	1.0 in (2.5 cm)

SHIP WEIGHT

PW100	PW100R	PW100H	PW100S6	PW100S4
4.7 lb (2.1 kg)	6.0 lb (2.7 kg)	5.0 lb (2.3 kg)	5.9 lb (2.7 kg)	5.9 lb (2.7 kg)



Pathway, FSJoin, Latitude, and SignalMaster are registered trademarks of Federal Signal Corporation.

Warning: Sirens and Speakers may produce LOUD sounds necessary to request the right-of-way. Sirens and Speakers may cause hearing damage. Wear hearing protection.