

MODEL 350

Weatherproof Panel Mounting

Model TR

2561906 Rev A3 0323

Limited Warranty: This product's limited warranty can be found at www.fedsig.com/SSG-Warranty.

Messages to Installers and Users ⚠ This product should be installed to code by a licensed electrician and follow all safety instructions. Failure to do so may result in property damage, serious injury, or death.

- Read and understand instructions before installing or operating the equipment.
- **SHOCK HAZARD** - To avoid electrical shock hazards, do not connect wires when power is applied.
- Optimum sound distribution will be severely reduced if any objects are in front of the horn. Ensure that the front of the horn is clear of any obstructions.
- All effective warning sounders produce loud sounds that may cause, in certain situations, permanent hearing loss. Take appropriate precautions, such as hearing protection. The device should be installed far enough away from potential listeners to limit their exposure while still maintaining its effectiveness. The OSHA Code of Federal Regulations 1910.95 Noise Standard provides guidelines that may be used regarding permissible noise exposure levels.
- After installation, test the system to ensure that it is operating properly.

Overview: This manual contains diagrams for mounting a Model TR Weatherproof Panel on the Model 350 Vibratone® Electro-Mechanical Horn.

Unpacking the Device: After unpacking the device, examine it for damage and verify the parts. If a part is missing or appears damaged, do not attempt to install. Contact Federal Signal Customer Support at +1 708-587-3587 or iordersup@fedsig.com.

Figure 1 Product dimensions

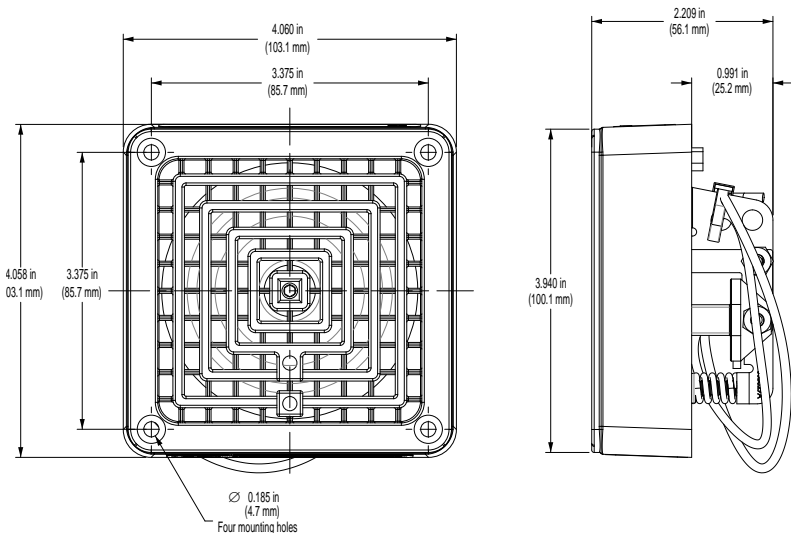


Figure 2 Cutouts

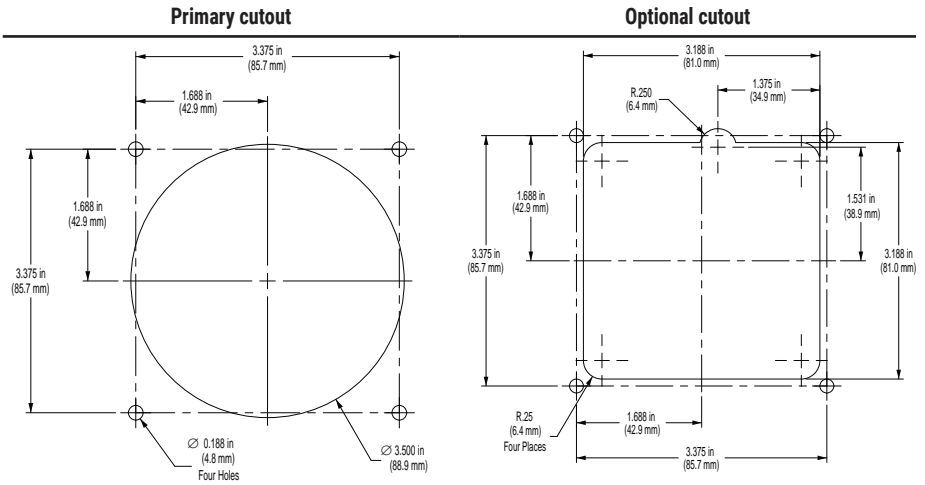
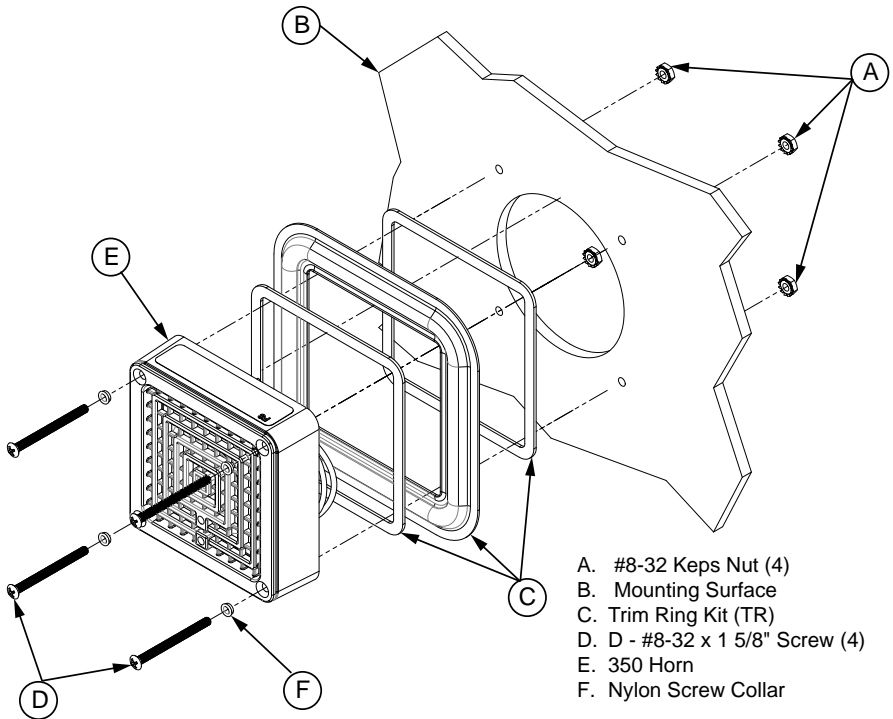


Figure 3 Exploded view



Maintenance and Service

Technical Assistance: Contact our Technical Support Team at +1 708-587-3587 or signalsupport@fedsig.com.

Repair Service: A return authorization is required. Contact your Authorized Distributor or Federal Signal Customer Support. Defective products under warranty will be repaired or replaced at Federal Signal's discretion.

Product Returns: Returns require authorization from Federal Signal. Contact your Authorized Distributor for more information on our return policy or to request a return.



FEDERAL SIGNAL
Safety and Security Systems

2645 Federal Signal Drive, University Park, Illinois 60484

Additional translations available at signaling.fedsig.com

Traducciones adicionales disponibles en signaling.fedsig.com

Customer Support 1-800-344-4634+1-708-534-4756, iordersup@fedsig.com

Technical Support 1-800-755-7621+1-708-587-3587, signalsupport@fedsig.com
signaling.fedsig.com



SCAN ME