



► Model MS Series

Marine/Industrial Sounders and Loudspeakers

Model MS Series Marine/Industrial Sounders and Loudspeakers are designed for rugged industrial applications where CE certification is required. MS Series is comprised of two separate products that serve a variety of applications. First is a sounder that includes fifteen standard tones with a common power input that accepts an AC or DC power source. Once power is applied, a single tone may be selected through the use of a remote contact input, or all fifteen tones may be accessed independently by providing a binary string of information, specific to each tone. This allows a certain sound to match a specific alarm condition.

The second version of the MS Series is a powered loudspeaker. Once an AC or DC power source is applied, the powered loudspeaker is capable of amplifying a low-level audio signal, and reproducing it at 25 watts. MS Series Powered Loudspeakers are the perfect option for ECHO Intercom systems, where CE approval is required.

Mounting is provided by a stainless-steel ratcheted mounting bracket that locks the sounder in position at a specific angle without slipping. The bottom surface of the mounting bracket also contains three mounting holes, to adapt to a variety of surfaces.

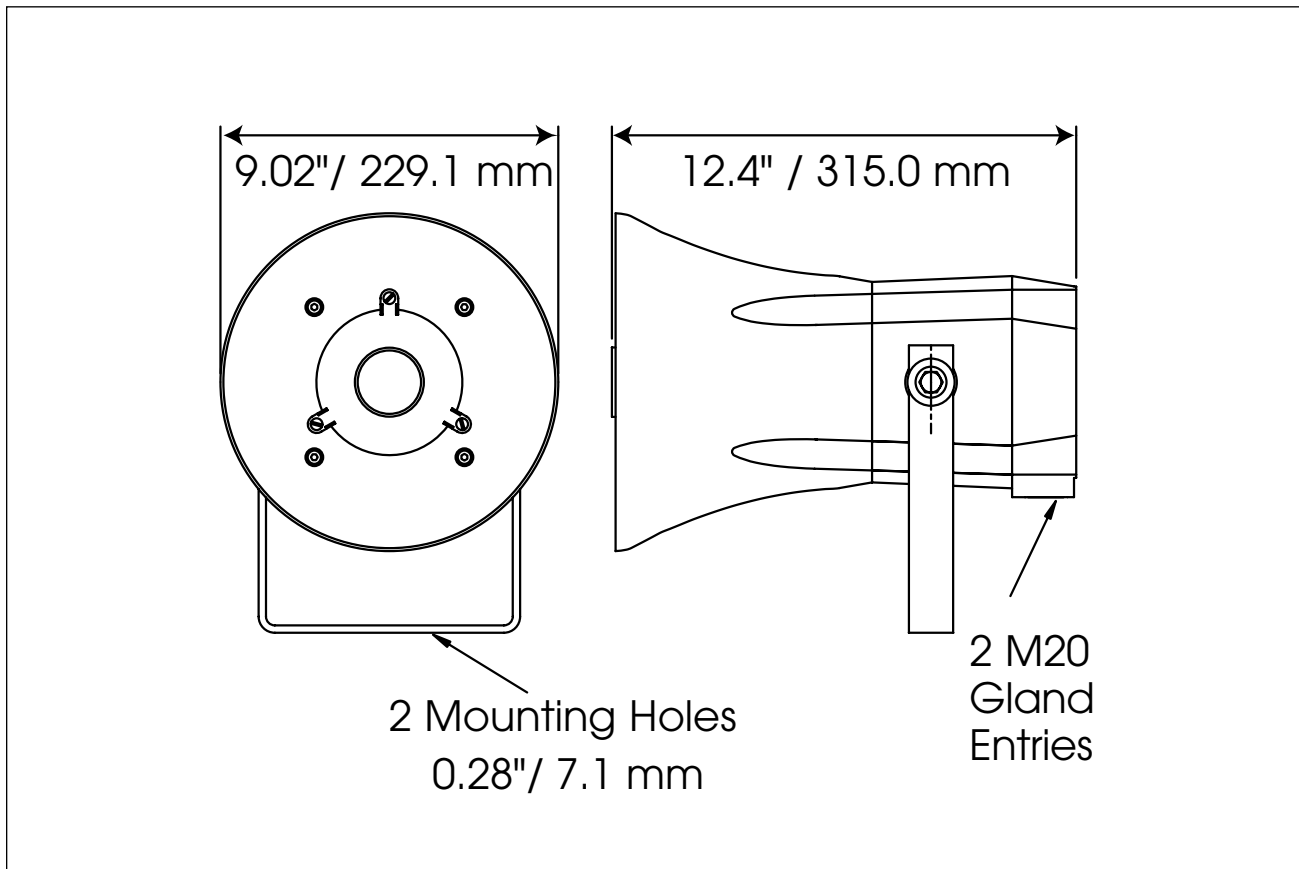
Model MS Series 25 watt model is rated for both IP66 and IP67. All exterior cast aluminum surfaces are finished in gray powder coat paint and external hardware is manufactured from stainless steel to resist corrosion.

FEATURES

- 25 watt, 123 dBa @ 1m
- On-board choice of 15 tones
- Remote tone selection
- Dual cable entries
- Integrated DC and AC voltages
- IP66 or IP67 enclosure
- CE Certified

MODEL	TYPE	VOLTAGE	OPERATING CURRENT	EQUIVALENT POWER
MS4-120-1MT	Sounder	24VDC/120VAC/240VAC	950 mA /210 mA /125 mA	25 watt
MS5-120-13EB	Powered Loudspeaker	24VDC	1200 mA	25 watt
MS5-120-13EL	Powered Loudspeaker	110/120VAC	400 mA	25 watt
MS5-120-13EM	Powered Loudspeaker	220/240VAC	210 mA	25 watt

Marine/Industrial Sounders and Loudspeakers (MS)



S P E C I F I C A T I O N S

Operating Voltages: 24VDC, 110/120VAC, 220/240VAC
 Factory Default Setting: 240VAC
 Type: 25 watt dual entry
 Material: Aluminum Alloy
 Color: Gray to RAL7035 (epoxy powder coated semi-gloss)
 Mounting: Stainless steel bracket (not painted)
 Output:
 25W 123 dBa @ 1m (1kHz)
 Cable Entries (bottom):
 2 x M20 (Supplied with 1 x EEx stopping plug)

Operating Temperature: -4°F to 158°F -20°C to 70°C
 Termination: For 1.5mm² conductors
 Net Weight:
 25W 14.1 lbs 6.4 kg
 Shipping Dimensions:
 25W 12.13 x 11.19 x 13.56 in
 Ingress Protection:
 25W IP66 and IP67

Notes: Audio input user selectable.
 Available inputs are 0.8V, 1.5V and 2.7V.

H O W T O O R D E R

Contact factory for assistance