

25500501 A2 0820

⚠ WARNING

To properly install this light, you must have a good understanding of automotive electrical procedures and systems, along with proficiency in the installation and use of safety warning equipment. Before installing this device, refer to its unabridged instructions for this device, which are available on line at www.fedsig.com. Print the online document and provide copies to the end users of this product and to the personnel who will service it.

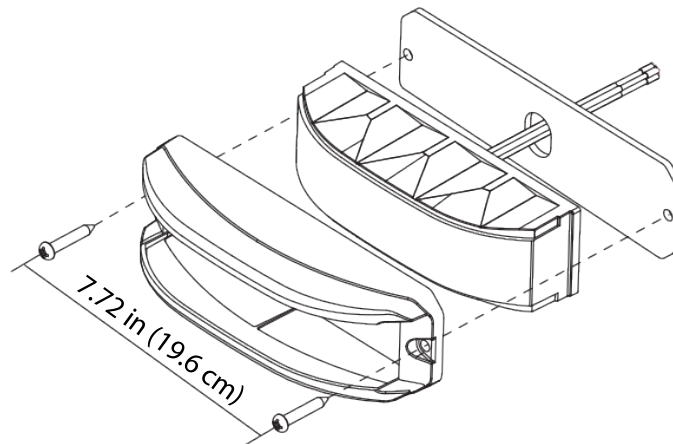
Installing the MPSW9X

- Black: To Chassis Ground
- Red: +Vdc for Color1 (fuse at 2 A)
- White: To +Vdc for Color2 (fuse at 2 A)

Connect the yellow wires of multiple units together for synchronization. (All heads must be set up correctly and use the same pattern upon power-up.)

IMPORTANT: When using with a third party external flash controller, ensure the duty ratio of the flash pattern is less than 50%.

Figure 1 Exploded view



⚠ WARNING

AIRBAG DEPLOYMENT: Do not install equipment or route wiring in the deployment path of an airbag. Failure to observe this warning will reduce the effectiveness of the airbag or potentially dislodge the equipment, causing serious injury or death.

⚠ WARNING

SEAT REMOVAL PRECAUTION: If a vehicle seat is temporarily removed, verify with the vehicle manufacturer if the seat needs to be recalibrated for proper airbag deployment.

⚠ WARNING

LIGHT HAZARD: To be an effective warning device, this product produces bright light that can be hazardous to your eyesight when viewed at a close range. Do not stare directly into this lighting product at a close range, or permanent damage to your eyesight may occur.

Installing the Light

NOTE: The suggested mounting position is with the LEDs facing downward.

To install the light:

1. Put the light head on to the selected surface and mark the two screw mounting positions.
2. Drill a wire access cutout (suggested diameter of 1/2 inch) on the selected mounting surface between the two screw marks.
3. Install the foam pad to the light head.
4. Lead the wires through the cutout and make all necessary connections.
5. Tighten the two screws and ensure that the light head is fixed.



FEDERAL SIGNAL Safety and Security Systems

2645 Federal Signal Drive
University Park, Illinois 60484-3167

www.fedsig.com

Customer Support

Police/Fire-EMS: 800-264-3578 • +1 708 534-3400

Work Truck: 800-824-0254 • +1 708 534-3400

Technical Support: 800-433-9132 • +1 708 534-3400

© Copyright 2018-2020 Federal Signal Corporation