

25500627 A0 0220

Safety Message to Installers of Warning Light Equipment

People's lives depend on your proper installation and servicing of Federal Signal products. It is important to read and follow all instructions shipped with this product and the original product. Listed below are some other important safety instructions and precautions you should follow.

- To properly install the lighting system, you must have a good understanding of automotive systems, along with proficiency in the installation and use of safety warning equipment.
- Do not install equipment or route wiring in the deployment path of an airbag.
- If a vehicle seat is temporarily removed, verify with the vehicle manufacturer if the seat needs to be recalibrated for proper airbag deployment.
- Frequently inspect the light system to ensure that it is operating properly and that it is securely attached to the vehicle.
- When drilling into a vehicle structure, ensure that both sides of the surface are clear of anything that could be damaged.
- Refer to the instructions packed with related products for additional precautions and information.
- File these instructions in a safe place and refer to them when maintaining and/or reinstalling the product.
- Do not stare directly into the lights at a close range, or permanent damage to your eyesight may occur.

Failure to follow all safety precautions and instructions may result in property damage, serious injury, or death.

MPSMW9-SIL19MIR Mounting Kit

This publication has instructions for using the MPSMW9-SIL19MIR Mounting Kit to mount a pair of MicroPulse MPSW9 light heads to the side mirrors of the Chevrolet Silverado 1500. This kit will not work on vehicles equipped with trailering mirrors.

NOTE: For electrical installation instructions, refer to the installation and maintenance instructions packed with the lighthouse.

Figure 1 Silverado Mirror



Unpacking the Kit

After unpacking the kit, inspect it for damage that may have occurred in transit. If it has been damaged, do not attempt to install or operate it. File a claim immediately with the carrier, stating the extent of damage. Carefully check all envelopes, shipping labels, and tags before removing or destroying them. Ensure that the parts in the Kit Contents List are included in the package. If you are missing any parts, contact Customer Support at 1-800-264-3578, 7 a.m. to 5 p.m., Monday through Friday (CT).

Table 1 Kit Contents

Description	Part No.	Qty.
6-32, Phillips Pan Head Stainless Steel Screw	7000491-08	4
6-32 Stainless Steel Keps Nut	7058A046	4
#10 Type B 6-Lobe Screw, Black	7011246-06	8
Driver Side MPSMW9-SIL19 Mirror Bracket	861303179	1
Passenger Side MPSMW9-SIL19 Mirror Bracket	861303180	1

Installing the Brackets

⚠ WARNING

AIRBAG DEPLOYMENT: Do not install equipment or route wiring in the deployment path of an airbag. Failure to observe this warning will reduce the effectiveness of the airbag or potentially dislodge the equipment, causing serious injury or death.

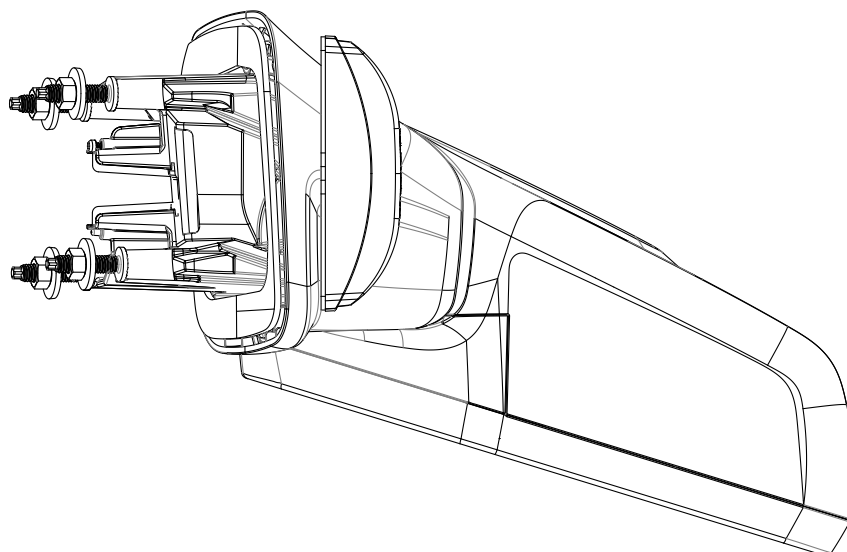
NOTICE

DRILLING PRECAUTIONS: When drilling holes, check the area you are drilling into to ensure that you do not damage vehicle components while drilling. All drilled holes should be de-burred, and all sharp edges should be smoothed. All wire routings going through drilled holes should be protected by a grommet or convolute/split loom tubing.

IMPORTANT: Plan all cable routing before the installation.

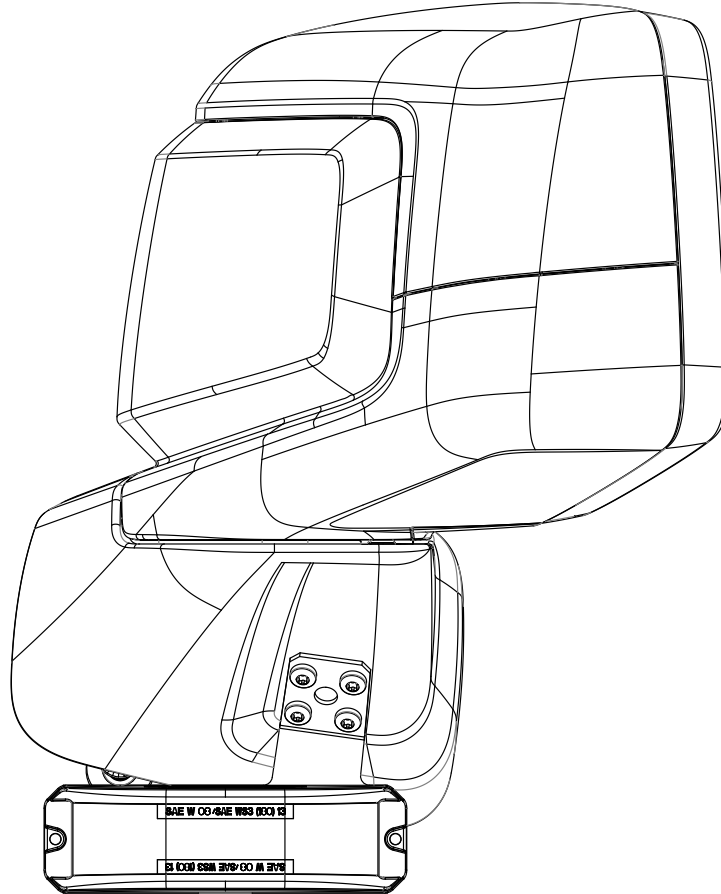
1. Position the bracket as shown in Figure 2 and mark mounting holes and a wire access hole.

Figure 2 Bracket mounted to side mirror



2. Drill four 5/32-inch mounting holes and a hole for wire routing.
3. Install the bracket to the mirror with four #10 Type B six-lobe screws.
4. Install the MPSW9 light with the provided #6-32 nuts and screws. See Figure 3 for final installation.

Figure 3 Final Installation



5. If it is necessary to route the wiring, remove and install the mirror according to the vehicle manufacturer's instructions.
6. Repeat Steps 1 through 5 for the other mirror.
7. Complete the wiring according to the instructions supplied with the lighthead.

⚠ WARNING

LIGHT HAZARD: To be an effective warning device, an emergency warning system produces bright light that can be hazardous to your eyesight when viewed at a close range. Do not stare directly into this lighting product at a close range, or permanent damage to your eyesight may occur.

8. Test the lights for proper operation.

Getting Technical Support

For technical support, please contact:

Federal Signal Corporation
Service Department
Phone: 1-800-433-9132
Email: empsserviceinfo@fedsig.com

Getting Repair Service

The Federal Signal factory provides technical assistance with any problems that cannot be handled locally. Any units returned to Federal Signal for service, inspection, or repair must be accompanied by a Return Material Authorization (RMA). Obtain a RMA from a local Distributor or Manufacturer's Representative. Provide a brief explanation of the service requested, or the nature of the malfunction.

Address all communications and shipments to the following:

Federal Signal Corporation
Service Department
2645 Federal Signal Dr.
University Park, IL 60484-3167

Ordering Replacement Parts

To order replacement parts, call Customer Support at 1-800-264-3578, 7 a.m. to 5 p.m., Monday through Friday (CT) or contact your nearest distributor.

Limited Warranty

This product is subject to and covered by a limited warranty, a copy of which can be found at www.fedsig.com/SSG-Warranty. A copy of this limited warranty can also be obtained by written request to Federal Signal Corporation, 2645 Federal Signal Drive, University Park, IL 60484, email to info@fedsig.com or call +1 708-534-3400.

This limited warranty is in lieu of all other warranties, express or implied, contractual or statutory, including, but not limited to the warranty of merchantability, warranty of fitness for a particular purpose and any warranty against failure of its essential purpose.



FEDERAL SIGNAL
Safety and Security Systems

2645 Federal Signal Drive
University Park, Illinois 60484-3167

www.fedsig.com

Customer Support
Police/Fire-EMS: 800-264-3578 • +1 708 534-3400
Work Truck: 800-824-0254 • +1 708 534-3400
Technical Support: 800-433-9132 • +1 708 534-3400

© Copyright 2020 Federal Signal Corporation
All trademarks are property of their respective owners.