

25500757 A0 0921

### **Safety Message to Installers of Warning Light Equipment**

People's lives depend on your proper installation and servicing of Federal Signal products. It is important to read and follow all instructions shipped with this product and the original product. Listed below are some other important safety instructions and precautions you should follow.

- To properly install the lighting system, you must have a good understanding of automotive systems, along with proficiency in the installation and use of safety warning equipment.
- Do not install equipment or route wiring in the deployment path of an airbag.
- If a vehicle seat is temporarily removed, verify with the vehicle manufacturer if the seat needs to be recalibrated for proper airbag deployment.
- Frequently inspect the light system to ensure that it is operating properly and that it is securely attached to the vehicle.
- When drilling into a vehicle structure, ensure that both sides of the surface are clear of anything that could be damaged.
- Refer to the instructions packed with related products for additional precautions and information.
- File these instructions in a safe place and refer to them when maintaining and/or reinstalling the product.
- Do not stare directly into the lights at a close range, or permanent damage to your eyesight may occur.

Failure to follow all safety precautions and instructions may result in property damage, serious injury, or death.

### **MPSMW9-FRD21MIR Mounting Kit**

This publication has instructions for using the MPSMW9-FRD21MIR Mounting Kit to mount a pair of MicroPulse® MPSW9 light heads to the side mirrors of the 2021+ Ford F-150.

**NOTE:** For electrical installation instructions, refer to the installation and maintenance instructions packed with the light head.

### **Unpacking the Kit**

After unpacking the kit, inspect it for damage that may have occurred in transit. If it has been damaged, do not attempt to install or operate it. File a claim immediately with the carrier, stating the extent of the damage. Carefully check all envelopes, shipping labels, and tags before removing or destroying them. Ensure that the parts in the Kit Contents List are included in the package. If you are missing any parts, contact Customer Support at 1-800-264-3578, 7 a.m. to 5 p.m., Monday through Friday (CT).

Table 1 Kit Contents

Qty.	Description	Part No.
4	6-32, Phillips Pan Head Stainless Steel Screw	7000491-08
4	6-32 Stainless Steel Keps® Nut	7058A046
8	#10 Type B 6-Lobe Screw, Black	7011246-06
1	Driver Side MPSMW9-FRD21MIR Mirror Bracket	861303611
1	Passenger Side MPSMW9-FRD21MIR Mirror Bracket	861303612

### Installing the Brackets

**⚠ WARNING**

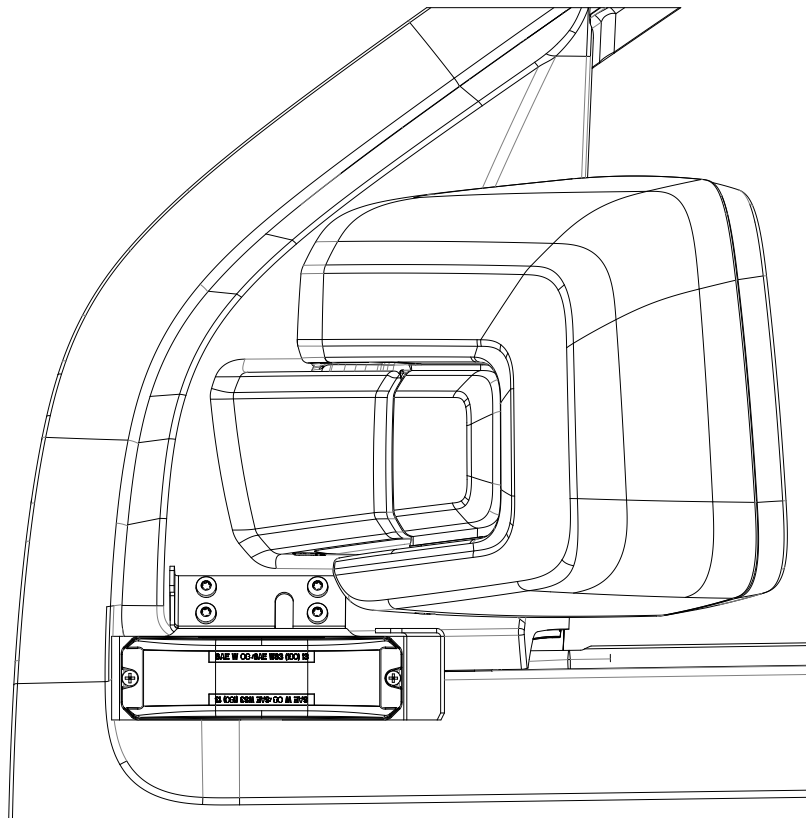
**AIRBAG DEPLOYMENT:** Do not install equipment or route wiring in the deployment path of an airbag. Failure to observe this warning will reduce the effectiveness of the airbag or potentially dislodge the equipment, causing serious injury or death.

**IMPORTANT:** Plan all cable routing before the installation.

To install the brackets:

1. Install the light head to the bracket using the supplied 6-32 screws and Keps nuts.
2. Position the bracket as shown in Figure 1 and mark mounting holes and a wire access hole.

Figure 1 Bracket mounted to side mirror



3. Ensure that the bracket/light head does not interfere with the door or the folding action of the mirror.

4. Remove the mirror from the vehicle according to the vehicle manufacturer's instructions.

**NOTICE**

**DRILLING PRECAUTIONS:** *When drilling holes, check the area you are drilling into to ensure that you do not damage vehicle components while drilling. All drilled holes should be de-burred, and all sharp edges should be smoothed. All wire routings going through drilled holes should be protected by a grommet or convolute/split loom tubing.*

5. Drill four 5/32-inch mounting holes and a hole for wire routing.
6. Install the bracket/light head to the mirror with four #10 Type B six-lobe screws.
7. Apply RTV to the wire access hole.
8. Reinstall the mirror according to the vehicle manufacturer's instructions.
9. Repeat Steps 1 through 8 for the other mirror.
10. Complete the wiring according to the instructions supplied with the light heads.

**⚠ WARNING**

**LIGHT HAZARD:** *To be an effective warning device, an emergency warning system produces bright light that can be hazardous to your eyesight when viewed at a close range. Do not stare directly into this lighting product at a close range, or permanent damage to your eyesight may occur.*

11. Test the lights for proper operation.

### Getting Technical Support

For technical support, please contact:

Federal Signal Corporation  
Service Department  
Phone: 1-800-433-9132  
Email: empsserviceinfo@fedsig.com

### Getting Repair Service

The Federal Signal factory provides technical assistance with any problems that cannot be handled locally. Any units returned to Federal Signal for service, inspection, or repair must be accompanied by a Return Material Authorization (RMA). Obtain an RMA from a local Distributor or Manufacturer's Representative. Provide a brief explanation of the service requested or the nature of the malfunction.

Address all communications and shipments to the following:

Federal Signal Corporation  
Service Department  
2645 Federal Signal Dr.  
University Park, IL 60484-3167

### Ordering Replacement Parts

To order replacement parts, call Customer Support at 1-800-264-3578, 7 a.m. to 5 p.m., Monday through Friday (CT) or contact your nearest distributor.

## **Limited Warranty**

This product is subject to and covered by a limited warranty, a copy of which can be found at [www.fedsig.com/SSG-Warranty](http://www.fedsig.com/SSG-Warranty). A copy of this limited warranty can also be obtained by written request to Federal Signal Corporation, 2645 Federal Signal Drive, University Park, IL 60484, email to [info@fedsig.com](mailto:info@fedsig.com) or call +1 708-534-3400.

This limited warranty is in lieu of all other warranties, express or implied, contractual or statutory, including, but not limited to the warranty of merchantability, warranty of fitness for a particular purpose and any warranty against failure of its essential purpose.



2645 Federal Signal Drive  
University Park, Illinois 60484-3167

[www.fedsig.com](http://www.fedsig.com)

Customer Support  
Police/Fire-EMS: 800-264-3578 • +1 708 534-3400  
Work Truck: 800-824-0254 • +1 708 534-3400  
Technical Support: 800-433-9132 • +1 708 534-3400

© Copyright 2021 Federal Signal Corporation  
All trademarks are property of their respective owners.