

Four, Six, and Nine-Button Controller

Accessories



FEATURES

- Compact size for versatile mounting
- Swivel-mount included
- (4), (6), and (9) illuminated push-buttons
- Pre-programmed keypad configurations for the Valor®, Integrity®, Allegiant®, Navigator®, Legend®, CN SignalMaster®, and SpectraLux® ILS
- Multi-colored LED back-lit push buttons
- Variety of legend stickers included for button labeling
- Three-year warranty

FS TECHNOLOGIES



Light Control in a Compact Package

Four, Six, and Nine-button Convergence Network programmable controllers are innovative light bar control modules designed specifically for use with the Federal Signal Convergence Network light bars — Valor®, Integrity®, Allegiant®, Navigator®, Legend®, CN SignalMaster™ and the SpectraLux® ILS warning light. The controllers feature illuminated push buttons and a position slide switch (Six-button controller, only).

Power Programming for Quick and Easy Flash Pattern and Keypad Configuration Selection

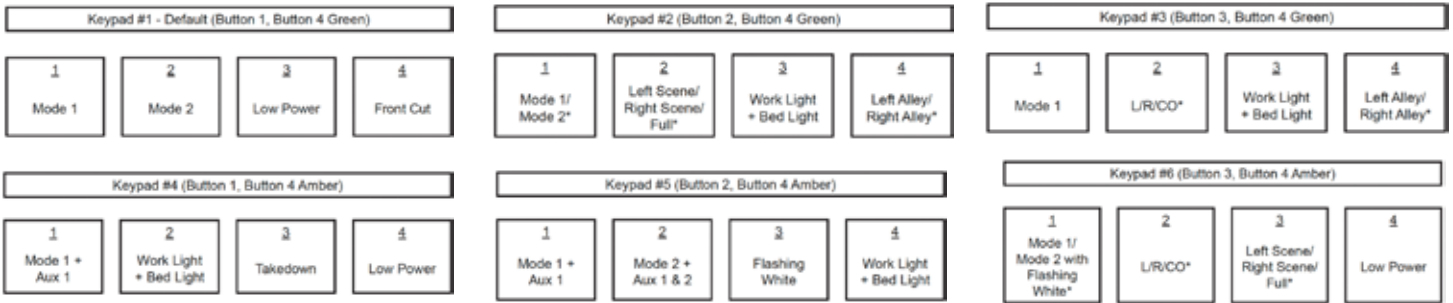
Four, Six, and Nine-button controllers come with various pre-programmed keypad configurations. The multi-color keypad configuration contains between 1 – 3 flashing modes, producing one of (12) selectable flash patterns.

The enhanced functionality of these controllers lets the user take advantage of all the light bar has to offer, including built-in directional signals. Additional light bar functions include front and rear cutoff, takedown and alley lights, front and rear flood, work lights, and low power mode.

Simplified Installation with Convergence Network

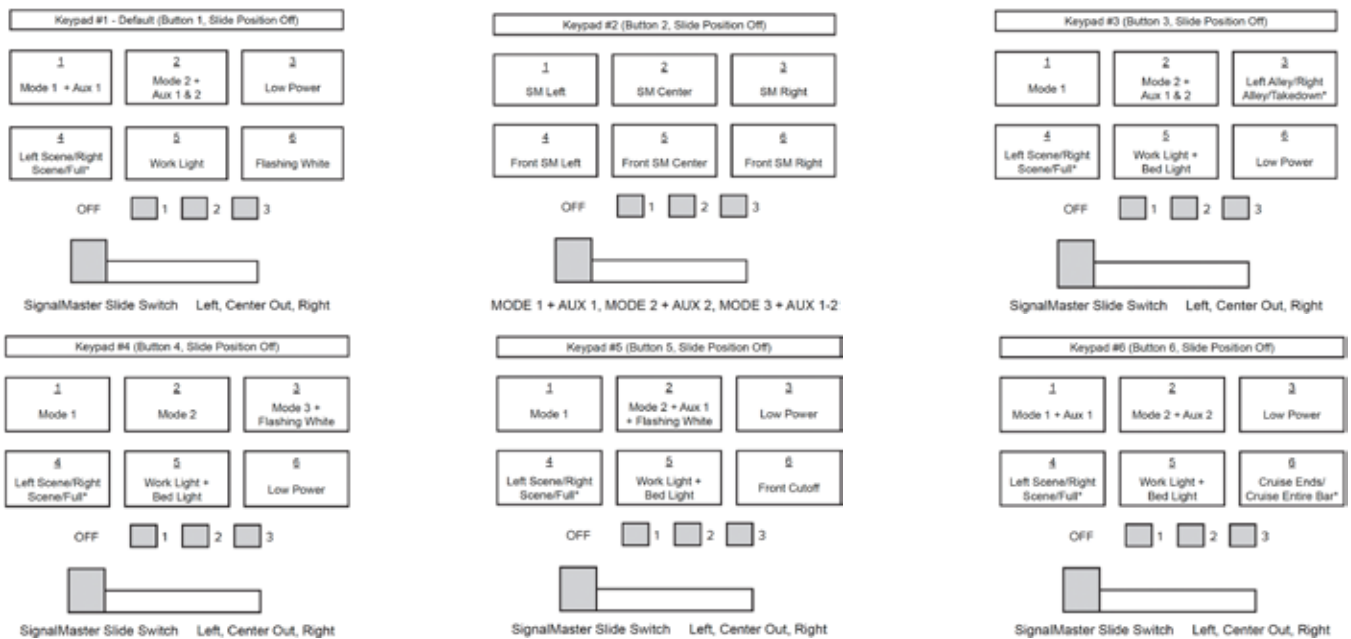
Federal Signal Convergence Network is a PC software that allows the configuration of Federal Signal products. The Convergence Network's plug-n-play cable connection system makes installation of the Four, Six, and Nine-button programmable controller simple and easy.

FOUR-BUTTON CONTROLLER KEYPAD CONFIGURATIONS FOR VALOR®/INTEGRITY®/ALLEGIAN™



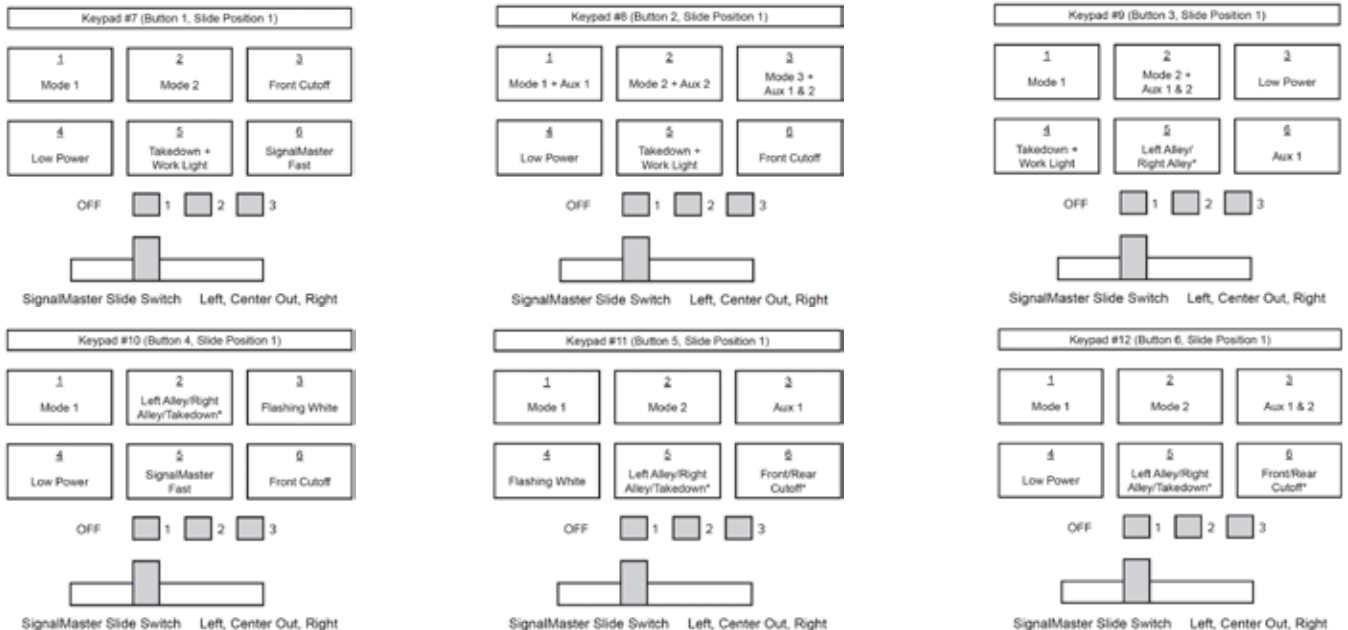
*Indicates step-through

SIX-BUTTON CONTROLLER KEYPAD CONFIGURATIONS FOR VALOR®/INTEGRITY®/ALLEGIAN™



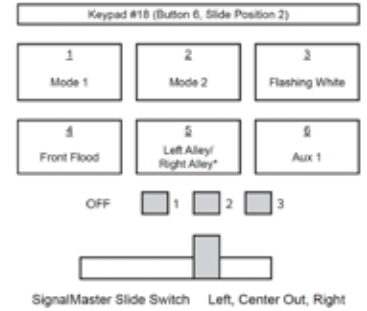
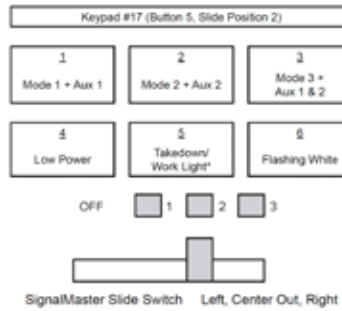
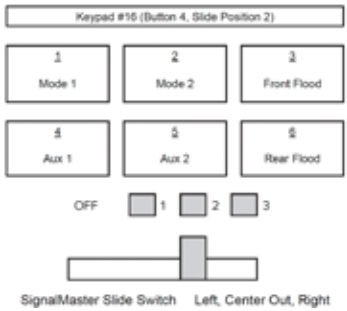
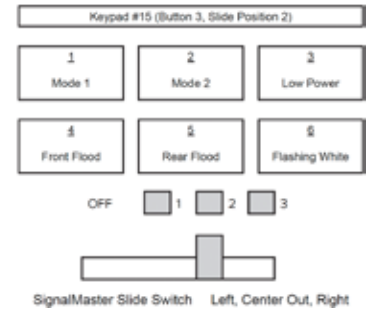
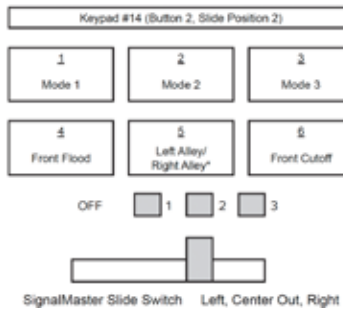
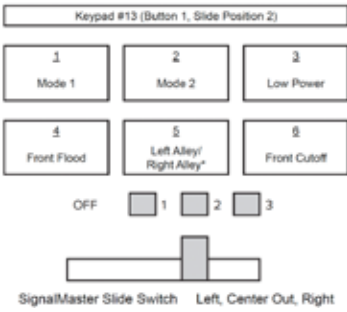
*Indicates step-through

SIX-BUTTON CONTROLLER KEYPAD CONFIGURATIONS FOR LEGEND®



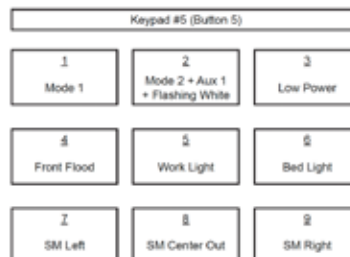
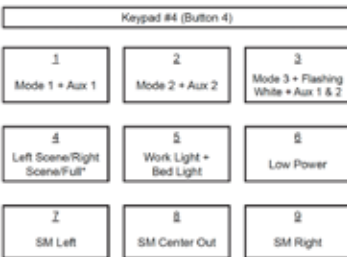
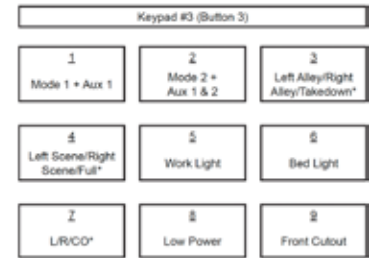
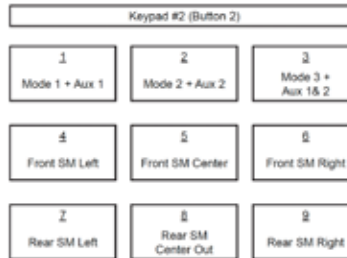
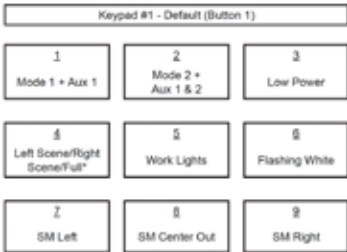
*Indicates step-through

SIX-BUTTON CONTROLLER KEYPAD CONFIGURATIONS FOR NAVIGATOR®



*Indicates step-through

NINE-BUTTON CONTROLLER KEYPAD CONFIGURATIONS FOR VALOR®/INTEGRITY®/ALLEGiant®



*Indicates step-through

HOW TO ORDER

Choose Four-button controller, Six-button controller, or Nine-button controller on our on-line light bar configurator at www.config.fedsig.com/lightbar or choose one of the popular serial light bar models shown in the catalog.

- CNTRLR-4B** Four-button programmable serial controller
- CNTRLR-6B** Six-button programmable serial controller with three-position slide switch
- CNTRLR-9B** Nine-button programmable serial controller

SPECIFICATIONS

	FOUR-BUTTON	SIX-BUTTON	NINE-BUTTON
INPUT VOLTAGE		11-28 Vdc	
POLARITY		Negative ground only	
OPERATING TEMPERATURE		-40° to +149° F [-40° to +65° C]	
STANDBY CURRENT		Less than 0.1 A	
MAX INPUT		2 A	
PHYSICAL SPECIFICATIONS			
LENGTH	3.5 in (8.9 cm)	2.6 in (6.6 cm)	2.6 in (6.6 cm)
WIDTH	1.0 in (2.5 cm)	1.1 in (2.8 cm)	1.1 in (2.8 cm)
HEIGHT	1.6 in (4.1 cm)	2.8 in (7.1 cm)	2.8 in (7.1 cm)
SHIP WEIGHT	0.1 lb (0.05 kg)	0.2 lb (0.08 kg)	0.2 lb (0.08 kg)



Valor, Integrity, Legend, Navigator, Allegiant, CN SignalMaster, and SpectraLux are registered trademarks of Federal Signal