



## ▶ Commander® 3" Flashing and Compartment Lights | Exterior Perimeter Light and Compartment Light

### FEATURES

- Standard 3" round surface mount flashing and compartment lights with an aluminum base
- Flashing models available in Amber, Blue, and Red
- Compartment lights available in Red, White, Blue/White, and Red/White
- Surface mount alleviates the need to do body cut-outs on the vehicle
- All models include bolt or adhesive mount for added flexibility in mounting
- Red LED compartment lights are ideal for improved nighttime vision in compartments
- Five-year warranty

### APPROVALS

- SAE J845 and J595, Class 2

The Commander 3" lights feature a low-profile design and surface mount that allows for versatile mounting options on a vehicle. The COM3 lights include flashing light and compartment light models with an optional rubber grommet or chrome flange (both sold separately). Flashing models are available in Amber, Blue, and Red with Clear or Colored lens. Compartment light models are available in Red, White, Blue/White, and Red/White, two-color models allow for separate control of colors. Compartment light models are available with Clear and Colored lenses.



**Specify model**

**Commander® 3" Flashing Lights**

- COM3FAC 6-LED, 3" round light, Amber LEDs, Clear lens
- COM3FBC 6-LED, 3" round light, Blue LEDs, Clear lens
- COM3FRC 6-LED, 3" round light, Red LEDs, Clear lens
- COM3FAA 6-LED, 3" round light, Amber LEDs, Amber lens
- COM3FBB 6-LED, 3" round light, Blue LEDs, Blue lens
- COM3FRR 6-LED, 3" round light, Red LEDs, Red lens

**Commander® 3" Compartment Lights**

- COM3SWC 6-LED, 3" round light, White LEDs, Clear lens
- COM3SRR 6-LED, 3" round light, Red LEDs, Red lens
- COM3SBWC 6-LED, 3" round light, separate control of colors, (3) Blue / (3) White LEDs, Clear lens
- COM3SRWC 6-LED, 3" round light, separate control of colors, (3) Red / (3) White LEDs, Clear lens

**Accessories and Kits**

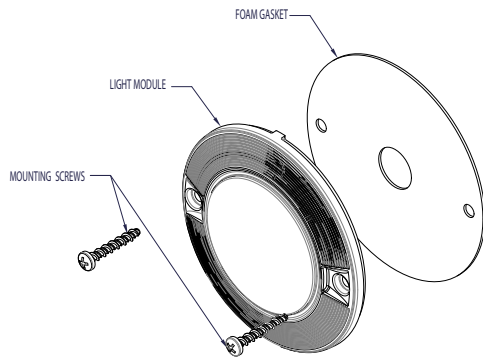
- COM3FLANGE 3" round Chrome flange for COM3 lights
- COM3GROMMET Kit, Grommet for COM3 lights



COM3FLANGE



COM3GROMMET



**Specifications**

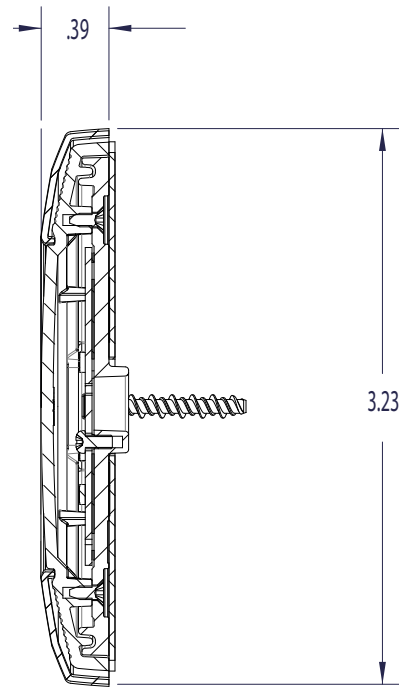
Current Draw	0.5 A
Input Voltage	12 VDC
Operating Temperature	-40 °C - 65° C

**Physical Specifications**

Depth	0.4 in (1.0 cm)
Diameter	3.3 in. (8.4cm)

**Ship Weight**

.15 lbs (0.07 kg)



Shown as actual size

