

# MicroPulse®

## Exterior Perimeter Light



### FEATURES

- Multiple mounting options for various applications
- Superior warning with (6) or (12) high-powered LEDs
- Single- and dual-color models are available
- LEDs offered in Amber, Blue, Red, and White
- Single/multi-unit synchronization
- Five-year warranty

#### High-Performance LEDs Provide First-Responder and Work Truck Vehicles with Superior Auxiliary Warning Capability

Compact MicroPulse® perimeter lights feature an advanced high-output LED light head for additional warning around the outside of your vehicle.

#### Multiple Mounting options for Various Applications

Available in single- and dual-color models, MicroPulse lights can be programmed to operate as a single unit or in synchronization with multiple MicroPulse light heads. Built-in flash patterns enable multiple vehicle perimeter lights to be synchronized in the same pattern or reverse sequence.

#### Built to Last

The MicroPulse lens is made of UV-resistant polycarbonate to protect against harsh conditions. Certified to meet IP67, MicroPulse perimeter lights have a fully encapsulated water-proof housing that provides a barrier against dust, moisture, and water.

### APPROVALS

- IP67
- SAE J845, Class 1
- SAE J595, Class 1

#### MicroPulse Delivers Optimum Flexibility Through a Choice of Different Colors and Color Combinations

LED colors include Red, Blue, White, and Amber as well as dual-color models in Red/Blue, Blue/White, Red/White, and White/Amber combinations.



MPS600-AA  
Surface Mount Model



MPS650-WW  
Grille/Hood Mount Model



MPS650/MPS652  
Grille/Hood Mount Model



MPS650-BB and MPS650-RR  
Mounted on Hood

## HOW TO ORDER

### MICROPULSE 6, SINGLE-COLOR, SURFACE MOUNT, 12/24 VDC

MPS600-AA (6) Amber LEDs, Clear lens

### MICROPULSE 6, SINGLE-COLOR, HOOD/GRILLE MOUNT, 12/24 VDC

MPS650-AA (6) Amber LEDs, Clear lens

MPS650-BB (6) Blue LEDs, Clear lens

MPS650-RR (6) Red LEDs, Clear lens

MPS650-WW (6) White LEDs, Clear lens

### MICROPULSE 6, DUAL-COLOR, HOOD/GRILLE MOUNT, 12/24 VDC

MPS652-BR (6) Blue LEDs, (6) Red LEDs, Clear lens

MPS652-BW (6) Blue LEDs, (6) White LEDs, Clear lens

MPS652-RW (6) Red LEDs, (6) White LEDs, Clear lens

MPS652-WA (6) White LEDs, (6) Amber LEDs, Clear lens

### MICROPULSE 6 BRACKETS

MPSM6-LB Generic L-bracket for (1) MPS600 light

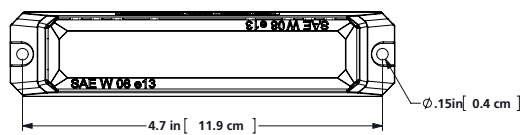
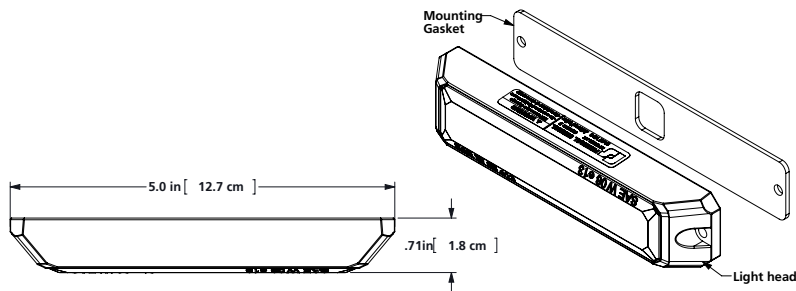
MPSM6-DS Generic L-bracket for (2) MPS600 lights stacked

MPSM6-DL Generic L-bracket for (2) MPS600 lights side-by-side

MPSM6-SB Swivel mount bracket for (1) MPS600 light

MPSM6-SPACRKT Kit of (4) 5-degree rubber mounting wedges for use with MPS600 lights

MPSM650-SPACRKT Kit of (4) 5-degree rubber mounting wedges for use with (2) MPS650 lights



## SPECIFICATIONS

OPERATING VOLTAGE	12/24 Vdc
CURRENT DRAW	0.55 A @ 12 Vdc 0.26 A @ 24 Vdc
OPERATING TEMP.	-40° to +176° F (-40° to +80° C)

### PHYSICAL SPECIFICATIONS

	HOOD MOUNT	SURFACE MOUNT
LENGTH	4.2 in (10.8 cm)	5.0 in (12.7 cm)
WIDTH	1.7 in (4.3 cm)	0.7 in (1.7 cm)
HEIGHT	0.9 in (2.4 cm)	1.1 in (2.8 cm)

### SHIP WEIGHT

0.75 lb (0.34 kg)

## MICROPULSE 6 BRACKETS



MPSM6-LB



MPSM6-DS



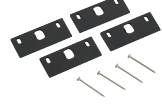
MPSM6-DL



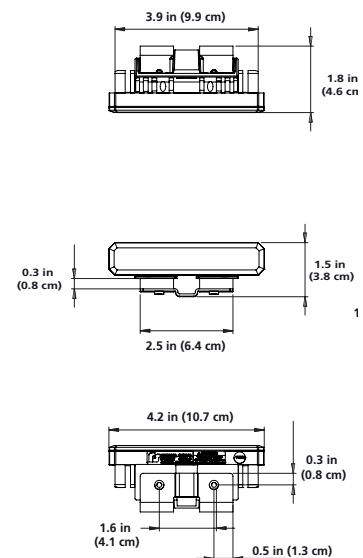
MPSM6-SB



MPSM6-SPACRKT



MPSM650-SPACRKT



MicroPulse is a trademark of Federal Signal Corporation.

