



FEDERAL SIGNAL
Safety and Security Systems

Low Hook-On Mounting Kit for Integrity[®], Legend[®], and Navigator[®]

Installation Instructions

25500377

Rev. A2 0520

© Copyright 2017-2019 Federal Signal Corporation.

Limited Warranty

This product is subject to and covered by a limited warranty, a copy of which can be found at www.fedsig.com/SSG-Warranty. A copy of this limited warranty can also be obtained by written request to Federal Signal Corporation, 2645 Federal Signal Drive, University Park, IL 60484, email to info@fedsig.com or call +1 708-534-3400.

This limited warranty is in lieu of all other warranties, express or implied, contractual or statutory, including, but not limited to the warranty of merchantability, warranty of fitness for a particular purpose and any warranty against failure of its essential purpose.



FEDERAL SIGNAL Safety and Security Systems

2645 Federal Signal Drive
University Park, Illinois 60484

www.fedsig.com

Customer Support

Police/Fire-EMS: 800-264-3578 • +1 708 534-3400

Work Truck: 800-824-0254 • +1 708 534-3400

Technical Support 800-433-9132 • +1 708 534-3400

All product names or trademarks are properties of their respective owners.

Contents

Introduction.....	7
Unpacking the Kit.....	7
Preparing the Mounting Plate Assembly.....	8
Installing the Mounting Foot on the Light Bar.....	8
Installing the Light Bar on the Vehicle Roof	10

Tables

Table 1 Kit Contents	7
----------------------------	---

Figures

Figure 1 Preparing the mounting plate.....	8
Figure 2 Securing the foot to the light bar.....	9
Figure 3 Inboard position for the mounting foot on the vehicle.....	10
Figure 4 Outboard position for the mounting foot on the vehicle..	10

Installation Instructions

Safety Message to Installers and Service Personnel

⚠ WARNING

People's lives depend on your proper installation and servicing of Federal Signal products. It is important to read and follow all instructions shipped with this product. In addition, listed below are some other important safety instructions and precautions you should follow:

- To properly install or service this equipment, you must have a good understanding of automotive mechanical and electrical procedures and systems, along with proficiency in the installation and service of safety warning equipment. Always refer to the vehicle's service manuals when performing equipment installations on a vehicle.
- To be an effective warning device, this product produces bright light that can be hazardous to your eyesight when viewed at a close range. Do not stare directly into this lighting product at a close range, or permanent damage to your eyesight may occur.
- Do not install the light system in an area that would block, impair, or blind the driver's vision. Ensure that the light system is mounted in a position that is outside the driver's field of vision so the driver can safely operate the vehicle.
- A light system is a high current system. For the system to function properly, a separate negative (-) connection and positive (+) connection must be made. All negative connections should be connected to the negative battery terminal, and a suitable fuse should be installed on the positive battery terminal connection as close to the battery as possible. Ensure that all wires and fuses are rated correctly to handle the device and system amperage requirements.
- Never attempt to install aftermarket equipment that connects to the vehicle wiring without reviewing a vehicle wiring diagram available from the vehicle manufacturer. Ensure that your installation will not affect vehicle operation or mandated safety functions or circuits. Always check the vehicle for proper operation after installation.

- The lighting system components, especially the outer housing, get hot during operation. Be sure to disconnect power to the system and allow the system to cool down before handling any components of the system.
- Do not mount a radio antenna within 18 inches (45.7 cm) of the lighting system. Placing the antenna too close to the lighting system could cause the lighting system to malfunction or be damaged by strong radio fields. Mounting the antenna too close to the lighting system may also cause the radio noise emitted from the lighting system to interfere with the reception of the radio transmitter and reduce radio reception.
- Do not attempt to wash any unsealed electrical device while it is connected to its power source.
- DO NOT connect this system to the vehicle battery until ALL other electrical connections are made, mounting of all components is complete, and you have verified that no shorts exist. If the wiring is shorted to the vehicle body or frame, high current conductors can cause hazardous sparks, resulting in electrical fires or flying molten metal.
- DO NOT install equipment or route wiring (or the plug-in cord) in the deployment path of an airbag.
- Before drilling into a vehicle structure, ensure that both sides of the surface are clear of anything that could be damaged. Remove all burrs from drilled holes. To prevent electrical shorts, grommet all drilled holes through which wiring passes. Also, ensure that the mounting screws do not cause electrical or mechanical damage to the vehicle.
- Because vehicle roof construction and driving conditions vary, do not drive a vehicle with a magnetically mounted warning light installed. The light could fly off the vehicle, causing injury or damage. Repair of damage incurred because of ignoring this warning shall be the sole responsibility of the user.
- Locate the light system controls so the VEHICLE and CONTROLS can be operated safely under all driving conditions.

Installation Instructions

- After installation, test the light system to ensure that it is operating properly.
- Test all vehicle functions, including horn operation, vehicle safety functions, and vehicle light systems to ensure proper operation. Ensure that the installation has not affected the vehicle operation or changed any vehicle safety function or circuit.
- Scratched or dull reflectors or lenses will reduce the effectiveness of the lighting system. Avoid heavy pressure and use of caustic or petroleum-based products when cleaning the lighting system.
- Replace any optical components that may have been scratched or crazed during system installation.
- Do not attempt to activate or deactivate the light system controls while driving in a hazardous situation.
- You should frequently inspect the light system to ensure that it is operating properly and that it is securely attached to the vehicle.
- After installation and testing are complete, provide a copy of these instructions to instructional staff and all operating personnel.
- File these instructions in a safe place and refer to them when maintaining and/or reinstalling the product. Failure to follow all safety precautions and instructions may result in property damage, serious injury, or death.

Introduction

This publication provides instructions for installing the Low Hook-On Mounting Kit. A vehicle-specific mounting hook that completes the installation is purchased separately. The Low Hook mount is not suitable for use with the External Opticom, 795H-EXT-D or 795H-EXT-P.

Unpacking the Kit

After unpacking the product, inspect it for damage that may have occurred in transit. If it has been damaged, do not attempt to install or operate it. File a claim immediately with the carrier, stating the extent of damage. Carefully check all envelopes, shipping labels, and tags before removing or destroying them. Ensure that the parts listed in Table 1 are included in the package.

Table 1 Kit Contents

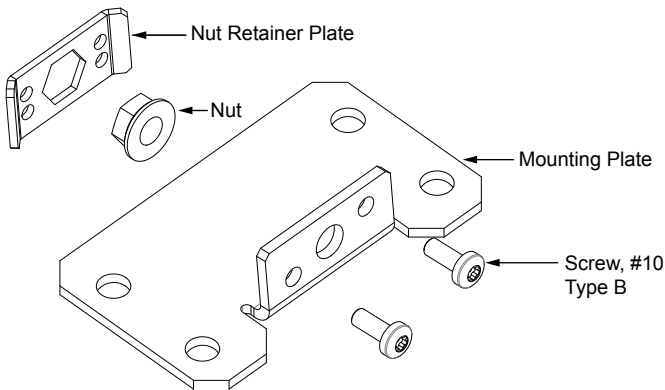
Qty.	Description	Part Number
2	Foot, Low, Intg	864901847
4	Pad, Low Foot, Intg	864901848
12	Spacer, Low Foot, Intg	864901849
2	Plate, Mtg, Low, Intg	864901850
2	Retainer, Nut	8583490
8	Screw, Plastite® Eq, #10 6 Lobe, Stl, Black	70000612-12
8	Bolt, Crg, 5/16-18, Sqr Neck	7004025-14
8	Nut, 5/16-18, Hi-Corr. Resi	7059125
8	Wash, Flat, stainless steel, .344X3/4X.050	7072A031
8	Lockwasher, Split 5/16 screw stainless steel	7074A020
2	Nut, Flange, 5/16-18, Hi-Corr. Resi	7065078
4	Screw, #10 Type B, 6 Lobe, Stl, Black	7011246-08

Installation Instructions

Preparing the Mounting Plate Assembly

Secure the flange nut to the mounting plate using the nut retainer and two #10 Type B screws. Do not overtighten. Repeat for the other side. See Figure 1.

Figure 1 Preparing the mounting plate



Installing the Mounting Foot on the Light Bar

Refer to the installation and maintenance instructions included with the light bar for electrical installation instructions. Plan all cable routing before the installation.

⚠ WARNING

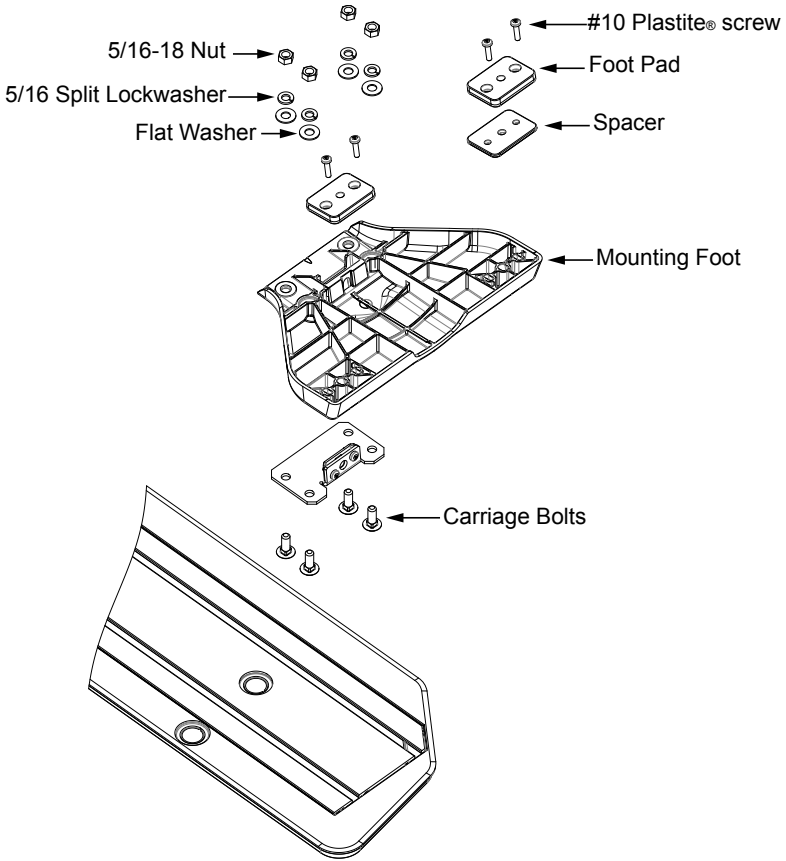
HEAVY OBJECT: Use lifting aids and proper lifting techniques when removing or replacing this product. Failure to follow this warning may cause personal injury.

To install the mounting foot on the light bar:

1. Place the light bar upside down on soft rags or cardboard to avoid marring the plastic domes.
2. Insert two 5/16-18 carriage bolts into each track (four total) through the center access holes in the light bar. See Figure 2.
3. Position the bolts to match the holes in the mounting foot.

- Place the prepared mounting plate assembly and foot over the four carriage bolts. Install four flat washers, lockwashers, and 5/16-18 nuts on the carriage bolts, leaving the nuts just loose enough to reposition the mounting foot. Do not tighten the nuts yet.

Figure 2 Securing the foot to the light bar



Installation Instructions

Figure 3 Inboard position for the mounting foot on the vehicle

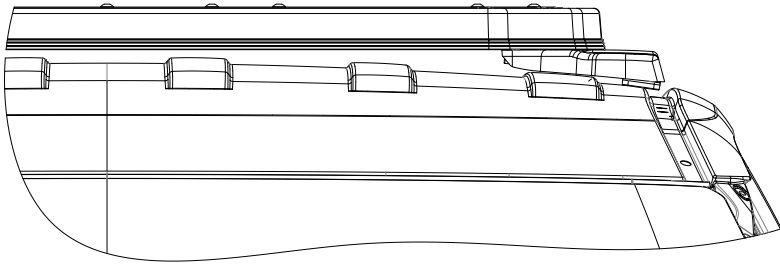
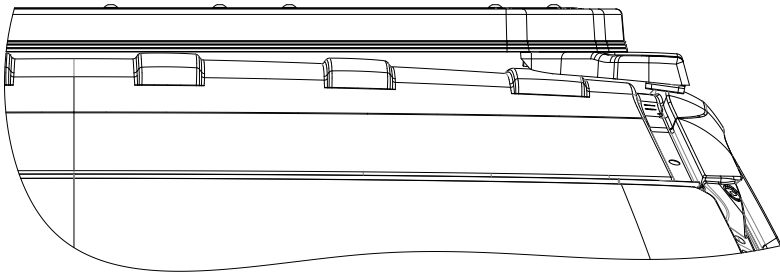


Figure 4 Outboard position for the mounting foot on the vehicle



5. Start with a pad on the rear, and one spacer and one pad to the front, and temporarily attach them to the mounting foot with tape.
6. Repeat steps 1 through 5 on the other side of the light bar.

Installing the Light Bar on the Vehicle Roof

To install the light bar on the vehicle roof:

1. Place the light bar assembly on the vehicle roof at the selected location. Usually the light bar assembly should be installed so that the mounting hooks attach at the door center post (B-pillar). Before proceeding, see the instructions provided with the separately purchased mounting hook kit.
2. Adjust both mounting foot assemblies in or out as necessary until the foot pads rest near the edge of the roof or gutter where the roof is the most rigid. See Figures 3 and 4.
3. Ensure that the light bar is level. To level it, use additional

spacers and/or reposition the light bar assembly slightly forward or backward. Verify that there is no contact that may mar or damage the roof. Add spacers as necessary. If adequate clearance cannot be obtained, use the standard mount foot kit (8653134).

4. Remove the light bar from the vehicle roof and place it on soft rags or cardboard to avoid marring the plastic domes.

<i>NOTICE</i>

PROPERLY TIGHTEN NUTS: To avoid damaging the light bar, do not overtighten the nuts.

5. Turn the light bar over so that the bottom faces up. Torque the nuts on the four 5/16-inch bolts on each mounting foot 120 in-lb to 132 in-lb.
6. Secure the foot pads and spacers with the #10 Plastite® screws.
7. Place the light bar on the vehicle roof in the selected position.
8. To fasten the mounting hook, refer to the instructions included with the Keeper Plate Kit.

Getting Technical Support and Service

Installation Instructions

For technical support and service, please contact:

Service Department
Federal Signal Corporation
Phone: 1-800-433-9132
Email: empserviceinfo@fedsig.com
www.fedsig.com

Getting Repair Service

The Federal Signal factory provides technical assistance with any problems that cannot be handled locally.

Any units returned to Federal Signal for service, inspection, or repair must be accompanied by a Return Material Authorization (RMA). Obtain a RMA from a local Distributor or Manufacturer's Representative.

Provide a brief explanation of the service requested, or the nature of the malfunction.

Address all communications and shipments to the following:

Federal Signal Corporation
Service Department
2645 Federal Signal Drive
University Park, IL 60484-3167



FEDERAL SIGNAL
Safety and Security Systems

2645 Federal Signal Drive
University Park, Illinois 60484

www.fedsig.com

Customer Support

Police/Fire-EMS: 800-264-3578 • +1 708 534-3400

Work Truck: 800-824-0254 • +1 708 534-3400

Technical Support 800-433-9132 • +1 708 534-3400