

25500113 Rev. B0 0917

Safety Message to Installers of Warning Light Equipment

▲ WARNING

People's lives depend on your proper installation and servicing of Federal Signal products. It is important to read and follow all instructions shipped with this product and the original product. In addition, listed below are some other important safety instructions and precautions you should follow:

- To properly install the lighting system, you must have a good understanding of automotive systems, along with proficiency in the installation and use of safety warning equipment.
- Read all instructions thoroughly and plan all wiring and cable routing before performing any installation. Use installer-supplied grommets, wire ties, looms, and cable mounts as needed to secure the wiring and prevent the chafing of the wiring.
- Do not install equipment or route wiring in the deployment path of an airbag. Failure to observe this warning will reduce the effectiveness of the airbag or potentially dislodge the equipment, causing serious injury or death.
- If a vehicle seat is temporarily removed, verify with the vehicle manufacturer if the seat needs to be recalibrated for proper airbag deployment.
- You should frequently inspect the light system to ensure that it is operating properly and that it is securely attached to the vehicle.
- When drilling into a vehicle structure, be sure that both sides of the surface are clear of anything that could be damaged.
- Refer to the instructions packed with related products for additional precautions and information.
- File these instructions in a safe place and refer to them when maintaining and/or reinstalling the product.
- Do not stare directly into the lights at a close range or permanent damage to your eyesight may occur.

Failure to follow all precautions and instructions may result in property damage, serious injury, or death.

Introduction

This publication has instructions for installing the Federal Signal Commander Models COM550, COM750 and COM1200 LED Light Modules. The lights have stainless steel brackets and hardware that permit horizontal and vertical adjustment.

Unpacking the Product

After unpacking the kit, inspect it for damage that may have occurred in transit. If it has been damaged, do not attempt to install or operate it. File a claim immediately with the carrier, stating the extent of damage. Carefully check all envelopes, shipping labels, and tags before removing or destroying them. Ensure that the parts are included in the package. If you are missing any parts, contact Customer Support at 1-800-264-3578, 7 a.m. to 5 p.m., Monday through Friday (CT).

Installing the LED Modules

To install the LED modules:

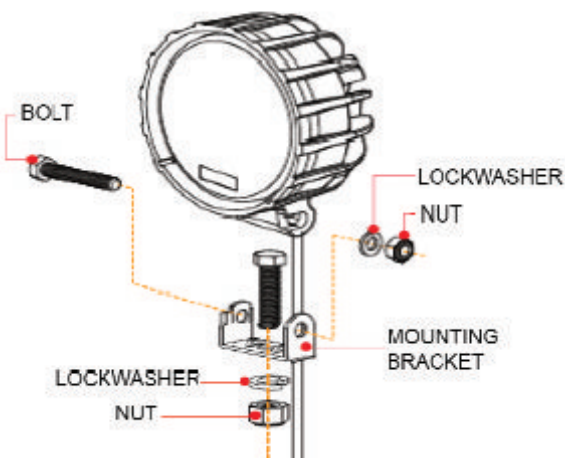
1. Determine the mounting location for the light module and the Installer-supplied control switch.
2. Drill a 3/8 in (9.525 mm) hole at the mounting location for the mounting stud. Use the supplied lockwasher and nut to secure the bracket to the vehicle as shown in the illustration.

OPERATION

RED or WHITE wire: To +Vdc

BLACK wire: To Chassis Ground (-)

INSTALLATION

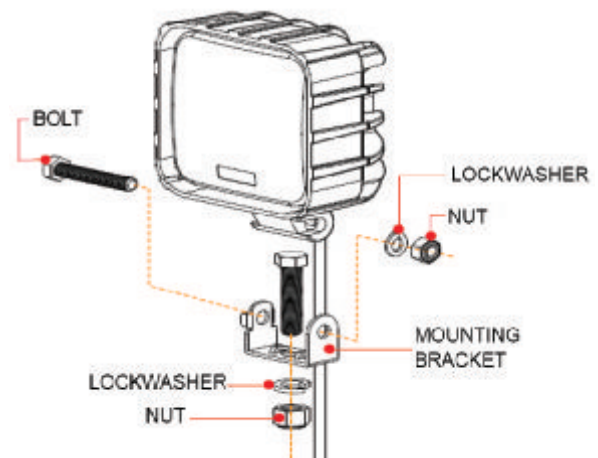


OPERATION

RED or WHITE wire: To +Vdc

BLACK wire: To Chassis Ground (-)

INSTALLATION



3. Route an 18 AWG wire from the power source to the location of the control switch. Install a user-supplied fuse and fuseholder as close as possible to the power source. The Model COM1200 requires a 5 A fuse. Models COM550 and COM750 require a 3 A fuse.
4. Route an 18 AWG wire from the switch to the location of the LED module.
5. Route an 18 AWG wire from the installation area of the LED module to the nearest convenient chassis ground. The battery is recommended.
6. The wire functions of the LED module are:
black: ground (-);
red (+)
7. Check the wiring and test the LED Module for proper operation.

Getting Technical Support and Service

For technical support and service, please contact:

Customer Support: 1-800-264-3578 / 1-708-534-3400

Service: 1-800-433-9132

Fax: 1-800-343-9706, email: empserviceinfo@fedsig.com

Hours: Monday - Friday, 7 am - 5 pm CST

www.fedsig.com