

## **Safety Message to Installers and Service Personnel of Emergency Vehicle Safety Equipment**

### **▲ WARNING**

People's lives depend on your proper installation and servicing of Federal Signal products. It is important to read and follow all instructions shipped with this product. In addition, listed below are some other important safety instructions and precautions you should follow:

### **Before Installation or Service**

#### *Qualifications*

- To properly install or service this equipment, you must have a good understanding of automotive electrical procedures and systems along with proficiency in the installation and service of safety warning equipment. Always refer to the vehicle service manuals when installing equipment on a vehicle.

#### *Electrical Hazards*

- Never attempt to install aftermarket equipment that connects to the vehicle wiring without reviewing a vehicle wiring diagram available from the vehicle manufacturer. Ensure that your installation will not affect vehicle operation and safety functions or circuits.

### **During Installation or Service**

- To avoid a battery explosion, always disconnect the negative battery cable first and reconnect it last. Avoid causing a spark when connecting near or to the battery. The gasses produced by a battery can cause a battery explosion that could result in vehicle damage and serious injury.
- Do not install equipment or route wiring or a plug-in cord in the deployment path of an airbag.
- Before mounting any components, check the manual to be sure that the component you are installing is suitable for use in that area of the vehicle. Many components are not suitable for use in the engine compartment or in other areas subject to extreme environmental exposure.
- When drilling into a vehicle structure, ensure that both sides of the surface are clear of anything that could be damaged. Remove all burrs from drilled holes to prevent electrical shorts, grommet all drilled holes through which wiring passes. Also ensure that mounting screws do not cause electrical or mechanical damage to the vehicle.

### **After Installation or Service**

- To ensure proper operation, test all vehicle functions, including horn operation, vehicle safety functions, and vehicle light systems. Ensure that installation has not affected vehicle operation or changed any vehicle safety function or circuit.
- After installation and testing are complete, provide a copy of these instructions to instructional staff and all operating personnel.
- File these instructions in a safe place and refer to them when maintaining and/or reinstalling the product.

Failure to follow all safety precautions and instructions may result in property damage, serious injury, or death.

## Unpacking the Product

After unpacking the product, inspect it for damage that may have occurred in transit. If it has been damaged, do not attempt to install or operate it. File a claim immediately with the carrier, stating the extent of the damage. Failure to identify damage before installation could lead to rejection of any claim. Carefully check all envelopes, shipping labels, and tags before removing or destroying them. Ensure that the parts listed in Table 1 are included in the package. If you are missing any parts, contact Federal Signal Customer Support at 1-800-264-3578, 7 a.m. to 5 p.m., Monday through Friday (CT).

### **⚠ WARNING**

***PUSH BUMPER PRECAUTION: Installing a push bumper on a vehicle may raise the vehicle's minimum collision speed for airbag deployment. It is imperative that police officers wear safety belts when operating the motor vehicle. Failure to follow this warning may cause serious injury or death.***

### **NOTICE**

***THREAD DAMAGE AND GALLING: To prevent thread damage and galling, anti-seize lubricant must be used on all stainless steel fasteners.***

**Table 1 DFC-TCP Kit Contents**

Item	Description	Qty.
1	Top Channel Cover, No Lights	1
2	1/4-20 x 1/2-inch Button Head Bolt	5
3	No. 6-32 x 1/2-inch Button Head Bolt	8
4	1/4-inch Lock Washer	5
5	No. 6 Lock Washer	8
6	No. 6-32 Hex Nut	8

**Table 2 DFC-TC2L Kit Contents**

Item	Description	Qty.
7	Top Channel Cover, 2 Lights	1
8	Top Channel MPS Light Bracket	1
2	1/4-20 x 1/2-inch Button Head Bolt	5
3	No. 6-32 x 1/2-inch Button Head Bolt	8
4	1/4-inch Lock Washer	5
5	No. 6 Lock Washer	8
6	No. 6-32 Hex Nut	8

**Table 3 DFC-TC4L Kit Contents**

Item	Description	Qty.
9	Top Channel Cover, 4 Lights	1
8	Top Channel MPS Light Bracket	1
2	1/4-20 x 1/2-inch Button Head Bolt	5
3	No. 6-32 x 1/2-inch Button Head Bolt	8
4	1/4-inch Lock Washer	5
5	No. 6 Lock Washer	8
6	No. 6-32 Hex Nut	8

## Installing the Top Channel

### **CAUTION**

**FASTENERS PRECAUTION:** Double check all fasteners before initial use and periodically in the future to ensure proper function and safety.

**FOR CALIFORNIA RESIDENTS ONLY; PROPOSITION 65 WARNING:** Some products may contain chemicals such as DEHP, which can cause cancer, birth defects, or other reproductive harm. For more information, go to [www.p65warnings.ca.gov](http://www.p65warnings.ca.gov).

To install the top channel cover on the push bumper:

**NOTE:** If you are not installing lights to the top channel, proceed to step 4.

1. Install the MPS lights (not included) to the MPS light bracket (item 8) in the appropriate positions using the 6-32 hardware included in this kit. See Figure 1 and 2.

Figure 1 DFC-TC2L Light Locations

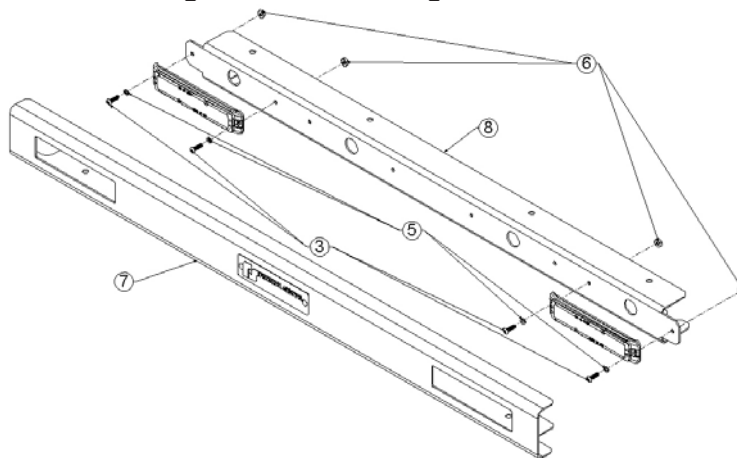
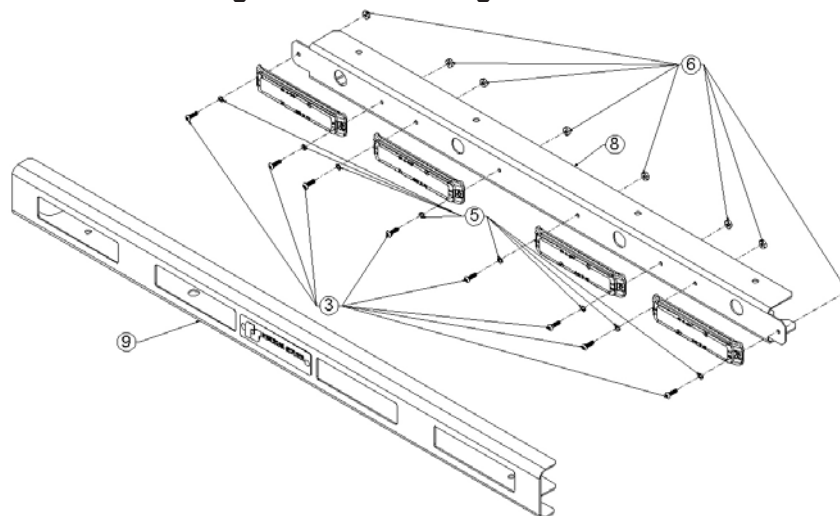
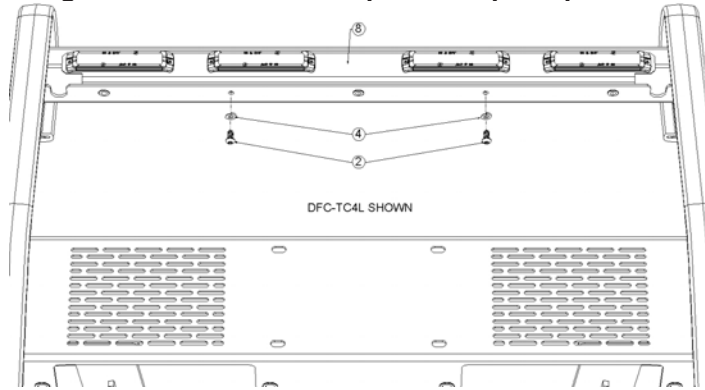


Figure 2 DFC-TC4L Light Locations



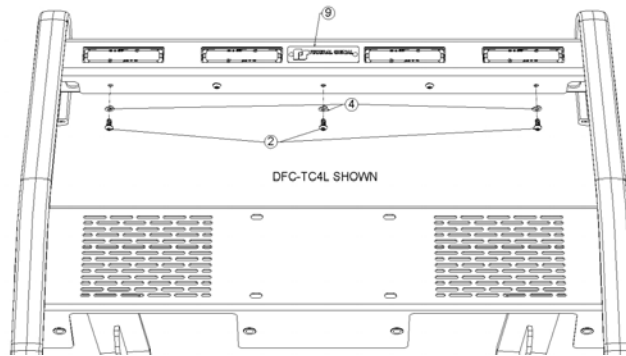
2. Wire all light heads according to the instructions packed with the light.
3. Using the 1/4-inch button head bolts and lock washers, attach the MPS bracket to the push bumper top channel. See Figure 3.

**Figure 3 Attach bracket to push bumper top channel**



4. Install the top channel cover (Item 1, 7, or 9) as shown in Figure 4 using the 1/4-inch button head bolts and lock washers.

**Figure 4 Install top channel cover**



### **Maintaining the Top Channel**

Regularly clean the textured powder coat finishes with either a soft cloth or a brush with a mild soap and warm water. Avoid using any harsh chemicals, as this will damage the product's finish. Pressure washing this product is the most efficient way to remove heavy dirt and grime. The pressure washer should be used on a low pressure setting with filtered water for best results. Using high pressure can damage the product's finish.



2645 Federal Signal Drive  
University Park, Illinois 60484-3167

[www.fedsig.com](http://www.fedsig.com)

Customer Support

Police/Fire-EMS: 800-264-3578 • +1 708 534-3400

Work Truck: 800-824-0254 • +1 708 534-3400

Technical Support: 800-433-9132 • +1 708 534-3400

© Copyright 2022 Federal Signal Corporation

All product names or trademarks are properties of their respective owners.