



► Model IS-DS100X

Hazardous Location 100W Amplified Directional Speaker

The IS-DS100X Directional Speaker is an indoor or outdoor, non-metallic, 100W amplified speaker that can be used in any hazardous location requiring audio amplification. The IS-DS100X has an internal 100-watt amplifier capable of amplifying audio-level signals from either 10 or 25 Vrms systems, such as the Federal Signal 300VSC SelectTone® Command Unit, to broadcast 100-watt high quality, high-powered tones, pre-recorded voice messages, and live PA. Model 300VSC is a central control device that can generate up to four different tone signals on a line that is connected to remote speaker/amplifiers in a SelectTone® System. Connect the 300VSC with multiple IS-DS100Xs to use the features of the controlling unit (300VSC).

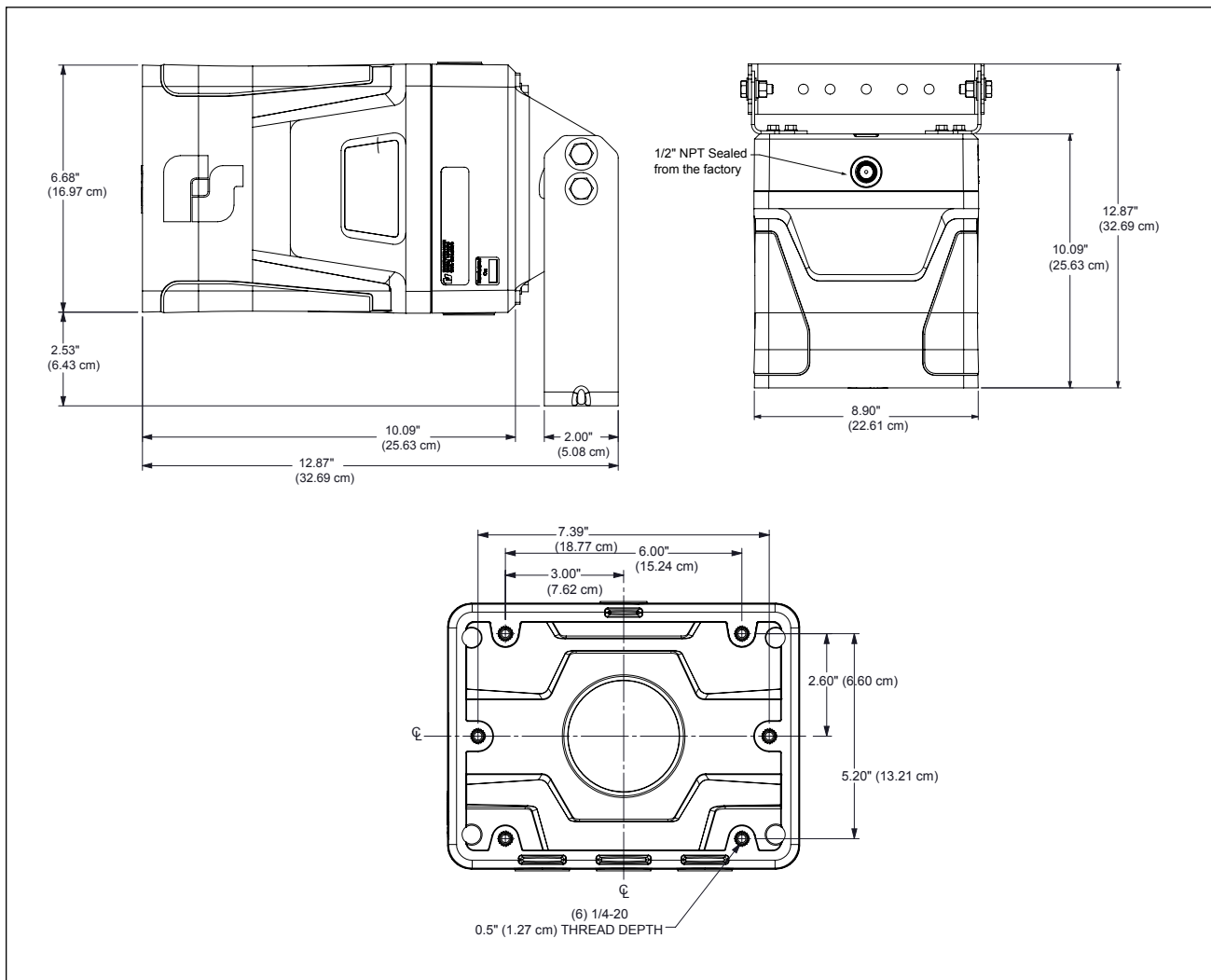
The IS-DS100 features a multi-voltage design that accepts 24VDC, 120VAC or 240VAC and has a wide range of mounting options. It has a 1/2-inch NPT opening on the top of the speaker and the bottom of the speaker has three 3/4-inch NPT openings to allow access to power in/out and audio in/out. It also comes with an adjustable stainless steel wall mount bracket that allows the angle of the speaker to be adjusted. Optional pole mount brackets are available for small and large diameter poles

FEATURES

- High-powered indoor/outdoor amplified speaker
- Multi-voltage design accepts 24VDC, 120VAC, or 240VAC
- Non-metallic enclosure
- Can be combined with 300VSC SelectTone Command Unit to broadcast 100-watt high quality, high-powered tones, pre-recorded voice messages, and live PA
- Speaker rated at 120 dBa for tones @ 10' (130 dBa @ 1M)
- Includes an adjustable, stainless steel, wall mount bracket
- Optional pole mount brackets sold separately
- Type 4X, IP66 enclosure
- UL and cUL Listed for Class I, Division 2, Groups A, B, C, D; Class II, Division 2, Groups F and G; and Class III locations

| MODEL | VOLTAGE | AUDIO INPUT VOLTAGE | OPERATING CURRENT | STANDBY CURRENT | DECIBELS | |
|----------|----------------|---------------------|-------------------|-----------------|----------|-----|
| | | | | | 10' | 1M |
| IS-DS100 | 24VDC | 10 or 25V Vrms | 5.15A | 100mA | 120 | 130 |
| | 120VAC 50/60Hz | 10 or 25V Vrms | 1.50A | 26mA | 120 | 130 |
| | 240VAC 50/60Hz | 10 or 25V Vrms | 820mA | 21mA | 120 | 130 |

100W Amplified Directional Speaker (IS-DS100X)



HAZARDOUS LOCATION RATING: IS-DS100X

T-CODE AT MAXIMUM AMBIENT TEMPERATURE, °C

| | |
|-----------------------------------|------|
| Hazardous Location | 66°C |
| Class I, Div 2, Groups A, B, C, D | T4A |
| Class II, Div 2, Groups F, G | T4A |
| Class III | T4A |

SPECIFICATIONS

| | | |
|-----------------------|---------------|----------------|
| Operating Temperature | -40°C to 60°C | -40°F to 140°F |
| Rated Power: | 100W | |
| Net Weight: | 19.0 lb | 8.6 kg |
| Shipping Weight: | 19.2 lb | 8.7 kg |
| Height: | 6.68" | 16.97 cm |
| Width: | 8.90" | 22.61 cm |
| Depth: | 10.09" | 25.63 cm |

HOW TO ORDER

Specify Model:

IS-DS100X – Hazardous Location 100W Amplified Directional Speaker

OPTIONAL ACCESSORIES

Description

Small
(2-3/4 to 4-1/2 inch diameter)
Pole Mount Bracket

Large
(6 inch diameter or larger)
Pole Mount Bracket

Part Number

IS-I-IP100-PM

IS-I-IP100-PMW