



Ex d Surface Mount Ex d Trunnion Mount Ex de Surface Mount



► Model G-STR

Global Series® Hazardous Location Strobe

Federal Signal's patented Global Series® 15 joule and 21 joule strobes feature a high-intensity xenon strobe tube. The housing is made from non-metallic materials designed to serve the demanding needs of offshore marine and land-based industrial applications, and can dramatically reduce the cost of long-term maintenance.

The flameproof "Ex d" versions come standard with two (2) M20 entries. The increased safety "Ex de" versions include a separate terminal chamber for quick field termination or pass-through wiring, and include three (3) M20 entries in a standard configuration.

The Global Series Strobe can be combined with all other Global Series audible and visual products in several custom configurations. Custom configurations can be ordered directly from the factory. Optional coupling kits, which allow limited field fixturing, are available.

FEATURES

- Available in 24VDC, 120VAC and 220-240VAC 50/60Hz
- Optional 316 stainless steel ratchet adjustable mounting U-bracket (field installation required)
- Non-metallic corrosion resistant design
- 24VDC models contain a supervisory diode and four wire terminal block
- For use in alarm control panel applications
- Dome guard included
- M20 entries standard
- Optional indicator rings are available in six colors: Black, Blue, Green, Magenta, Red and Yellow
- Field customizable legend plates available¹
- Type 4X, IP66 enclosure
- IP67, IP69K complaint
- Marine Rated
- Zone 1, 21 Rated, IECEx, ATEX, Ex d IIC, Ex de IIC and Ex tb IIIC
- UL and cUL Listed for Class I, Division 2, Groups A, B, C and D; Class II, Division 2, Groups F and G; Class III
- UL and cUL Listed for Class I, Zone 1 AEx db IIC T3: Zone 21, AEx tb IIIC T200°C
- UL Fire Listed (24VDC, Clear 21J Strobe and Sounder only)
- UKEX certified

MODEL	OPERATING VOLTAGE	NOMINAL OPERATING CURRENT		LIGHT OUTPUT		FLASH RATE	
		15J	21J	15J	21J	15J	21J
G-STR	24VDC	0.83 amps	1.5 amps	300 cd	500 cd	60	60
	120VAC 50/60Hz	0.33 amps	0.45 amps	300 cd	500 cd	60	60
	220-240VAC 50/60Hz	0.19 amps	0.34 amps	300 cd	500 cd	60	60

UL/cUL HAZARDOUS LOCATION RATING

TEMPERATURE CODE AT 70°C

Class I, Division 2, Groups A, B, C, D	T3
Class II, Division 2, Groups F, G	T4A
Class III	T4A

ATEX/IECEx HAZARDOUS LOCATION RATING

TEMPERATURE CODE AT 70°C

15J	21J
T4	T3

UL/cUL HAZARDOUS LOCATION CLASS/ZONE

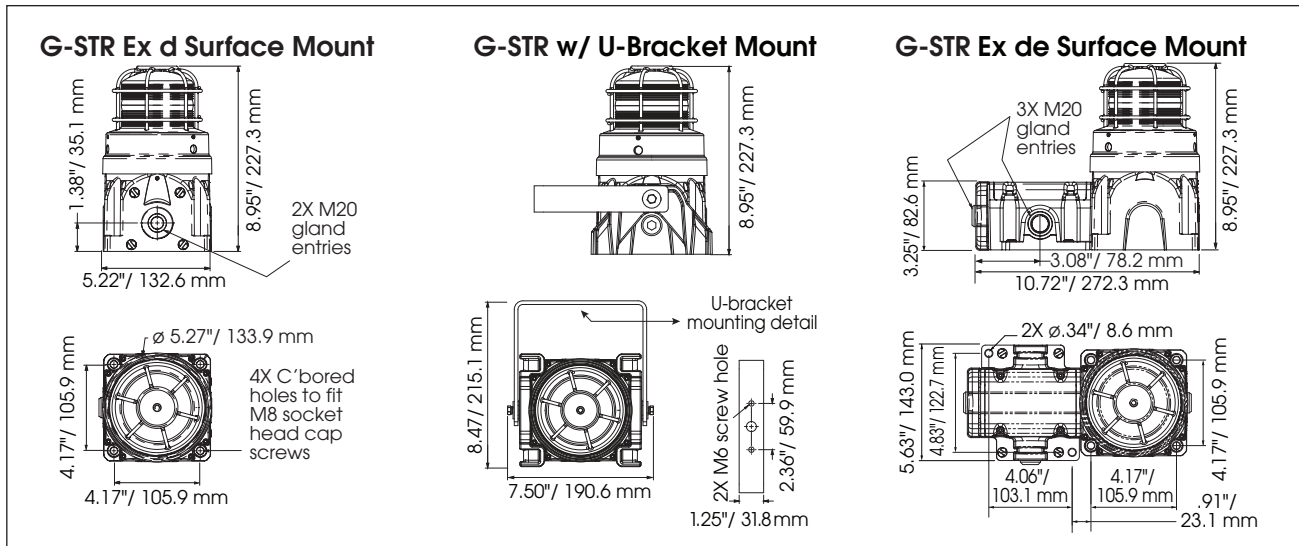
TEMPERATURE CODE AT 70°C

T3

¹ Recommended labels: BRADY #B-855 Toughwash labels or ULINE #S-16643 weather resistant



Global Series® Hazardous Location Strobe (G-STR)



SPECIFICATIONS

Lamp Life:	10,000 Hours
Light Source:	Strobe
Operating Temperature Range:	-67°F to 158°F -55°C to 70°C
15J ATEX/IECEX Certification Marking:	
II 2GD Ex d IIC Gb, Ex tb IIIC Db IP66.	T4 @ 70°C
II 2GD Ex de IIC Gb, Ex tb IIIC Db IP66.	T4 @ 70°C
	ATEX: Baseefa15ATEX0154X
	IECEX: IECEX BAS 15.0103X
21J ATEX/IECEX Certification Marking:	
II 2GD Ex d IIC Gb, Ex tb IIIC Db IP66.	T3 @ 70°C
II 2GD Ex de IIC Gb, Ex tb IIIC Db IP66.	T3 @ 70°C
	ATEX: Baseefa15ATEX0154X
	IECEX: IECEX BAS 15.0103X
Guard and External Fasteners:	316 stainless steel
Terminals:	Ex d: 6 way block (3 in, 3 out)
	Ex de: 3-pole, 4 position quad pole terminal blocks
Cable Entries:	Ex d: 2 entries - M20 x 1.5
	Ex de: 3 entries - M20 x 1.5
UL and cUL Certification Marking:	
Class I, Division 2, Groups A, B, C, D	T3 @ 70°C
Class II, Division 2, Groups F, G	T4A @ 70°C
Class III	T4A @ 70°C
Net Product Weight	
Ex d Surface Mount:	7.17 lbs 3.25 kg
Ex d U-Bracket Mount:	9.15 lbs 4.15 kg
Ex de Surface Mount:	9.99 lbs 4.53 kg

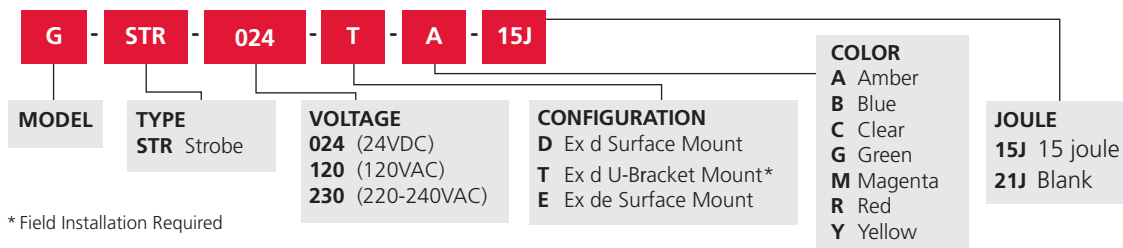
REPLACEMENT PARTS

Description	Part Number
Lens Guard	K859500821-01
Lens, Amber	K859500814
Lens, Blue	K859500814-01
Lens, Clear	K859500814-02
Lens, Green	K859500814-03
Lens, Red	K859500814-04
Lens, Magenta	K859500814-05
Lens, Yellow	K859500814-06
Strobe Tube Only	K8107177A
Strobe Tube, 15J, PCBA 24VDC Kit	K859501402-024-15J
Strobe Tube, 15J, PCBA 120VAC Kit	K859501402-120-15J
Strobe Tube, 15J, PCBA 240VAC Kit	K859501402-230-15J
Strobe Tube, 21J, PCBA 24VDC Kit	K859501402-024
Strobe Tube, 21J, PCBA 120VAC Kit	K859501402-120
Strobe Tube, 21J, PCBA 240VAC Kit	K859501402-230

ACCESSORIES

E-Box Endcap with M20 Opening	K859500805-02
E-Box Endcap with M25 Opening	K859500805-01
E-Box Cover Assembly (Includes two terminal blocks, mounting plate, retention hardware)	K859501414
Adapter, M20 Male to 1/2" Female NPT	K231246A
Adapter, M20 Male to 3/4" Female NPT	K231247
Wall Mount Bracket	G-KIT-WBKT

HOW TO ORDER



#850000785 Rev. A0