



Ex d Surface Mount



Ex d Trunnion Mount



Ex de Surface Mount

► Model G-SPK

# Global Series® Hazardous Location Loudspeaker

Global Series® Loudspeakers utilize the latest techniques in non-metallic housing construction to improve corrosion resistance and reduce weight when compared to traditional metal housings. The Global Series Loudspeakers flameproof Ex d versions come standard with two (2) M20 entries. The increased safety Ex de versions include a separate terminal chamber for quick field termination or pass-through wiring, and includes three (3) M20 entries in a standard configuration.

Global Series Loudspeakers are available as 15 watt devices, and are designed to accept an audio input of either 70 Vrms or 100 Vrms (model-specific). Five (5) remotely selectable tap settings are available at each of the high and low volume settings (user configurable)<sup>1</sup>.

The Global Series Loudspeaker can be combined with all other Global Series audible and visual products in several custom configurations. Custom configurations can be ordered directly from the factory. Optional coupling kits, which allow limited field fixturing, are available.

## FEATURES

- Loudspeaker available in 70 Vrms or 100 Vrms
- Optional 316 stainless steel ratchet adjustable mounting U-bracket (field installation required)
- Non-metallic corrosion resistant design
- 15 watt design
- Field customizable legend plates available<sup>2</sup>
- Two M20 entries standard on Ex d models, three M20 entries standard on Ex de models
- Optional indicator rings are available in six colors: Black, Blue, Green, Magenta, Red and Yellow
- Type 4X, IP66 enclosure
- Zone 1, 21 Rated, IECEx, ATEX, Ex d IIC, Ex de IIC and Ex tb IIIC
- UL and cUL Listed for Class I, Division 2, Groups A, B, C and D; Class II, Division 2, Groups F and G; Class III
- UL and cUL Listed for Class I, Zone 1 AEx db IIC T4: Zone 21, AEx tb IIIC T4/135°C
- UKEX certified

MODEL	AUDIO LEVEL	MAX CURRENT DRAW	DECIBELS <sup>3</sup>	
			10'	1M
G-SPK	70 Vrms	0.160 amps	100	110
	100 Vrms	0.110 amps	100	110

VOLUME SETTING	AVAILABLE TAPS
High	15, 10, 7, 5, 2
Low	1, 0.7, 0.5, 0.3, 0.1

<sup>1</sup> Refer to application guide for specific wiring details

<sup>2</sup> Recommended labels: BRADY #B-855 Toughwash labels or ULINE #S-16643 weather resistant

<sup>3</sup> Measured using a reference frequency of 1.25 kHz at nominal input voltage

### UL/cUL HAZARDOUS LOCATION RATING

#### TEMPERATURE CODE AT 70°C

Class I, Division 2, Groups A, B, C, D T4

Class II, Division 2, Groups F, G T6

Class III T6

### UL/cUL HAZARDOUS LOCATION CLASS/ZONE

#### TEMPERATURE CODE AT 70°C

T4

### ATEX/IECEx HAZARDOUS LOCATION RATING

#### TEMPERATURE CODE AT 49°C

T5 (in IIB)

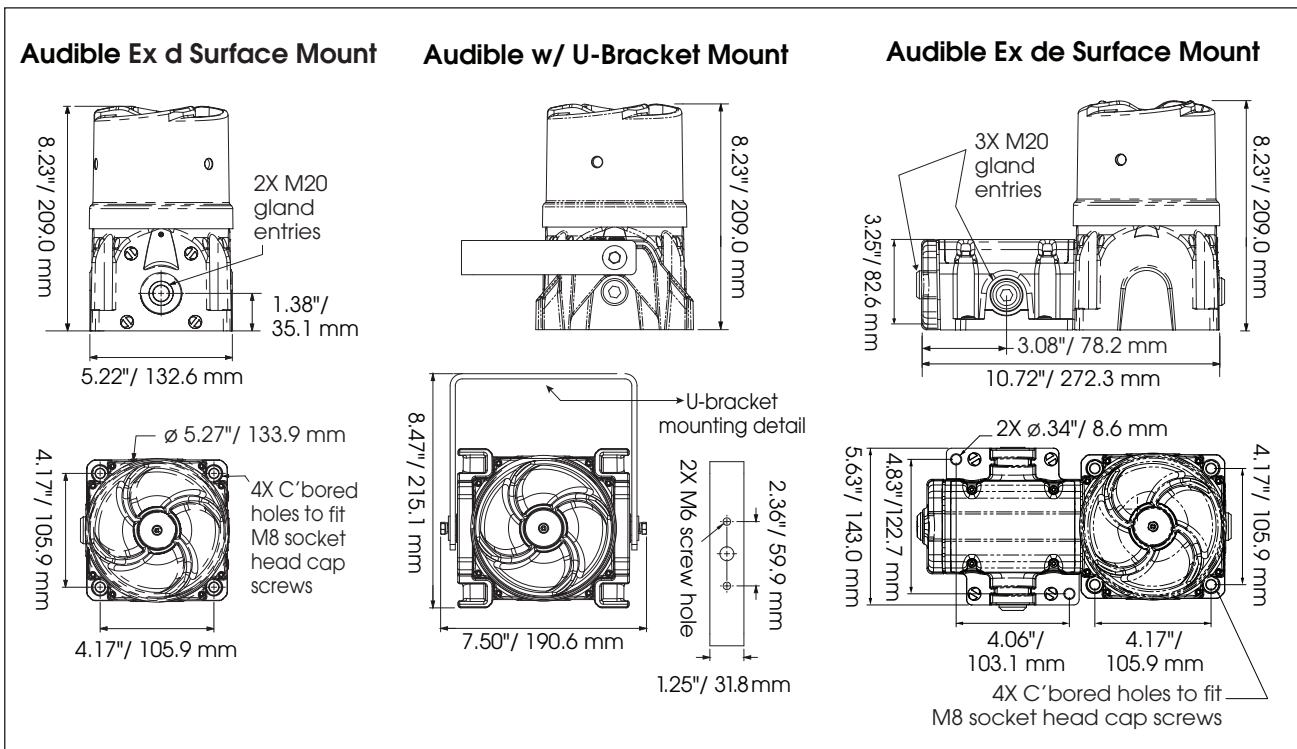
T4 (in IIC)

#### TEMPERATURE CODE AT 70°C

T4 (in IIB)

T4 (in IIC)

# Global Series® Hazardous Location Loudspeaker (G-SPK)



## SPECIFICATIONS

Operating Temperature: -67°F to 158°F -55°C to 70°C

ATEX/IECEx Certification Marking:

- Ex db IIB T5 Gb or Ex db e IIB T5 Gb
- Ex tb IIIC T100°C Db IP66
- Ex db IIC T4 Gb or Ex db e IIC T4 Gb
- Ex tb IIIC T135°C Db IP66
- ATEX: Baseefa15ATEX0155X
- IECEx: IECEx BAS 15.0104X

External Fasteners: 316 stainless steel

Terminals: EX d: 10-way block (5 in, 5 out)

Ex de: 3-pole, 4 position quad pole terminal blocks

Cable Entries: Ex d: 2 entries - M20 x 1.5  
Ex de: 3 entries - M20 x 1.5

UL and cUL Certification Marking:

- Class I, Division 2, Groups A, B, C, D T3C @ 70°C
- Class II, Division 2, Groups F, G T6 @ 70°C
- Class III T6 @ 70°C
- UL and cUL E12629

Net Product Weight:

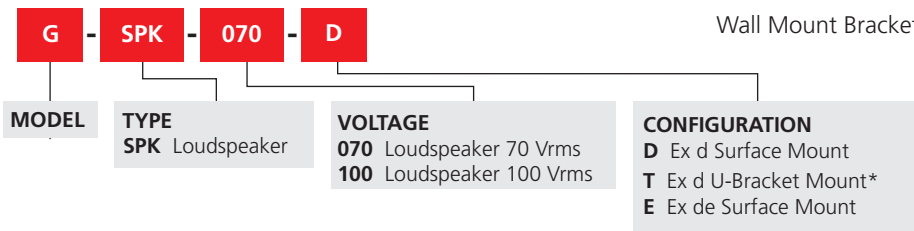
Ex d Surface Mount	9.20 lbs	4.17 kg
Ex d U-Bracket Mount	11.18 lbs	5.07 kg
Ex de Surface Mount	12.02 lbs	5.45 kg

## REPLACEMENT PARTS

Description	Part Number
70 Vrms, Loudspeaker Kit (Includes PCBAs, Bracket, Driver, & Mounting Screws)	K859501405-070
100 Vrms Loudspeaker Kit (Includes PCBAs, Bracket, Driver, & Mounting Screws)	K859501405-100
<b>Accessories</b>	
E-Box Endcap with M20 Opening	K859500805-02
E-Box Endcap with M25 Opening	K859500805-01
E-Box Cover Assembly (Includes two terminal blocks, mounting plate, retention hardware)	K859501414
Adapter, M20 Male to 1/2" Female NPT	K231246A
Adapter, M20 Male to 3/4" Female NPT	K231247
Wall Mount Bracket	G-KIT-WBKT

\* Field Installation Required

## HOW TO ORDER



#85000770 Rev. A0