



► Models WV450XD and WV450XE

# Flameproof GRP Strobe Lights



Model WV450X flameproof single flash strobe signal provides three high intensity light outputs utilizing a 10,000 hour rated strobe tube. The housing is manufactured from GRP (glass-reinforced polyester) to reduce weight, improve corrosion resistance and eliminate regular inspection of the flame path.

Devices include 316 stainless steel hardware, mounting bracket and dome guard. The WV450X comes standard with metric cable entries in both the “d” explosion proof version and the “de” increase safety terminal chamber with 3x M20 entries. The increased safety design allows for quick field termination and pass-through wiring.

The WV450X is ideal for the demands of offshore marine and land based heavy industrial when ATEX & IECEx certifications are required.

## FEATURES

- Available in 10, 15 and 21 joule units
- Seven lens colors: Amber, Blue, Clear, Green, Magenta, Red and Yellow
- 316 stainless steel mounting bracket included
- Available voltages (±15%):  
24-48VDC – 15J units  
110VAC – 10J/21J units  
220VAC – 10J/21J units
- Corrosion resistant GRP (Glass Reinforced Polyester)
- Included dome guard
- M20 entries standard
- Strobe tube life of 10,000 hours
- IP66 enclosure
- Zone rated, IECEx, ATEX  
Ex d IIB +H2 T3-T4  
Ex de IIB +H2 T3-T4
- ATEX, IECEx, CE, GOST and INMETRO Certified
- CE and UKCA compliant

| MODEL                  | OPERATING VOLTAGE | JOULE  | MAXIMUM OPERATING CURRENT | TEMPERATURE CODE AT 55°C | FLASH RATE |
|------------------------|-------------------|--------|---------------------------|--------------------------|------------|
| <b>WV450XD/WV450XE</b> | 24/48VDC          | 15J    | 940/480mA                 | T4                       | 60         |
|                        | 110VAC            | 10/21J | 270/750mA                 | T3                       | 60         |
|                        | 220VAC            | 10/21J | 230/500mA                 | T3                       | 60         |

# Flameproof GRP Strobe Lights (WV450XD and WV450XE)

## SPECIFICATIONS

### Light Output

|          | Effective Candela Peak | Average Effective Candela on HV | Peak Intensity Candela | Actual Output joules |
|----------|------------------------|---------------------------------|------------------------|----------------------|
| 10 joule | 174                    | 110                             | 195,000                | 10.75                |
| 15 joule | 312                    | 195                             | 298,000                | 16.3                 |
| 21 joule | 393                    | 297                             | 357,700                | 21.5                 |

### Glass Color Transmission

| Amber | Blue | Green | Red  | Yellow |
|-------|------|-------|------|--------|
| <.48  | <.12 | <.52  | <.81 | <.85   |

Terminals: Ex d: (DC) 4 way block (2 in, 2 out)  
(AC) 6 way block (3 in, 3 out)  
Ex de: 3 position dual pole terminal block

Cable Entries: Ex d: 2 entries - M20 x 1.5  
Ex de: 3 entries - M20 x 1.5

Operating Temperatures:  
"d" version without terminal chamber  
ATEX -55°C to 55°C (-67°F to 131°F)  
IECEX -55°C to 55°C (-67°F to 131°F)  
"de" version with terminal chamber  
ATEX -20°C to 55°C (-4°F to 131°F)  
IECEX -20°C to 55°C (-4°F to 131°F)

Mounting: Via 316 stainless steel bracket

Exterior Lens: Toughened glass

Guard and External Fasteners: 316 stainless steel

WV450XD Weight:  
Net /Shipping 3.23 kg (7.1 lbs) /3.88 kg (8.6 lbs)

WV450XE Weight:  
Net /Shipping 3.9 kg (8.6 lbs) /4.54 kg (10 lbs)

Shipping Dimensions: 19 x 22 x 47 cm (7.5 x 9 x 18.5 in.)

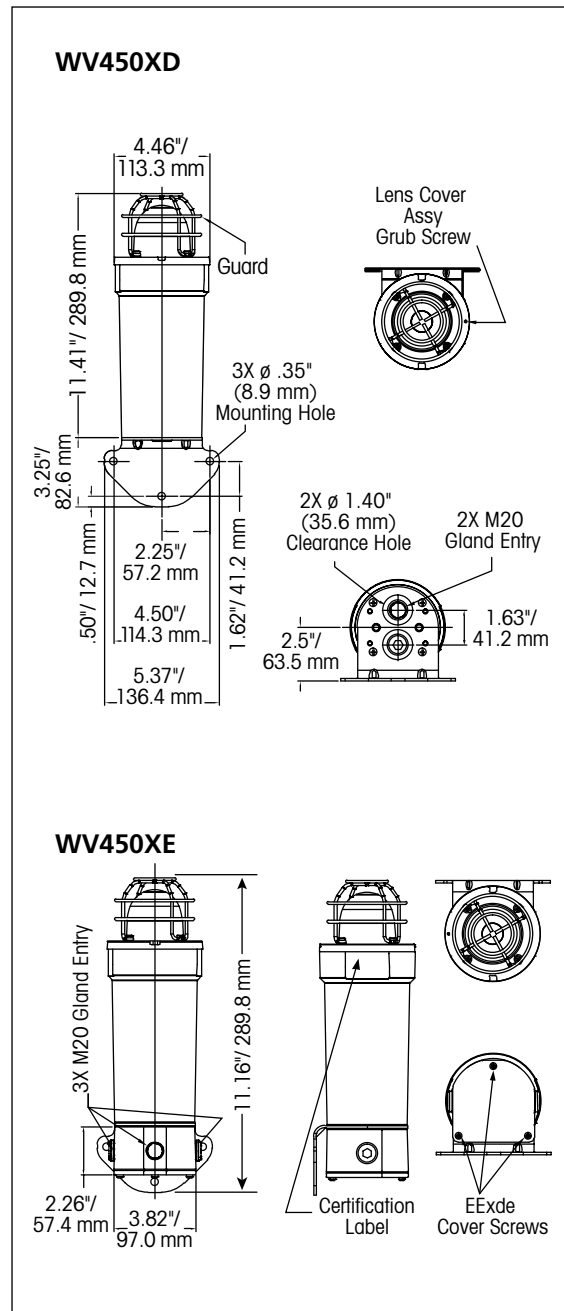
ATEX Certificate Number DEMKO 06 ATEX 0425693X

IECEX Certificate Number IECEX UL 06.0010X

Certification Marking ("d" only version) Ex d IIB + H2 T3-T4 @  
-55°C < Tamb < 55°C

Certification Marking ("de" version) Ex de IIB + H2 T3-T4 @  
-20°C < Tamb < 55°C

Ingress Protection (IP) Rating IP66



## HOW TO ORDER

**WV450X D 10 - 110 A**

**TYPE**  
WV450X

**PROTECTION**  
D Flameproof "d"  
E Increased Safety  
"de" terminal box

**RATING**  
10 10 joule  
15 15 joule  
21 21 joule

**VOLTAGES ±15%**  
024VDC - 15J  
110VAC - 10J and 21J  
220VAC - 10J and 21J

**COLOR**  
A Amber  
B Blue  
C Clear  
G Green  
M Magenta  
R Red  
Y Yellow