



► Model FB24ST
Fireball® Supervised Strobe Light



Federal Signal's Fireball® Supervised Light is an economical solution to a wide variety of stationary requirements.

Model FB24ST features a voltage in-rush limiting PCB design that provides greater compatibility with control systems and less electrical interference with in-rush sensitive devices. Model FB24ST contains a supervisory diode and four wire leads, for use in fire alarm applications

Fireball Supervised Strobe is a very low-maintenance warning light for industrial applications where a vibration-resistant light is required to signal an emergency or process status.

F E A T U R E S

- Available in 24VDC
- Four wires and supervisory diode
- Five dome colors: Amber, Blue, Clear, Green and Red
- 10,000 hour strobe tube
- Integrated 1/2-inch NPT pipe and surface mount
- Black epoxy coating for superior corrosion resistance
- 1,000,000 peak candela (300 effective)
- Conformal coated PCBA
- Type 4X, IP66 enclosure
- IP67, IP69K compliant
- CSFM Approved
- UL and cUL Listed

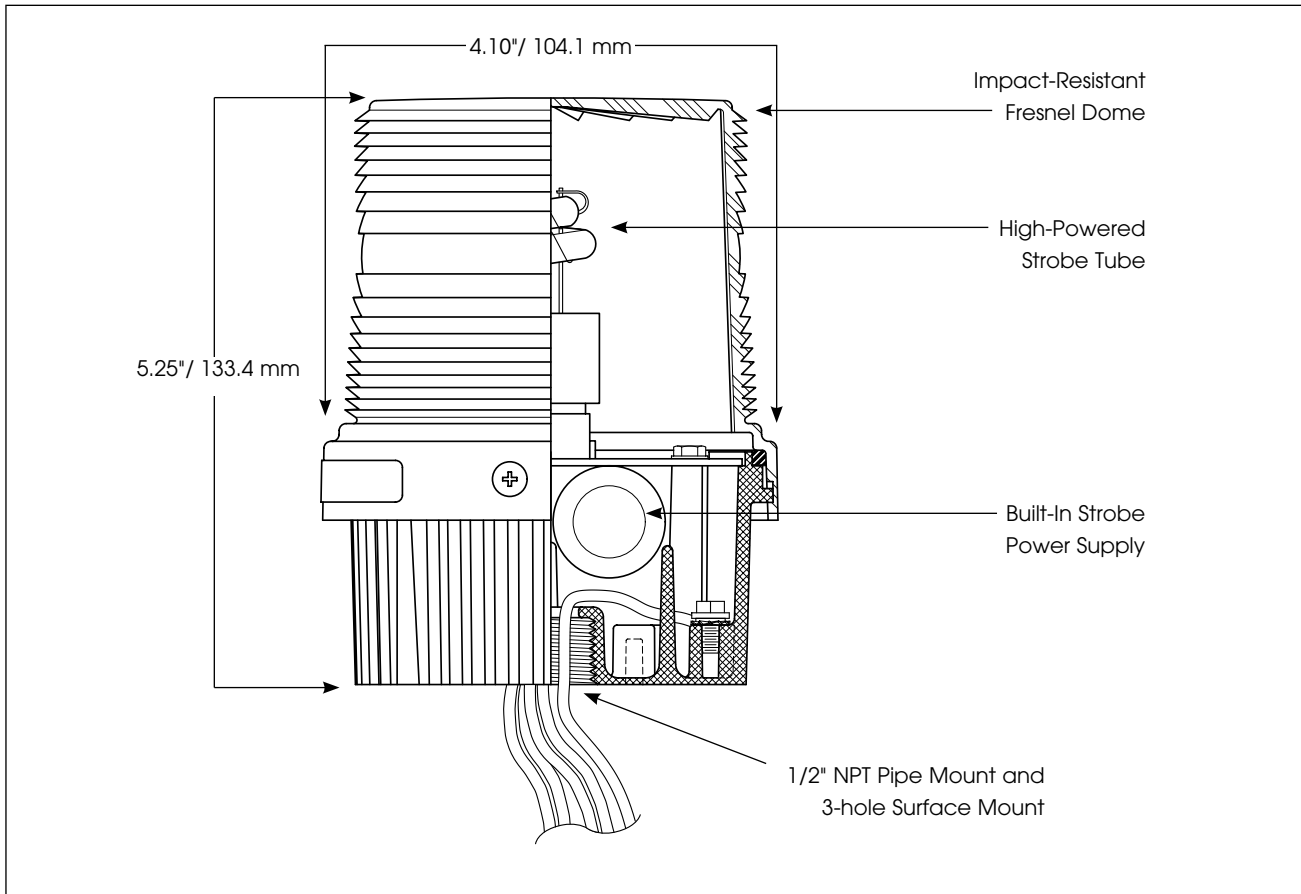
| MODEL | VOLTAGE | OPERATING CURRENT | FLASH RATE/ MINUTE | CANDELA PEAK ¹ | ECP ² | MOUNT |
|---------------------|---------|--------------------------------|--------------------|---------------------------|------------------|-----------------------|
| FB24ST-024 * | 24VDC | 0.7 amps (2.0 amp, in-rush) | 80 | 1,000,000 | 300 | 1/2" NPT Pipe/Surface |

* Indicates color: (A) Amber, (B) Blue, (C) Clear, (G) Green or (R) Red

¹ Peak candela is the maximum light intensity generated by a flashing light during its light pulse

² ECP (Effective Candela) is the intensity that would appear to an observer if the light were burning steadily

Fireball® Supervised Strobe Light (FB24ST)



SPECIFICATIONS

| | | |
|------------------------|----------------|---------------|
| Lamp Life: | 10,000 Hours | |
| Lamp Source: | Strobe | |
| Operating Temperature: | -31°F to 150°F | -35°C to 66°C |
| Net Weight: | 1.45 lbs | 0.7 kg |
| Shipping Weight: | 1.7 lbs | 0.8 kg |
| Height: | 5.25" | 133.4 mm |
| Diameter: | 4.10" | 104.1 mm |

HOW TO ORDER

| | | | |
|-----------------------|---|-------------------------------|------------------------------------------------------------------|
| FB24ST | - | 024 | A |
| TYPE FB24ST | | VOLTAGE 024 (24VDC) | COLOR A Amber B Blue C Clear G Green R Red |

REPLACEMENT PARTS

| Description | Part Number |
|-------------------------------|--------------|
| Dome, Amber | K8550320A |
| Dome, Blue | K8550320A-01 |
| Dome, Clear | K8550320A-02 |
| Dome, Green | K8550320A-03 |
| Dome, Red | K8550320A-04 |
| Strobe Tube, Series A4, A5, B | K8107177A |

OPTIONAL ACCESSORIES

| Description | Part Number |
|--------------------------------|-------------|
| Wire Guard | FB2G |
| Wall Mount Bracket, 4X Rated | LSWB |
| Corner Mount Bracket, 3R Rated | LCMB2* |

* LCMB2 is 3R Rated. In combination with a 4X unit, the product defaults to 3R.



FB2G