



(Shown with ceiling mount)

► Model 24XST

Explosion-Proof Supervised Strobe Light



Federal Signal's Model 24XST Explosion-Proof Strobe Light produces 65-75 high-intensity flashes per minute. The 24XST features a current in-rush limiting PCB design to provide improved compatibility with in-rush sensitive devices. This design limits the peak in-rush to 2A and operates on only 0.71A, when powered by 24VDC. To synchronize strobe lights, purchase the Synchronization Module (SSM) separately.

Model 24XST can be paired with a pendant, ceiling or wall mount. The installation process is simple; by pre-installing the mounting box, the fixture can be simply threaded onto the mounting box, making an electrical connection when the threads are engaged.

Model 24XST offers a heavy duty, copper-free cast aluminum housing is sealed with a black powder coat paint. This unit is specifically designed for explosion-proof atmospheres and/or corrosive environments. The 24XST is ideal for use in areas such as oil rigs, mines, refineries, and chemical plants.

FEATURES

- Approved for mounting in any manner– including dome up
- Available in 24VDC
- Six lens colors: Amber, Blue, Clear, Green, Magenta and Red
- 10,000 hour strobe tube
- 3/4" NPT pendant, ceiling and wall mount options available
- Dome guard optional
- Conformal coated PCB
- Type 4X, IP66 enclosure
- IP69K compliant
- Marine Rated
- CSFM Approved
- UL and cUL Class I, Division 1, Groups C and D; Class I, Division 2, Groups A, B, C and D; Class II, Division 1, Groups E, F and G; Class III

MODEL	VOLTAGE	PEAK IN-RUSH	OPERATING CURRENT @ 24VDC	FLASH RATE/ MINUTE	CANDELA ECP ²
24XST-024*_MOD¹	24VDC	2 A	0.71 A	65-75	280

* Indicates color: (A) Amber, (B) Blue, (C) Clear, (G) Green, (M) Magenta or (R) Red

¹ See "how to order" for mounting options

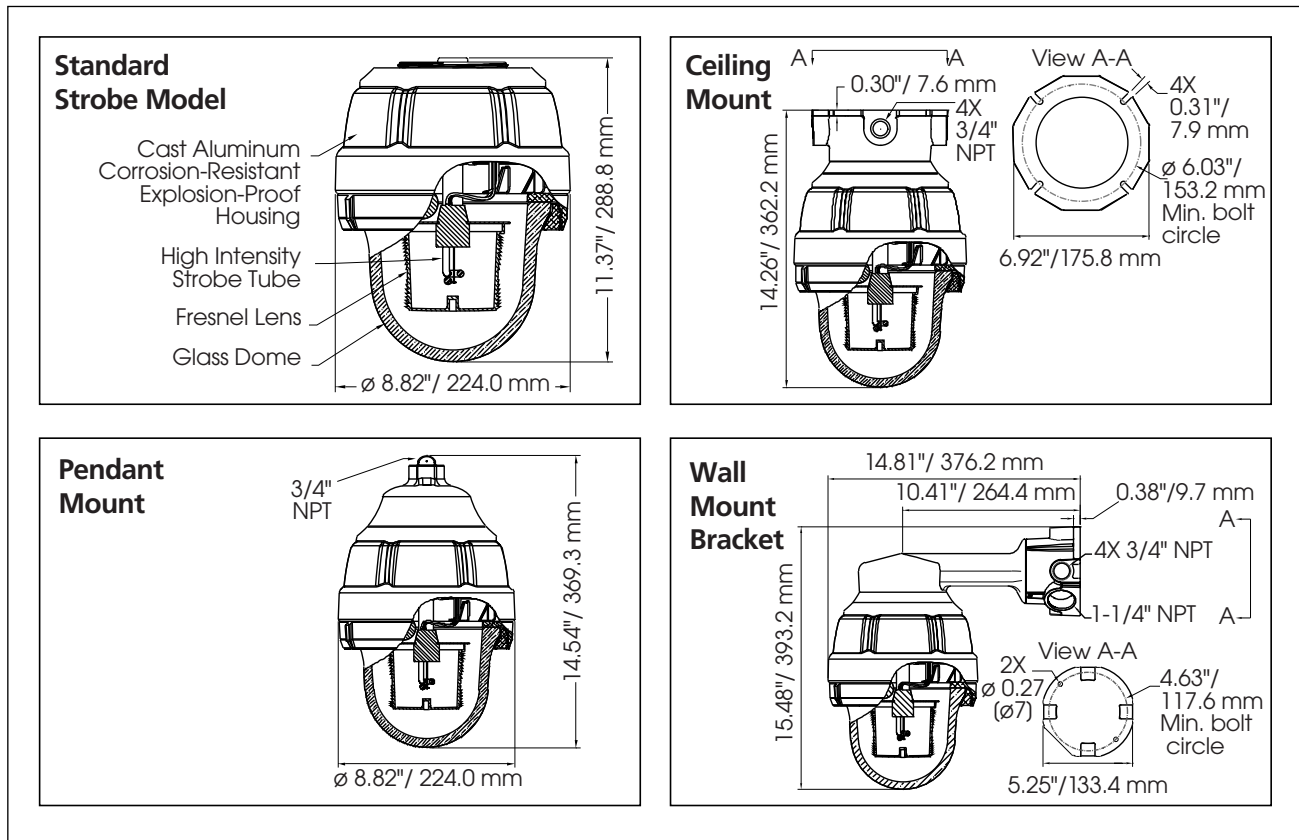
² ECP (Effective Candela) is the intensity that would appear to an observer if the light were burning steadily

HAZARDOUS LOCATION RATING: 24XST

T-CODE AT MAXIMUM AMBIENT TEMPERATURE, °C

Hazardous Location	40°C	65°C
Class I, Division 1, Groups C, D	T6	T4A
Class I, Division 2, Groups A, B, C, D	T2	T2
Class II, Division 1, Groups E, F, G	T6	T4A
Class III	T6	T4A

Explosion-Proof Supervised Strobe Light (24XST)



SPECIFICATIONS

Lamp Life:		10,000 Hours
Light Source:		Strobe tube
Operating Temperature Range:	-67°F to 150°F	-55°C to 65°C
Net Product Weight		
Signal without Mounting:	13.9 lbs	6.3 kg
Ceiling Mount:	4.5 lbs	2.0 kg
Pendant Mount:	2.0 lbs	0.9 kg
Wall Mount:	5.9 lbs	2.7 kg

HOW TO ORDER

24XST - 024 A - MOD

TYPE
24XST

VOLTAGE
024 (24VDC)

COLOR
A Amber
B Blue
C Clear
G Green
M Magenta
R Red

Specify Optional Mounting:*

Description	Part Number
Ceiling Mount	CMXC-SB
Pendant Mount	PMXC-SB
Wall Mount	WMXC-4-SB

* Mounting kit must be ordered with unit, sold separately

REPLACEMENT PARTS

Description	Part Number
Exterior Dome Assembly, Clear	K8436147A
Interior Lens Assembly, Amber	K8550C095A-02
Interior Lens Assembly, Blue	K8550C095A-01
Interior Lens Assembly, Clear	K8550C095A
Interior Lens Assembly, Green	K8550C095A-04
Interior Lens Assembly, Magenta	K8550C095A-07
Interior Lens Assembly, Red	K8550C095A-03
24VDC Mechanism	K8436107F-05
Strobe Tube	K8107159A

OPTIONAL ACCESSORIES

Description	Part Number
Dome Guard	DGXC-SB
Strobe Synchronization Module	SSM