



(Shown with pendant mount)

► Model 24XSTHI-MOD and 24XSTHI-CN

Explosion-Proof Supervised Hearing Impaired Strobe Lights

Model 24XSTHI Explosion-Proof Hearing Impaired Strobe Light produces 60 high-intensity flashes per minute. Model 24XSTHI is Type 4X and IP66 rated. Model 24XSTHI features a current in-rush limiting PCB design to provide improved compatibility with in-rush sensitive devices. This design limits the peak in-rush to 2A and operates on only 0.63A, when powered by 24VDC. To synchronize strobe lights purchase the Synchronization Module (SSM) separately.

The models can be paired with a pendant, ceiling or wall mount sold separately. The installation process is simple; by pre-installing the mounting box, the fixture can be simply threaded onto the mounting box, making an electrical connection when the threads are engaged.

Model 24XSTHI offers a heavy duty, copper-free cast aluminum housing sealed with a red powder coat paint. This unit is specifically designed for explosion-proof atmospheres and/or corrosive environments. The 24XSTHI is ideal for use in areas such as oil rigs, mines, refineries, and chemical plants.

FEATURES

- Available in 24VDC regulated
- 60 flashes per minute
- 3/4" NPT pendant, ceiling and wall mount options available
- Dome guard optional
- Type 4X, IP66 enclosure
- IP69K compliant
- Marine Rated
- UL and cUL Listed for Class I, Division 1, Groups C and D; Class I, Division 2, Groups A, B, C and D; Class II, Groups E, F and G; Class III
- 24XSTHI-MOD is UL Fire Listed
- 24XSTHI-CN is ULC Fire Listed

MODEL	VOLTAGE	PEAK IN-RUSH	OPERATING CURRENT @ 16VDC	CURRENT @ 24VDC	FLASH RATE / MINUTE	CANDELA ECP ¹	UL 1971
24XSTHI-MOD 24XSTHI-CN	24VDC Regulated (16-33V)	2 A	1.02 A	0.63 A	60	150	30

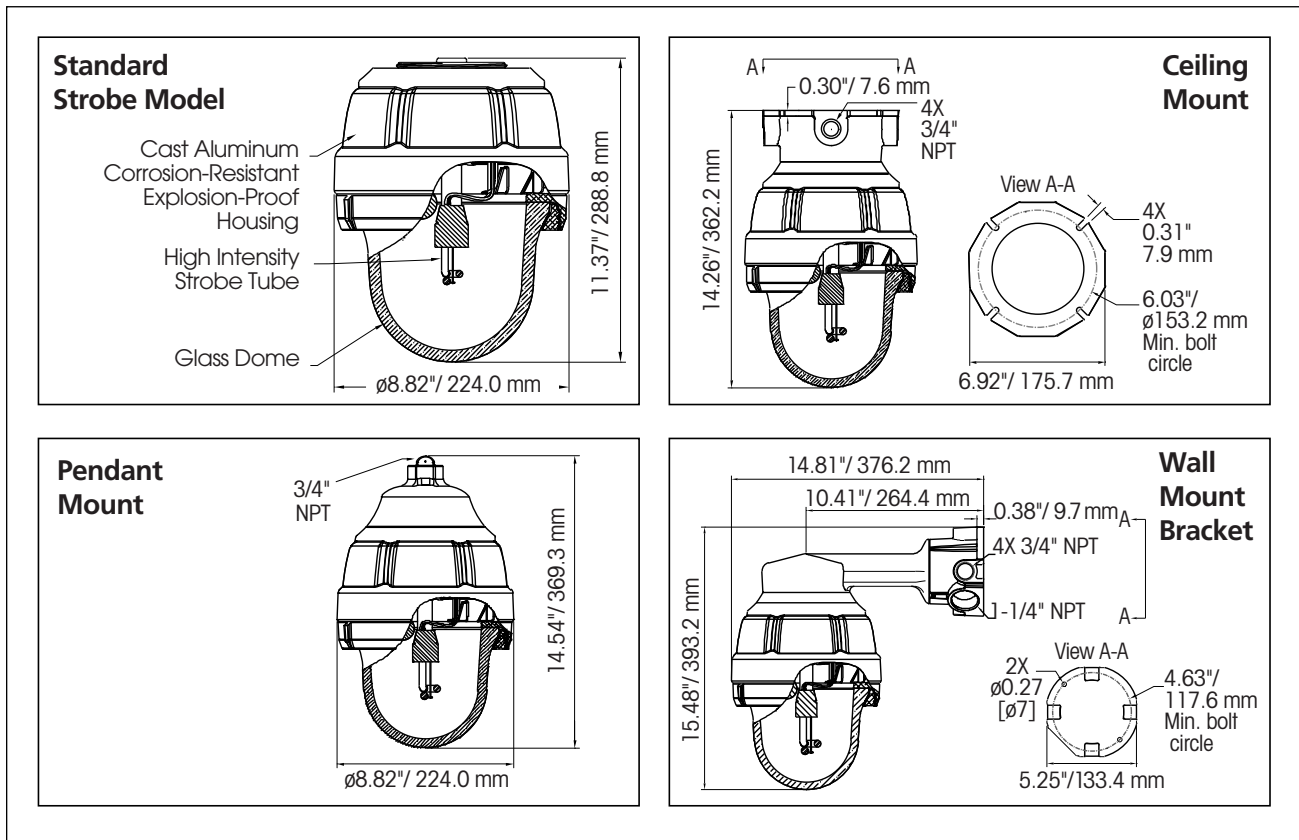
¹ECP (Effective Candela) is the intensity that would appear to an observer if the light were burning steadily

HAZARDOUS LOCATION RATING: 24XSTHI-MOD and 24XSTHI-CN

T-CODE AT MAXIMUM AMBIENT TEMPERATURE, °C

Hazardous Location	40°C	65°C
Class I, Division 1, Groups C, D	T6	T6
Class I, Division 2, Groups A, B, C, D	T4	T3C
Class II, Division 1, Groups E, F, G	T6	T4A
Class III	T6	T4A

Explosion-Proof Supervised Hearing Impaired Strobe Lights (24XSTHI-MOD and 24XSTHI-CN)



SPECIFICATIONS

Lamp Life:	10,000 Hours	
Light Source:	Strobe tube	
Operating Temperature Range:	-67°F to 150°F	-55°C to 66°C
Net Product Weight:		
Signal without Mounting:	13.9 lbs	6.3 kg
Ceiling Mount:	4.5 lbs	2.0 kg
Pendant Mount:	2.0 lbs	0.9 kg
Wall Mount:	5.9 lbs	2.7 kg

REPLACEMENT PARTS

Description	Part Number
24VDC Mechanism	K8436107F-05
Strobe Tube	K8107159A

OPTIONAL ACCESSORIES

Description	Part Number
Dome Guard	DGXC-SB
Synchronization Module	SSM

HOW TO ORDER

Specify Model:

24XSTHI-MOD: UL Fire Listed, Explosion-Proof Hearing Impaired Supervised Strobe Light

24XSTHI-CN: ULC Fire Listed, Explosion-Proof Hearing Impaired Supervised Strobe Light

Specify Mounting:*

Description	Part Number
Ceiling Mount	CMXC-R-SB
Pendant Mount	PMXC-R-SB
Wall Mount	WMXC-4R-SB

* Mounting kit must be ordered with unit, sold separately