



(Shown with pendant mount. See how to order for mounting options)



► Model 27XST

# Explosion-Proof Strobe Light



Federal Signal's Model 27XST explosion-proof strobe light features a voltage in-rush limiting PCB design that provides greater compatibility with factory automation control systems and less electrical interference with in-rush sensitive devices.

Three mounting options are available: pendant, ceiling or 90° wall mount. For easy installation, the mounting box is first installed and the fixture is then threaded onto the mounting box, making the electrical connection. Pre-install the mounting bracket and electrical continuity is made when five threads are engaged.

Federal Signal's Model 27XST is specifically designed for explosion-proof atmospheres and/or corrosive environments. Because it is easy to install and requires very low maintenance, it is ideal for use in areas such as oil rigs, mines, refineries, and chemical plants.

## FEATURES

- Approved for mounting in any manner-including dome up
- Available in 24VDC, 120VAC and 240VAC
- Six lamp/lens colors: Amber, Blue, Clear, Green, Magenta and Red
- 10,000 hour strobe tube
- 3/4" NPT pendant, ceiling and wall mount options available
- Dome guard optional
- Conformal coated PCB
- Type 4X, IP66 enclosure
- IP69K compliant
- Marine Rated
- CSFM Approved
- UL and cUL Listed for Class I, Division 1 and 2, Groups C and D; Class I, Division 2, Groups A and B; Class II, Division 1, Groups E, F, and G; Class III

| MODEL                               | VOLTAGE        | OPERATING CURRENT           | FLASH RATE / MINUTE | LIGHT OUTPUT      |                  |
|-------------------------------------|----------------|-----------------------------|---------------------|-------------------|------------------|
|                                     |                |                             |                     | PEAK <sup>1</sup> | ECP <sup>2</sup> |
| <b>27XST-024 * -MOD<sup>1</sup></b> | 24VDC          | 1.90 amps (3.0 amp In-rush) | 80                  | 2,000,000 cd      | 850 cd           |
| <b>27XST-120 * -MOD<sup>1</sup></b> | 120VAC 50/60Hz | 1.14 amps                   | 80                  | 2,000,000 cd      | 850 cd           |
| <b>27XST-240 * -MOD<sup>1</sup></b> | 240VAC 50/60Hz | 1.14 amps                   | 80                  | 2,000,000 cd      | 850 cd           |

\* Indicates color: (A) Amber, (B) Blue, (C) Clear, (G) Green or (R) Red (Magenta available in 120VAC and 240VAC models only)

<sup>1</sup> See "how to order" for mounting options

<sup>2</sup> Peak candela is the maximum light intensity generated by a flashing light during its light pulse

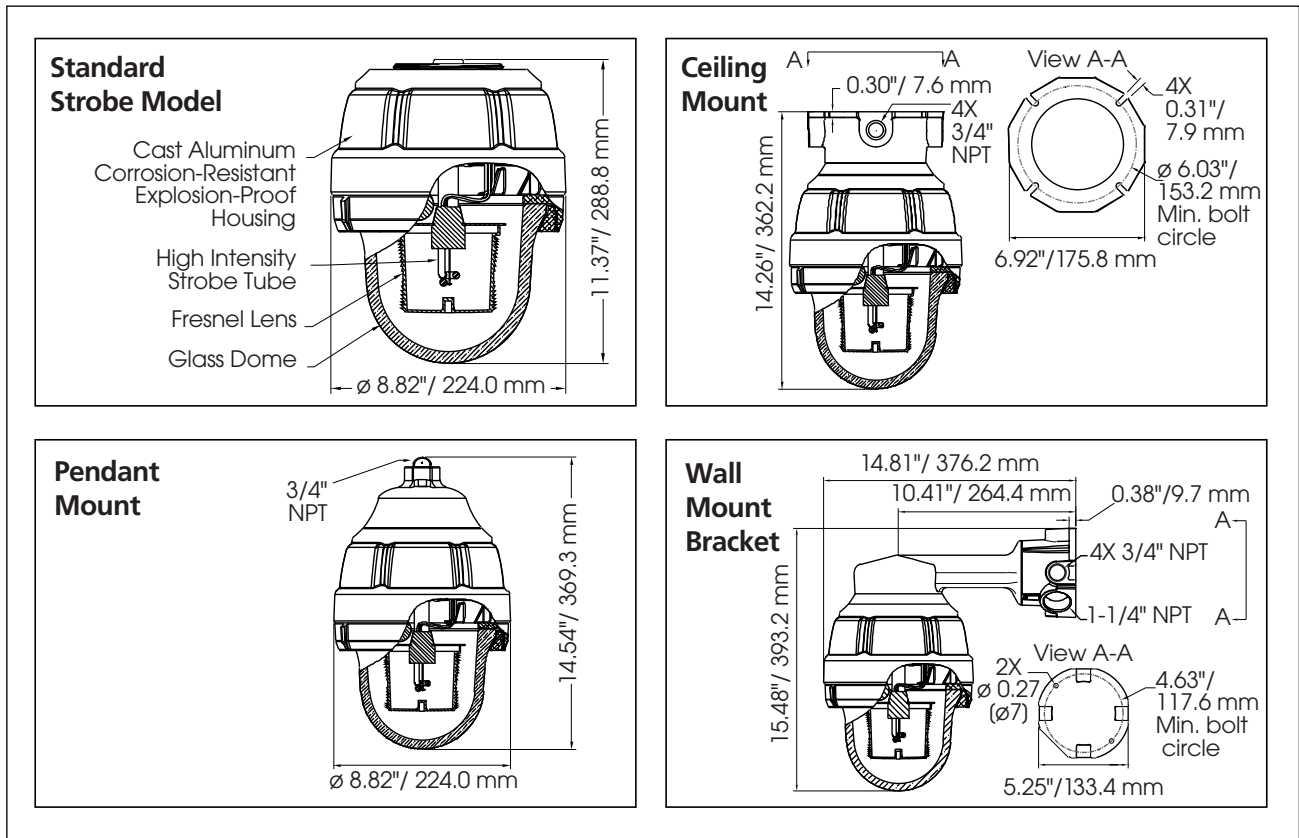
<sup>3</sup> ECP (Effective Candela) is the intensity that would appear to an observer if the light were burning steadily

### HAZARDOUS LOCATION RATING: 27XST

T-CODE AT MAXIMUM AMBIENT TEMPERATURE, °C

| Hazardous Location                   | 40°C | 65°C |
|--------------------------------------|------|------|
| Class I, Division 1 & 2, Groups C, D | T6   | T4A  |
| Class I, Division 2, Groups A, B     | T2   | T2   |
| Class II, Division 1, Groups E, F, G | T6   | T4A  |
| Class III                            | T6   | T4A  |

# Explosion-Proof Strobe Light (27XST)



## SPECIFICATIONS

|                          |                |               |
|--------------------------|----------------|---------------|
| Lamp Life:               | 10,000 Hours   |               |
| Light Source:            | Strobe Tube    |               |
| Operating Temperature:   | -67°F to 150°F | -55°C to 65°C |
| Net Product Weight       |                |               |
| Signal without Mounting: | 13.9 lbs       | 6.3 kg        |
| Ceiling Mount:           | 4.5 lbs        | 2.0 kg        |
| Pendant Mount:           | 2.0 lbs        | 0.9 kg        |
| Wall Mount:              | 5.9 lbs        | 2.7 kg        |
| Shipping Weight          |                |               |
| Signal without Mounting: | 14.7 lbs       | 6.67 kg       |
| Ceiling Mount:           | 5.3 lbs        | 2.40 kg       |
| Pendant Mount:           | 2.8 lbs        | 1.27 kg       |
| Wall Mount:              | 6.7 lbs        | 3.03 kg       |

## REPLACEMENT PARTS

| Description                     | Part Number   |
|---------------------------------|---------------|
| Exterior Dome Assembly, Clear   | K8436147A     |
| Interior Lens Assembly, Amber   | K8550C095A-02 |
| Interior Lens Assembly, Blue    | K8550C095A-01 |
| Interior Lens Assembly, Clear   | K8550C095A    |
| Interior Lens Assembly, Green   | K8550C095A-04 |
| Interior Lens Assembly, Magenta | K8550C095A-07 |
| Interior Lens Assembly, Red     | K8550C095A-03 |
| 24VDC Mechanism                 | K8436107F-03  |
| 120VAC Mechanism                | K8436107E-02  |
| Strobe Tube                     | K8107159A     |

## OPTIONAL ACCESSORIES

| Description | Part Number |
|-------------|-------------|
| Dome Guard  | DGXC-SB     |

## HOW TO ORDER

|                      |   |   |   |   |            |
|----------------------|---|---|---|---|------------|
| <b>27XST</b>         | - | <b>024</b>  | <b>A</b>  | - | <b>MOD</b> |
| <b>TYPE</b><br>27XST |   | <b>VOLTAGE</b><br>024 (24VDC)<br>120 (120VAC)<br>240 (240VAC) | <b>COLOR</b><br>A Amber<br>B Blue<br>C Clear<br>G Green<br>M Magenta<br>R Red |   |            |

### Specify Optional Mounting:\*

| Description   | Part Number |
|---------------|-------------|
| Ceiling Mount | CMXC-SB     |
| Pendant Mount | PMXC-SB     |
| Wall Mount    | WMXC-SB     |

\* Mounting kit must be ordered with unit, sold separately