



(Shown with pendant mount)



► Model 27XST-024*-4-MOD

Explosion-Proof Strobe Light

Model 27XST-024*-4-MOD explosion-proof supervised strobe light produces 80 high-intensity flashes per minute. This warning light operates on 24VDC and is unique to the market because it covers an entire range of possible mounting configurations – including dome up.

This model features a voltage in-rush limiting PCB design that provides greater compatibility with factory automation control systems and less electrical interference with in-rush sensitive devices. Corrosion resistance is achieved with a powder coat finish applied over the copper-free aluminum housing. It also has an effective candela (ECP) of 850 and a two million peak candela.

For easy installation, the mounting box is first installed and the fixture is then threaded onto the mounting box, making the electrical connection. Electrical continuity is made when five threads are engaged.

Model 27XST-024*-4-MOD is specifically designed for explosion-proof atmospheres and/or corrosive environments. Because it is easy to install and requires very low maintenance, it is ideal for use in areas such as oil rigs, mines, refineries, and chemical plants.

FEATURES

- Approved for mounting in any manner - including dome up
- Available in 24VDC
- Six lens colors: Amber, Blue, Clear, Green, Magenta and Red
- 10,000 hour strobe tube
- 3/4" NPT pendant, ceiling and wall mount options available
- Dome guard optional
- Conformal coated PCB
- Type 4X, IP66 enclosure
- IP69K compliant
- Marine Rated
- CSFM Approved
- UL and cUL Listed for Class I, Division 1, Groups C and D; Class I, Division 2, Groups A, B, C, and D; Class II, Division 1, Groups E, F, and G; Class III

MODEL	VOLTAGE	OPERATING CURRENT	FLASH RATE / MINUTE	CANDELA PEAK ²	ECP ³
27XST-024*-4-MOD¹	24VDC	1.90 amps (3.0 amp In-rush)	80	2,000,000	850

* Indicates color: (A) Amber, (B) Blue, (C) Clear, (G) Green or (R) Red (Magenta available in 120VAC model only)

¹ See "how to order" for mounting options.

² Peak candela is the maximum light intensity generated by a flashing light during its light pulse

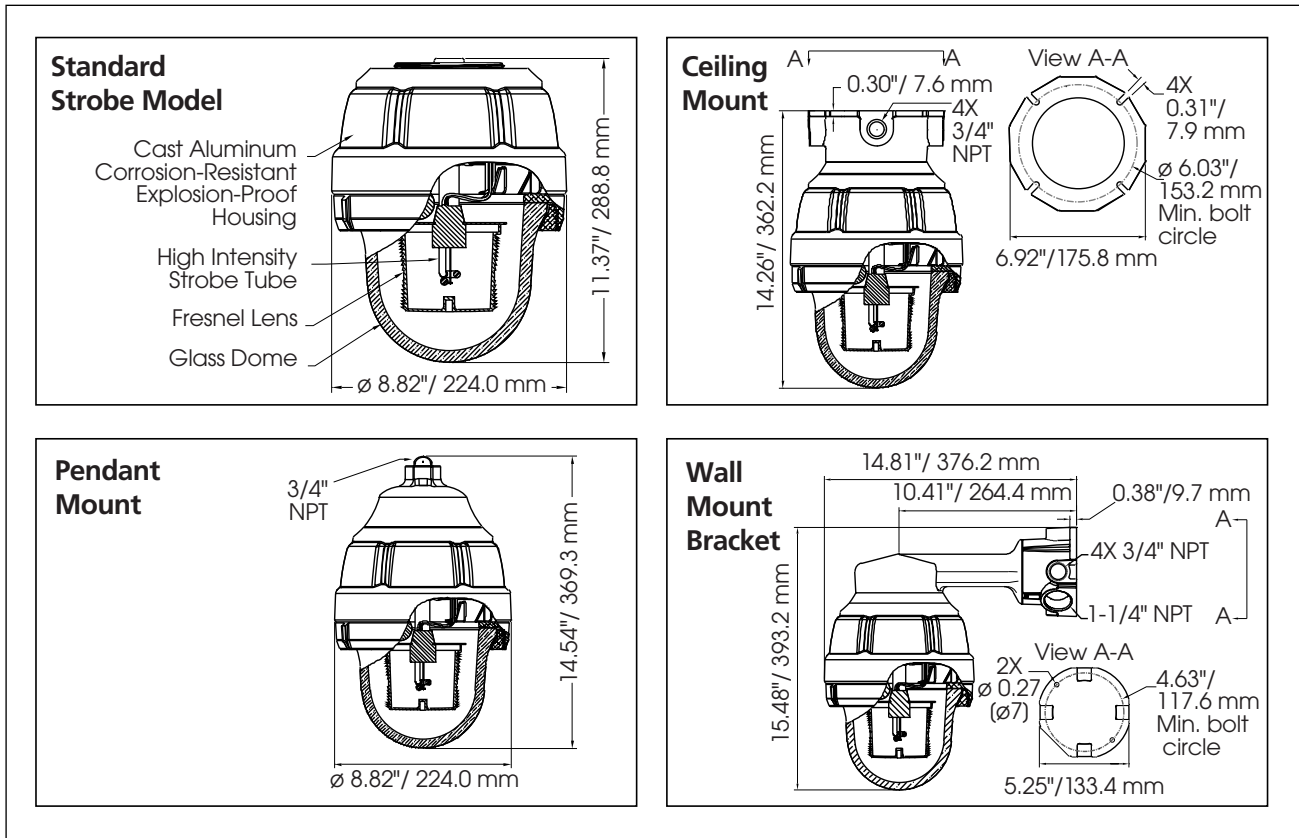
³ ECP (Effective Candela) is the intensity that would appear to an observer if the light were burning steadily

HAZARDOUS LOCATION RATING: 27XST-024*-4-MOD

T-CODE AT MAXIMUM AMBIENT TEMPERATURE, °C

Hazardous Location	40°C	65°C
Class I, Division 1, Groups C, D	T6	T4A
Class I, Division 2, Groups A, B, C, D	T2	T2
Class II, Division 1, Groups E, F, G	T6	T4A
Class III	T6	T4A

Explosion-Proof Strobe Light (27XST-024*-4-MOD)



SPECIFICATIONS

Lamp Life:	10,000 Hours	
Light Source:	Strobe Tube	
Operating Temperature:	-67°F to 150°F	-55°C to 65°C
Net Product Weight		
Signal without Mounting:	13.9 lbs	6.3 kg
Ceiling Mount:	4.5 lbs	2.0 kg
Pendant Mount:	2.0 lbs	0.9 kg
Wall Mount:	5.9 lbs	2.7 kg

HOW TO ORDER

27XST - 024 A - 4 - MOD

TYPE
27XST

VOLTAGE
024 (24VDC)

COLOR
A Amber
B Blue
C Clear
G Green
M Magenta
R Red

Specify Optional Mounting:*

Description	Part Number
Ceiling Mount	CMXC-SB
Pendant Mount	PMXC-SB
Wall Mount	WMXC-4-SB

* Mounting kit must be ordered with unit, sold separately

REPLACEMENT PARTS

Description	Part Number
Exterior Dome Assembly, Clear	K8436147A
Interior Lens Assembly, Amber	K8550C095A-02
Interior Lens Assembly, Blue	K8550C095A-01
Interior Lens Assembly, Clear	K8550C095A
Interior Lens Assembly, Green	K8550C095A-04
Interior Lens Assembly, Magenta	K8550C095A-07
Interior Lens Assembly, Red	K8550C095A-03
24VDC Mechanism	K8436107F-03
Strobe Tube	K8107159A

OPTIONAL ACCESSORIES

Description	Part Number
Dome Guard	DGXC-SB