

► Models ASHX and ASUX

Explosion-Proof Amplified Speakers



Federal Signal's Models ASHX and ASUX Explosion-Proof Amplified Speakers are designed to produce crisp, clear tones in supervised alarm notification systems. Both models are compatible with fire alarm, voice evacuation, suppression supervised control panels, and power boosters.

These amplified speakers can broadcast tones generated by a Tone Card installed into the speaker (the plug-in 32-tone UTM) or by a central tone source in a voice evacuation or paging system. When live public address or voice messages are required, plug-in Connector Cards (AM25CK or AM70CK) interface with the Vrms of the EVAC panel.

The speaker cone and projector are constructed of rugged spun aluminum. The solid-state amplifier circuit is protected in a die-cast aluminum housing. Dust- and moisture-proof gaskets provide protection from the elements. All external surfaces are sealed with red powder coat paint.

FEATURES

- 15 watt (ASHX) or 30 watt (ASUX)
- 24VDC
- Built-in gain control
- Four wire supervisable power circuit
- Swivel mount bracket
- Type 4X, IP66 enclosure
- CSFM Approved
- UL and cUL listed for Class I, Division 1, Groups B, C and D; Class I, Division 2, Group A, B, C, and D; Class II, Division 2, Groups F and G; Class III
- ASHX and ASUX UL Fire Listed

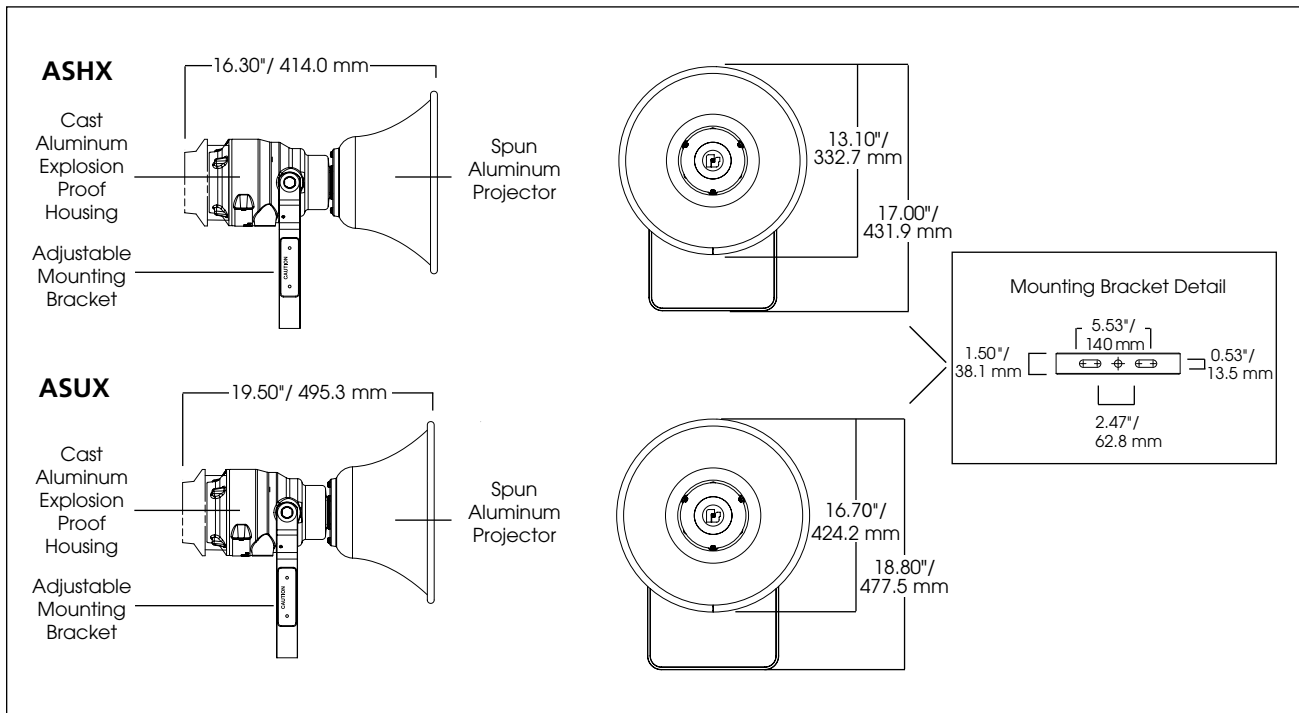
MODEL	WATTS	VOLTAGE	OPERATING CURRENT	STANDBY CURRENT	SPL PER UL 1480		DECIBELS	
					10'	1M	10'	1M
ASHX-024	15 W	24VDC	0.7 amps	0.13 amps	91 dBa	101 dBa	110 dBa	120 dBa
ASUX-024	30 W	24VDC	1.0 amps	0.13 amps	97 dBa	107 dBa	114 dBa	124 dBa

HAZARDOUS LOCATION RATING: ASHX and ASUX

T-CODE AT MAXIMUM AMBIENT TEMPERATURE, °C

Hazardous Location	ASHX		ASUX	
	40°C	66°C	40°C	66°C
Class I, Division 1, Groups B, C, D	T6	T6	T6	T6
Class I, Division 2, Groups A, B, C, D	T2B	T2A	T3	T2D
Class II, Division 2, Groups F, G	T5	T5	T6	T6
Class III	T5	T5	T6	T6

Explosion-Proof Amplified Speakers (ASHX and ASUX)



SPECIFICATIONS

ASHX

Operating Temperature:	-40°F to 150°F	-40°C to 66°C
Net Weight:	15.4 lbs	7.0 kg
Shipping Weight:	22.8 lbs	10.4 kg
Height:	17.00"	431.9 mm
Width:	13.10"	332.7 mm
Depth:	16.30"	414.0 mm

ASUX

Operating Temperature:	-40°F to 150°F	-40°C to 66°C
Net Weight:	16.4 lbs	7.4 kg
Shipping Weight:	32.4 lbs	14.7 kg
Height:	18.80"	477.5 mm
Width:	16.70"	424.2 mm
Depth:	19.50"	495.3 mm

REPLACEMENT PARTS

Description

Part Number

ASHX

Horn Assembly, Red	K8593100A-01
Mounting Bracket Assembly	K8593071A
4 Position connector	K140340B

ASUX

Mounting Bracket Assembly	K8593071A
4 Position connector	K140340B

OPTIONAL ACCESSORIES

Description

Part Number

Universal Tone Module	UTM
Specify Connector Kit for use in systems:	
70 Vrms Connector Kit	AM70CK
25 Vrms Connector Kit	AM25CK

HOW TO ORDER

Specify Model:

ASHX-024 – 15 watt

ASUX-024 – 30 watt