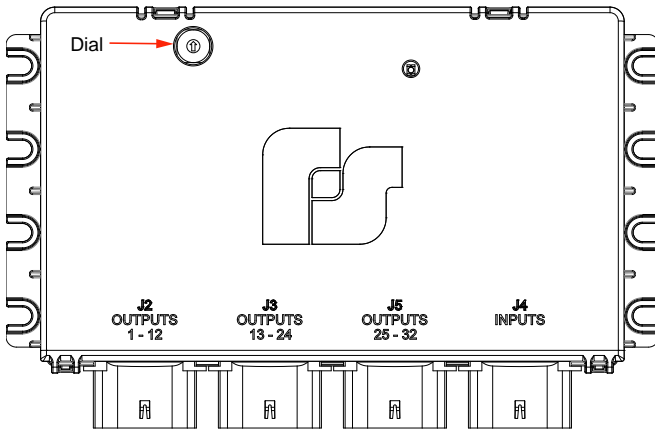


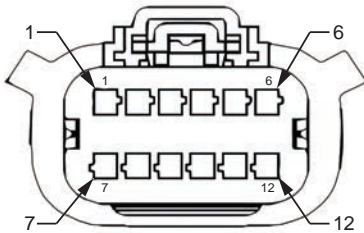
25500863 Rev A0 0623

**⚠ WARNING**

To properly install this Pathfinder Expansion Module, you must have a good understanding of automotive electrical procedures and systems, along with proficiency in the installation and use of safety warning equipment. Before installing this module, refer to the unabridged instructions (doc no. 25500613), which are included with the Expansion Module product packaging, or online at [www.fedsig.com](http://www.fedsig.com).



**Wiring Pinout Description**



**J2 Flashing Outputs 1-12**

Wire Color	Relay Output	Connector Pin	Connection
Blue	Output 1	J2-1	
Red	Output 2	J2-2	
Violet	Output 3	J2-3	
Brown	Output 4	J2-4	
Pink	Output 5	J2-5	
Tan	Output 6	J2-6	
Gray	Output 7	J2-7	
Black	Output 8	J2-8	
Green	Output 9	J2-9	
White	Output 10	J2-10	
Yellow	Output 11	J2-11	
Orange	Output 12	J2-12	

**Dial Positions**

Dial Position	Description
0	Module #1
1	Module #2
2	Module #3
3	Module #4
4-8	Not in use
9	Relay output test pattern

**J3 Flashing Outputs 13-24**

Wire Color	Relay Output	Connector Pin	Connection
Blue	Output 13	J3-1	
Red	Output 14	J3-2	
Violet	Output 15	J3-3	
Brown	Output 16	J3-4	
Pink	Output 17	J3-5	
Tan	Output 18, or BCM Inp1	J3-6	
Gray	Output 19	J3-7	
Black	Output 20	J3-8	
Green	Output 21	J3-9	
White	Output 22	J3-10	
Yellow	Output 23	J3-11	
Orange	Output 24, or BCM Inp2	J3-12	

**J4 Power and Network Connections**

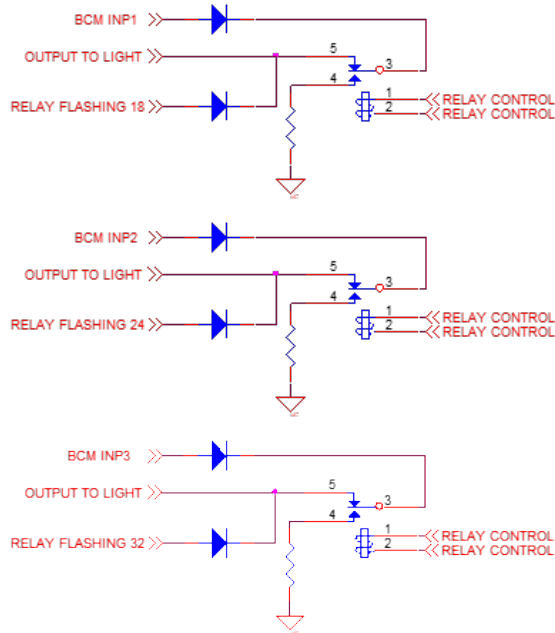
Wire Color	Relay Output	Connector Pin	Connection
Blue	INP 1	J4-1	
Red	+12V For Outputs 3,4,5,6	J4-2	
Red	+12V For Outputs 17,21,22,23	J4-3	
Red	+12V For Outputs 13,18,19,23	J4-4	
Red	+12V For Outputs 14,15,16,20	J4-5	
RJ45 (Pos3)	Convergence Data A	J4-6	
Gray	INP 2	J4-7	
Red	+12V For Outputs 9,10,11,12	J4-8	
Red	+12V For Outputs 1,2,7,8	J4-9	
RJ45 (Pos6)	Convergence Data B	J4-10	
RJ45 (Pos8)	Convergence Net Power	J4-11	
RJ45 (Pos1)	Convergence Net GND	J4-12	

# Pathfinder Expansion Module QuickStart Guide

## J5 Power and Network Connections

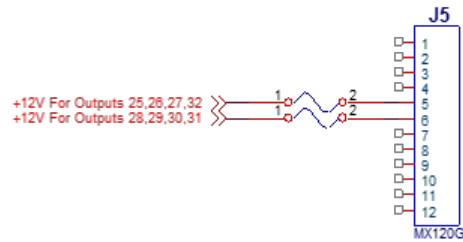
Wire Color	Relay Output	Connector Pin	Connection
Blue	Output 25	J5-1	
Red	Output 26	J5-2	
Violet	Output 27	J5-3	
Brown	Output 32, or BCM Inp3	J5-4	
Pink	+12V For Outputs 25,26,27,32	J5-5	
Tan	+12V For Outputs 28,29,30,31	J5-6	
Gray	INP 3	J5-7	
Black	N/C	J5-8	
Green	Output 28	J5-9	
White	Output 29	J5-10	
Yellow	Output 30	J5-11	
Orange	Output 31	J5-12	

### Outputs 18, 24, and 32



## Fusing Input Power Leads

**WARNING !**  
 J5-Pos 5 wire (PINK) is +12V Power for Outputs 25,26,27,32  
 J5-Pos 6 wire (TAN) is +12V Power for Outputs 28,29,30,31



## Specifications

System Specifications	
Input Voltage	11 Vdc to 16.0 Vdc
Polarity	Negative ground only
Operating Temperature Range	-40°C to 120°C (-40°F to 248°F) all relays at 50 percent power
Standby Current	Less than 0.1 A
Max Input Current	40 A
EXPMOD32 - Dimensions	
Height x Width x Length	1.2 x 5.0 x 7.4 in (3.05 x 12.7 x 18.8 cm)
Net Weight	0.75 lb (0.45 kg)
Relay Specifications	
Relays 1-32	2.5 A max (active high), 40 A maximum total

## Expansion Module Dimensions in Inches

