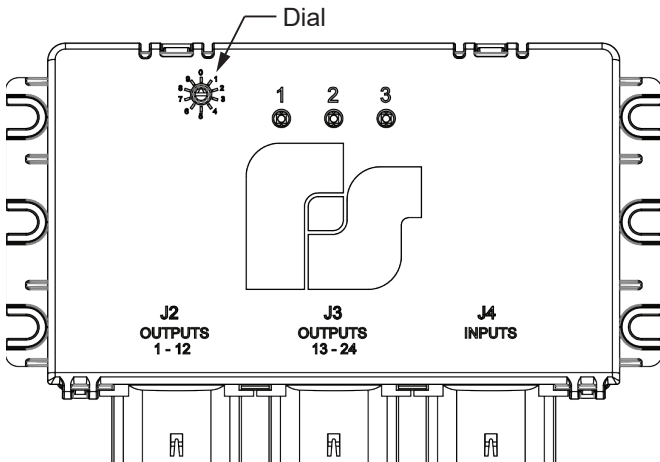


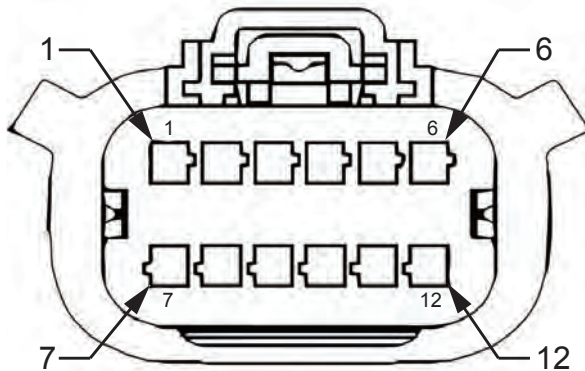
25500617 REV. A0 0420

⚠ WARNING

To properly install this Pathfinder Expansion Module, you must have a good understanding of automotive electrical procedures and systems, along with proficiency in the installation and use of safety warning equipment. Before installing this module, refer to the unabridged instructions (doc no. 25500613), which is included with the Expansion Module product packaging or online at www.fedsig.com.



Wiring Pinout Description



J2 Flashing Outputs 1-12

Wire Color	Relay Output	Connector Pin	Connection
Blue	1	J2-1	
Red	2	J2-2	
Violet	3	J2-3	
Brown	4	J2-4	
Pink	5	J2-5	
Tan	6	J2-6	
Gray	7	J2-7	
Black	8	J2-8	
Green	9	J2-9	
White	10	J2-10	
Yellow	11	J2-11	
Orange	12	J2-12	

LED Indicators

L2	L3	Module #
OFF	OFF	Module 1
OFF	ON	Module 2
ON	OFF	Module 3
ON	ON	Module 4
FLASHING		Module in test pattern flashing

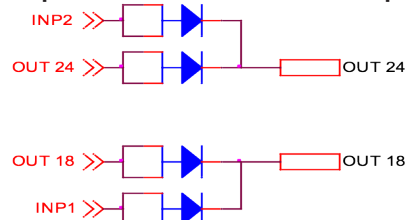
Dial Positions

Dial Position	Description
0	Module #1
1	Module #2
2	Module #3
3	Module #4
4-8	Not in use
9	Relay output test pattern

J3 Flashing Outputs 13-24

Wire Color	Relay Output	Connector Pin	Connection
Blue	13	J3-1	
Red	14	J3-2	
Violet	15	J3-3	
Brown	16	J3-4	
Pink	17	J3-5	
Tan	18 "OR" Inp1	J3-6	
Gray	19	J3-7	
Black	20	J3-8	
Green	21	J3-9	
White	22	J3-10	
Yellow	23	J3-11	
Orange	24 "OR" Inp2	J3-12	

Outputs 18 and 24: "Diode OR" Inputs

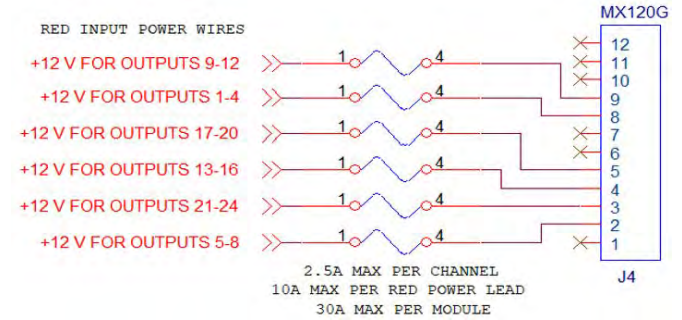


Pathfinder Expansion Module QuickStart Guide

J4 Power and Network Connections

Wire Color	Function	Connector Pin
Blue	Input 1	J4-1
Red	+12 V For Outputs 5-8	J4-2
Red	+12 V For Outputs 21-24	J4-3
Red	+12 V For Outputs 13-16	J4-4
Red	+12 V For Outputs 17-20	J4-5
RJ45 (Pos 3)	Convergence Data A	J4-6
Gray	Input 2	J4-7
Red	+12 V For Outputs 1-4	J4-8
Red	+12 V For Outputs 9-12	J4-9
RJ45 (Pos 6)	Convergence Data B	J4-10
RJ45 (Pos 8)	Convergence Net Power	J4-11
RJ45 (Pos 1)	Convergence Net Gnd	J4-12

Fusing Input Power Leads



Specifications

System Specifications	
Input Voltage	11 Vdc to 16.0 Vdc
Polarity	Negative ground only
Operating Temperature Range	-40°C to 120°C (-40°F to 248°F) - all relays at 50 percent power
Standby Current	Less than 0.1 A
Max Input Current	30 A
EXPMOD24 - Dimensions	
Height x Width x Length	1.2 x 4 x 6.3 in (3.05 x 10.16 x 16 cm)
Net Weight	0.75 lb (0.45 kg)
Relay Specifications	
Relays 1-24	2.5 A max (active high), 30 A maximum total

Expansion Module Dimensions in Inches

