

25500573 Rev. A1 0819

Safety Message to Installers of Warning Light Equipment

WARNING

People's lives depend on your proper installation and servicing of Federal Signal products. It is important to read and follow all instructions shipped with this product and the original product. In addition, listed below are some other important safety instructions and precautions you should follow.

- To properly install the lighting and siren systems, you must have a good understanding of automotive systems, along with proficiency in the installation and use of safety warning equipment.
- Do not install equipment or route wiring in the deployment path of an airbag.
- If a vehicle seat is temporarily removed, verify with the vehicle manufacturer if the seat needs to be recalibrated for proper airbag deployment.
- You should frequently inspect the light system to ensure that it is operating properly and that it is securely attached to the vehicle.
- When drilling into a vehicle structure, ensure that both sides of the surface are clear of anything that could be damaged.
- Refer to the instructions packed with related products for additional precautions and information.
- Do not stare directly into the lights at a close range, or permanent damage to your eyesight may occur.
- File these instructions in a safe place and refer to them when maintaining and/or reinstalling the product.

Failure to follow all safety precautions and instructions may result in property damage, serious injury, or death.

Introduction

This publication has instructions for using the Bracket Kit to mount the ES100C and/or IMPAXX IPX600B, IPX300 or MicroPulse MPS600, MPS600U, MPS1200, MPS1200U, and MPSW9 lights in the upper grille of the Ford Police Interceptor Utility.

NOTE: This kit is not compatible with the hybrid version of the 2020 Ford Police Interceptor Utility vehicle.

Unpacking the Kit

After unpacking the kit, inspect it for damage that may have occurred in transit. If it has been damaged, do not attempt to install or operate it. File a claim immediately with the carrier, stating the extent of damage. Carefully check all envelopes, shipping labels, and tags before removing or destroying them. Ensure that the parts in the KIT CONTENTS LIST are included in the package. Disposal of all shipping materials must be carried out in accordance with national and local codes and standards. If you are missing any parts, contact Customer Support at 1-800-264-3578, 7 a.m. to 5 p.m., Monday through Friday (CT).

Table 1 Kit contents

Qty.	Description	Part Number
1	ES100C 20FPIU IPX-MPS Grille Bracket	856703077
3	#14 Hex Washer Head TEK Screw	7011243-16
3	1/4" Lockwasher	7074A016
4	#6-32 Phillips Pan Head Stainless Steel Screw	7000491-08
4	#6-32 Stainless Steel Keps Nut	7058A046

Installing the Brackets

⚠ WARNING

AIRBAG DEPLOYMENT: Do not install equipment or route wiring in the deployment path of an airbag. Failure to observe this warning will reduce the effectiveness of the airbag or potentially dislodge the equipment, causing serious injury or death.

NOTICE

THREAD DAMAGE AND GALLING: To prevent thread damage and galling, anti-seize lubricant must be used on all stainless steel fasteners.

NOTICE

DRILLING PRECAUTION: When drilling holes, check the area you are drilling into to be sure you do not damage vehicle components. All drilled holes should be deburred and all sharp edges should be smoothed. All wire routings going through drilled holes should be protected by a grommet or convolute/split loom tubing.

IMPORTANT: Plan all cable routing before the installation.

1. To access the area behind the grille, remove the fascia per the manufacturer's service manual.
2. Place the bracket on the top of the aluminum bumper. Center the bracket on the bumper. See Figures 1 and 2.

Figure 1 Bumper with Bracket

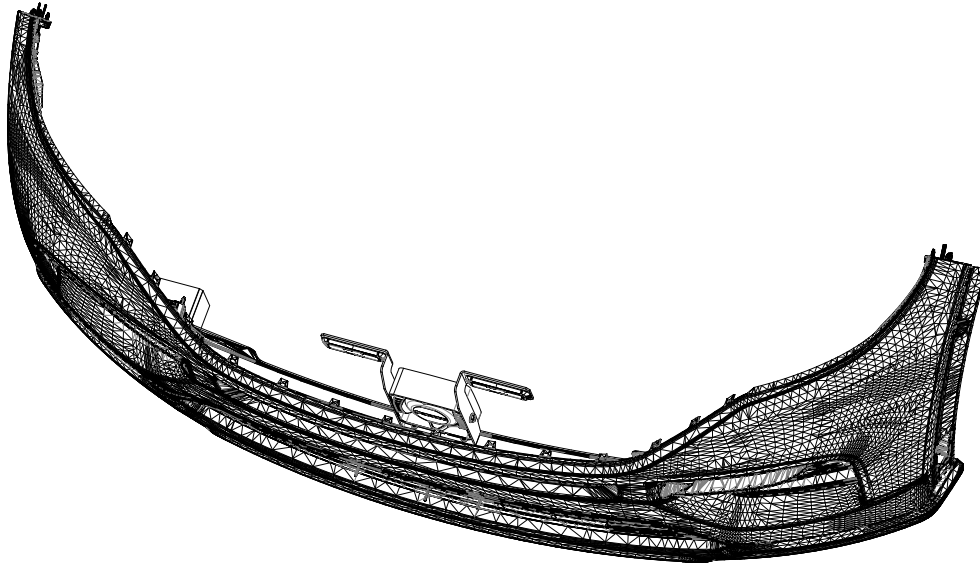
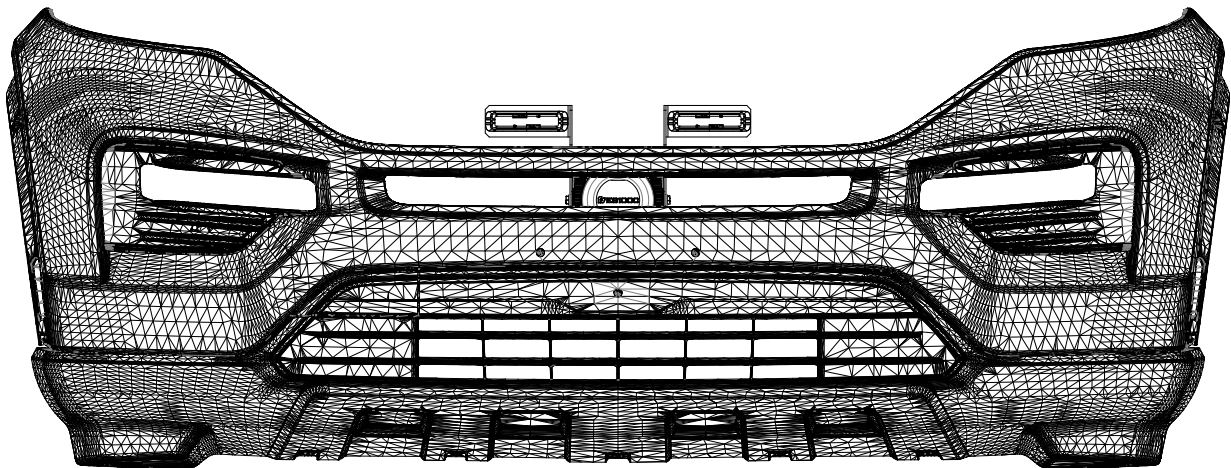


Figure 2 Front View of Bumper with Bracket



3. Install the bracket to the bumper with the included #14 self-drilling screws and lock washers. Do not overtighten.
4. Mount the speaker to the bracket with the 5/16-inch hex flange bolts included with the speaker.

⚠ WARNING

ES100C SERIES SPEAKER WIRES: To avoid reducing the sound output and damaging the speaker, ensure that the speaker is mounted with the wires protruding from the bottom of the speaker.

⚠ WARNING

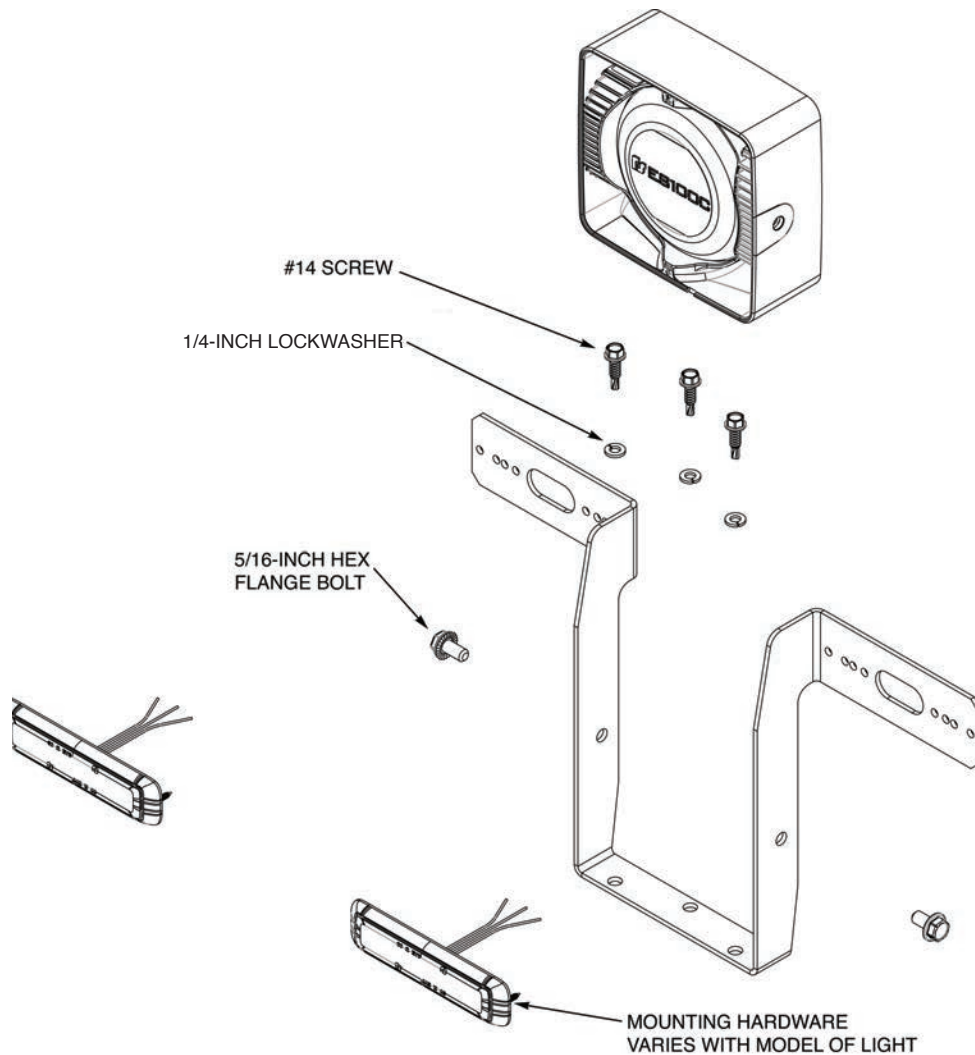
SOUND REDUCTION WARNING: To avoid reduction of sound output, ensure that the speaker is mounted with the sound opening facing directly in the direction intended to warn.

5. Mount the lights to the bracket.

IPX600B uses hardware supplied with the light head.

IPX300 and MicroPulse use the #6-32 screws and Keps nuts in this kit.

Figure 3 Exploded view of ES100C and lights with mounting system



6. Complete installation according to the instructions provided with the speaker and light head.

⚠ WARNING

LIGHT HAZARD: To be an effective warning device, an emergency warning system produces bright light that can be hazardous to your eyesight when viewed at a close range. Do not stare directly into the lights at a close range, or permanent damage to your eyesight may occur.

⚠ WARNING

SOUND HAZARD: All effective sirens and horns produce loud sounds (120 dB) that may cause permanent hearing loss. Always minimize your exposure to siren sounds and wear hearing protection. Do not sound the siren indoors or in enclosed areas where you and others will be exposed to the sound.

⚠ CAUTION

HOT SURFACE: The speaker gets hot enough to burn you. Always allow it to cool before handling it.

7. Test the lights and siren for proper operation.
8. Reassemble the vehicle.

Getting Technical Support

For technical support, please contact:

Federal Signal Corporation
Service Department
Phone: 1-800-433-9132
Fax: 1-800-343-9706
Email: empsserviceinfo@fedsig.com

Getting Repair Service

The Federal Signal factory provides technical assistance with any problems that cannot be handled locally. Any product returned to Federal Signal for service, inspection, or repair must be accompanied by a Return Material Authorization (RMA). Obtain a RMA from a local Distributor or Manufacturer's Representative. Provide a brief explanation of the service requested, or the nature of the malfunction.

Address all communications and shipments to the following:

Federal Signal Corporation
Service Department
2645 Federal Signal Dr.
University Park, IL 60484-3167

Ordering Replacement Parts

To order replacement parts, call Customer Support at 1-800-264-3578, 7 am to 5 pm, Monday through Friday (CT) or contact your nearest distributor.

Limited Warranty

This product is subject to and covered by a limited warranty, a copy of which can be found at www.fedsig.com/SSG-Warranty. A copy of this limited warranty can also be obtained by written request to Federal Signal Corporation, 2645 Federal Signal Drive, University Park, IL 60484, email to info@fedsig.com or call +1 708-534-3400.

This limited warranty is in lieu of all other warranties, express or implied, contractual or statutory, including, but not limited to the warranty of merchantability, warranty of fitness for a particular purpose and any warranty against failure of its essential purpose.



FEDERAL SIGNAL
Safety and Security Systems

2645 Federal Signal Drive
University Park, Illinois 60484-3167

www.fedsig.com

Customer Support

Police/Fire-EMS: 800-264-3578 • +1 708 534-3400

Work Truck: 800-824-0254 • +1 708 534-3400

Technical Support: 800-433-9132 • +1 708 534-3400

© *Copyright 2019 Federal Signal Corporation*

All product names or trademarks are properties of their respective owners.