

25500221 Rev. A0

Safety Message to Installers of Warning Light Equipment

▲ WARNING

People's lives depend on your proper installation and servicing of Federal Signal products. It is important to read and follow all instructions shipped with this product and the original product. In addition, listed below are some other important safety instructions and precautions you should follow:

- To properly install the lighting and siren systems, you must have a good understanding of automotive systems, along with proficiency in the installation and use of safety warning equipment.
- Do not install equipment or route wiring in the deployment path of an airbag.
- If a vehicle seat is temporarily removed, verify with the vehicle manufacturer if the seat needs to be recalibrated for proper airbag deployment.
- You should frequently inspect the light system to ensure that it is operating properly and that it is securely attached to the vehicle.
- When drilling into a vehicle structure, be sure that both sides of the surface are clear of anything that could be damaged.
- Refer to the instructions packed with related products for additional precautions and information.
- Do not stare directly into the lights at a close range or permanent damage to your eyesight may occur.
- File these instructions in a safe place and refer to them when maintaining and/or reinstalling the product.

Failure to follow all safety precautions and instructions may result in property damage, serious injury, or death.

Introduction

This publication has instructions for using the Bracket Kit to mount the ES100C and/or IMPAXX IPX600B, IPX300 or MicroPulse MPS600, MPS600U, MPS1200, MPS1200U, and MPSW9 lights in the upper grille of the Ford Police Interceptor Utility.

Unpacking the Kit

After unpacking the kit, inspect it for damage that may have occurred in transit. If it has been damaged, do not attempt to install or operate it. File a claim immediately with the carrier, stating the extent of damage. Carefully check all envelopes, shipping labels, and tags before removing or destroying them. Ensure that the parts in the KIT CONTENTS LIST are included in the package. Disposal of all shipping materials must be carried out in accordance with national and local codes and standards. If you are missing any parts, contact Customer Support at 1-800-264-3578, 7 a.m. to 5 p.m., Monday through Friday (CT).

Table 1 Kit contents

Qty.	Description	Part Number
1	Bracket, ES100C, IPX-MPS Grille, 16FPIU	856701319
3	Screw, #14, Hex Washer-Head, TEK	7011243-16
3	1/4" Lockwasher	7074A016
4	Screw, 6-32, Phillips Pan-Head, SS	7000491-08
4	Nut, 6-32 KEPS, SS	7058A046

Installing the Brackets

⚠ WARNING

AIRBAG DEPLOYMENT: Do not install equipment or route wiring in the deployment path of an airbag. Failure to observe this warning will reduce the effectiveness of the airbag or potentially dislodge the equipment, causing serious injury or death.

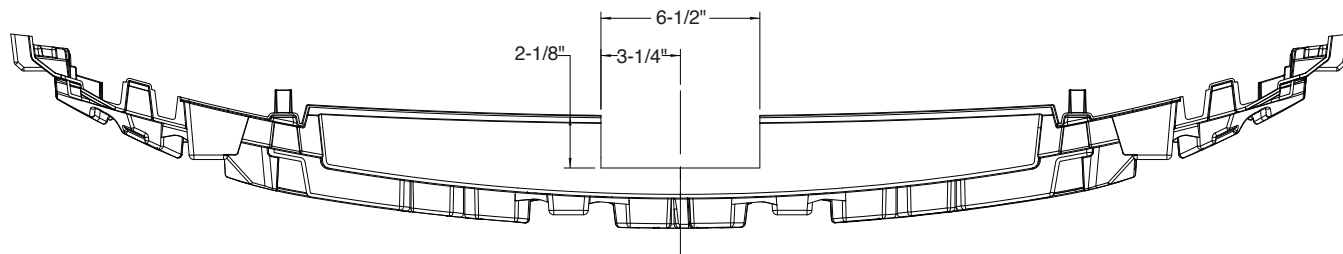
NOTICE

DRILLING PRECAUTION: When drilling holes, check the area you are drilling into to be sure you do not damage vehicle components. All drilled holes should be deburred and all sharp edges should be smoothed. All wire routings going through drilled holes should be protected by a grommet or convolute/split loom tubing.

IMPORTANT: Plan all cable routing before the installation.

1. To access the area behind the grille, remove the fascia per the manufacturer’s service manual.
2. On the air baffle, locate the plastic piece that was over the top of the bumper
3. Cut the plastic to the dimensions in Figure 1 below.

Figure 1 Location and dimensions cutout in top of air baffle



4. Using the bracket as a template, position the center of the bracket in the center of the bumper. Mark the mounting holes.
5. Drill the marked holes with a 13/64" drill.
6. Install the bracket with three #14 screws and lockwashers. Do not over tighten.

⚠ WARNING

ES100C SERIES SPEAKER WIRES: To avoid reducing the sound output and damaging the speaker, ensure that the speaker is mounted with the wires protruding from the bottom of the speaker.

⚠ WARNING

SOUND REDUCTION WARNING: To avoid reduction of sound output, ensure that the speaker is mounted with the sound opening facing directly in the direction intended to warn.

7. Mount the speaker to the bracket with the 5/16" hex flange bolts included with the speaker.
8. See Figure 2 on page 4. Mount the lights to the bracket:
 - IPX600B uses hardware supplied with the lighthead
 - IPX300 and MicroPulse uses the 6-32 screws and KEPS nuts in this kit.
9. Complete installation according to the instructions provided with the speaker and light head.

⚠ WARNING

LIGHT HAZARD: To be an effective warning device, an emergency warning system produces bright light that can be hazardous to your eyesight when viewed at a close range. Do not stare directly into the lights at a close range or permanent damage to your eyesight may occur.

⚠ WARNING

SOUND HAZARD: All effective sirens and horns produce loud sounds (120 dB) that may cause permanent hearing loss. Always minimize your exposure to siren sound and wear hearing protection. Do not sound the siren indoors or in enclosed areas where you and others will be exposed to the sound.

⚠ CAUTION

HOT SURFACE: The speaker gets hot enough to burn you. Always allow it to cool before handling it.

10. Test the lights and siren for proper operation.
11. Reassemble the vehicle.

Figure 2 Exploded view of ES100C and lights with mounting system

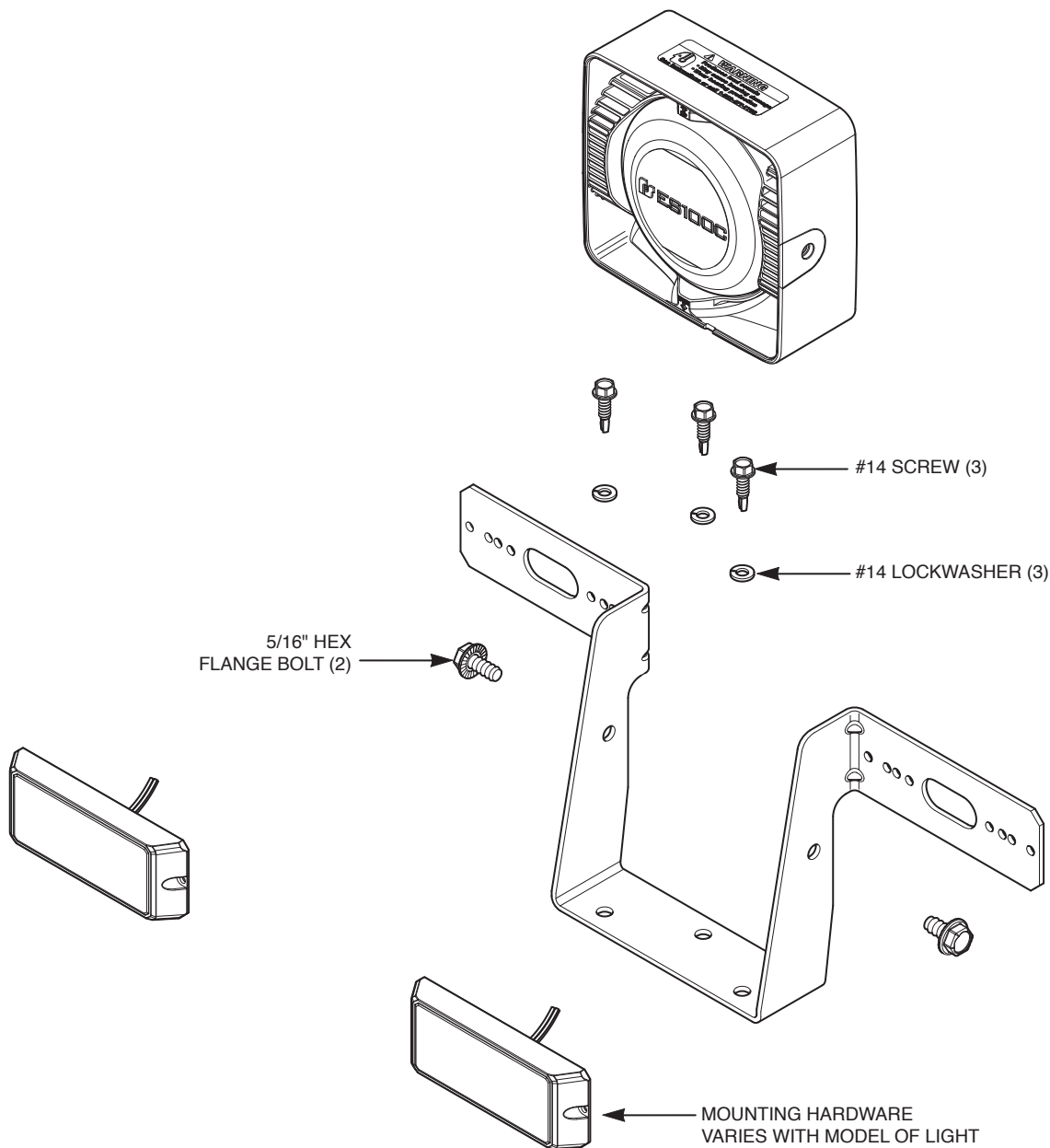


Figure 3 ES100C positioned for mounting through cutout in baffle

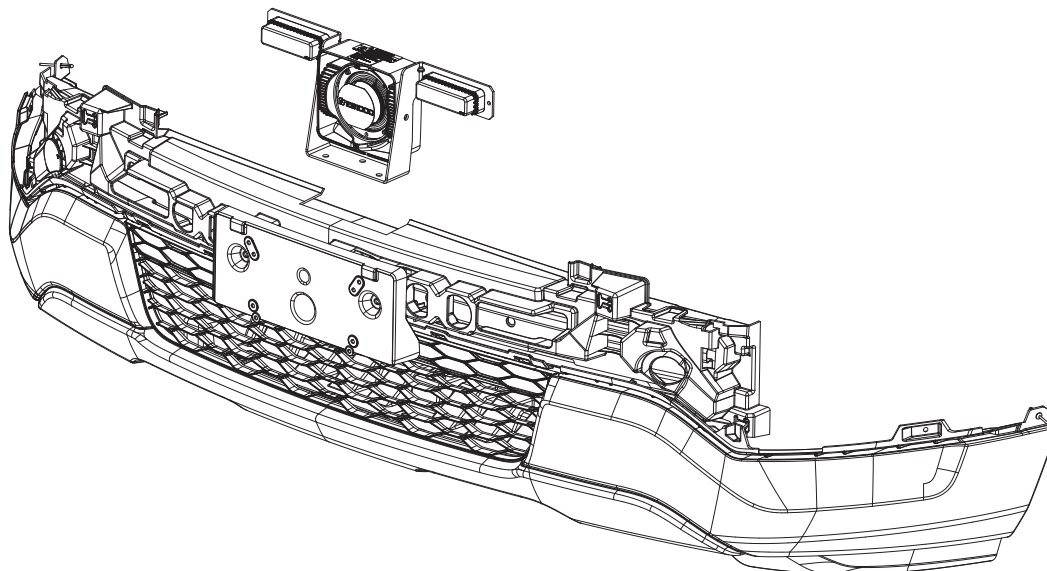
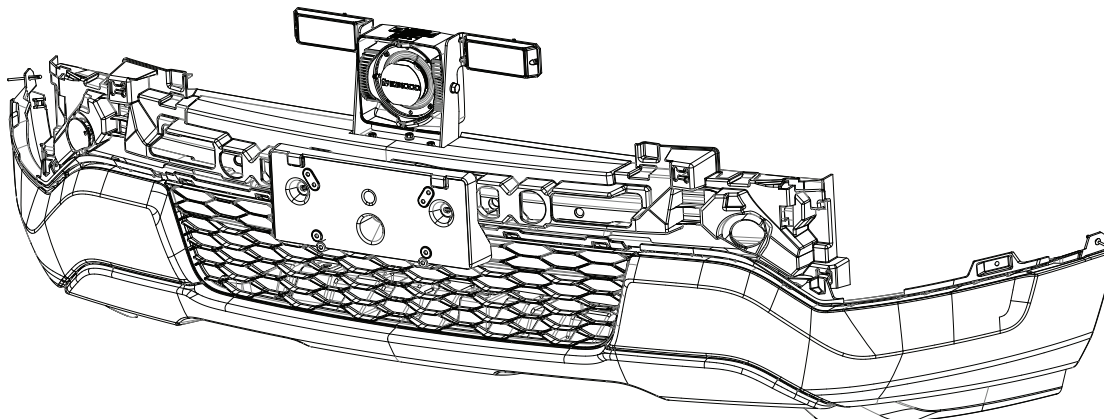


Figure 4 ES100C mounted in center of bumper



Getting Technical Support and Service

Federal Signal Corporation will service your equipment or provide technical assistance with any problems that cannot be handled locally. Any product returned to Federal Signal for service, inspection, or repair must be accompanied by a Return Material Authorization number. The RMA number can be obtained from your local distributor or Federal Signal. Please provide a brief explanation of the service requested or the nature of the malfunction. Contact your local dealer/distributor for replacement parts availability or contact the Federal Signal Service Department (7 a.m. to 5 p.m., Monday through Friday, Central Time) at:

Service Department
Federal Signal Corporation
2645 Federal Signal Drive
University Park, IL 60484-3167
800-433-9132, 800-343-9706 (fax)

Getting Technical Support and Service

For technical support and service, please contact:

Federal Signal Corporation
Service Department
Public Safety Systems
Phone: 1-800-433-9132
Fax: 1-800-343-9706
Email: empSERVICEinfo@fedSIG.com
www.fedSIG.com

Returning a Product to Federal Signal

Before returning a product to Federal Signal, call 800-264-3578, 800-433-9132, or 800-824-0254 to obtain a Returned Merchandise Authorization number (RMA number). To expedite the process please be prepared with the following information:

- Your Federal Signal customer or account number.
- The purchase order number under which the items were purchased.
- The shipping method.
- The model or part number of the product being returned.
- The quantity of products being returned.
- Drop ship information as needed.
- Any estimate required.

When you receive your RMA Number:

- Write the RMA number on the outside of the box of returned items.
- Reference the RMA number on your paperwork inside of the box.
- Write the RMA number down, so that you can easily check on status of the returned equipment.

Send all material with the issued RMA Number to:

Public Safety Systems
2645 Federal Signal Drive
University Park, IL 60484-3167
Attn: Service Department
RMA: # _____
800-433-9132
800-343-9706 (fax)
www.fedSIG.com

Ordering Replacement Parts

To order replacement parts, please contact your local dealer/distributor or:

Customer Support

Federal Signal Corporation

Phone: 1-800-264-3578

www.fedsig.com



2645 Federal Signal Drive, University Park, IL 60484-3167
Tel.: (800) 264-3578 • Fax: (800) 682-8022
www.fedsig.com