

Atkinson Dynamics Accessories

► Model ADNCM

Noise Canceling Microphone

FEATURES

- Designed to cancel out 90% of background noise
- Standard 6 foot (1.82m) coiled cord, retracts to only 1 foot (0.30 m)
- Intercom requires the (-7) option, noise canceling microphone ready
- Comfortable 3 inch (7.62cm) wide by 4 inch (10.16cm) high microphone body with a large side mounted push-to-talk button



► Model ADFP

Foot Pedal

FEATURES

- For hands free Push To Talk capability
- Heavy-duty cast iron construction
- Complies with OSHA requirements for full shielding
- Finished in a bright safety orange paint
- Oil and water tight construction, NEMA 2, 4 and 13 Rated
- Large 6 inch (15.24 cm) wide by 4.5 inch (11.43 cm) high pedal opening for ease of operation
- Requires the (-2) option, Foot Pedal Ready



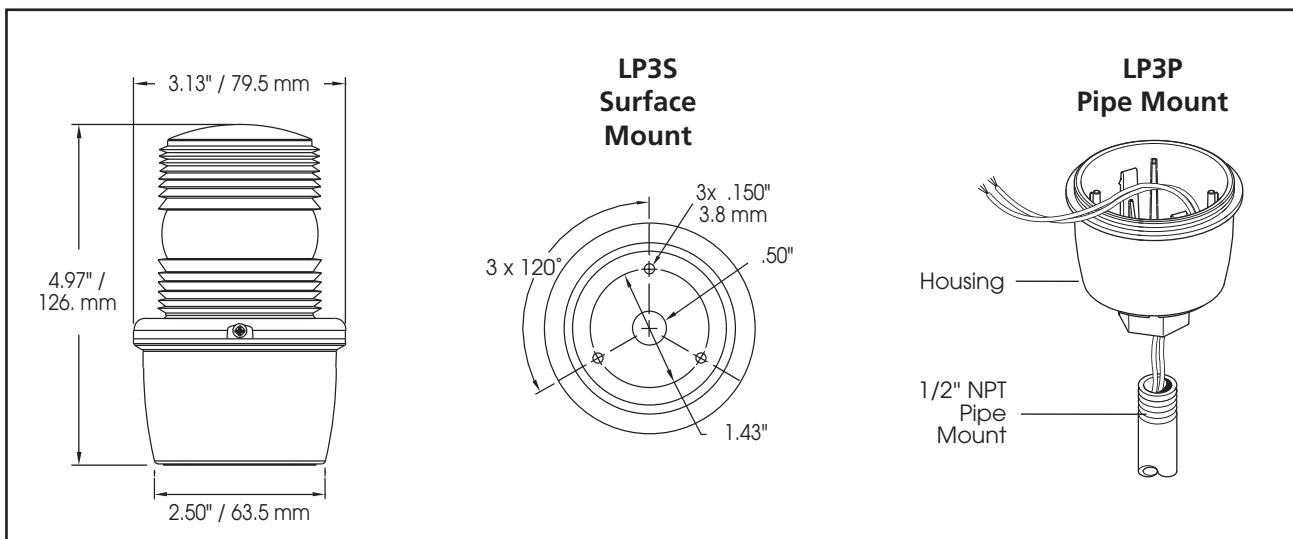
► Models LP3S and LP3P

Auxiliary Strobe Light



FEATURES

- LP3S – surface mount, LP3P – 1/2" NPT pipe mount
- 175,000 peak candela (51.1 ECP)
- 4,000 hour lamp life
- Type 4X, IP66 enclosure
- IP69K compliant
- Amber, Blue, Clear, Green and Red lens options
- Available in 12-48VDC, 120VAC and 240VAC
- Activated by a second intercom equipped with the Call Button (A) and Auxiliary Signal (-3)
- 80 (+/-15) FPM
- CSA Certified
- UL and cUL Listed



HOW TO ORDER

MODEL	VOLTAGE	OPERATING CURRENT	MOUNT
LP3P-012-048 *	12-48VDC	0.44 - 0.10 amp	Pipe
LP3S-012-048 *	12-48VDC	0.44 - 0.10 amp	Surface
LP3P-120 *	120VAC	0.10 amp	Pipe
LP3S-120 *	120VAC	0.10 amp	Surface
LP3P-240 *	240VAC	0.07 amp	Pipe
LP3S-240 *	240VAC	0.07 amp	Surface

* Indicates color: (A) Amber, (B) Blue, (C) Clear, (G) Green or (R) Red