

25500693 Rev. A0 1220

Safety Message to Installers of Warning Light Equipment

▲ WARNING

People's lives depend on your safe installation of our products. It is important to read, understand, and follow all instructions shipped with this product and the related add-on products. Listed below are some other important safety instructions and precautions you should follow.

- To properly install a light assembly, you must have a good understanding of automotive electrical procedures and systems, along with proficiency in the installation and use of safety warning equipment.
- If a vehicle seat is temporarily removed, verify with the vehicle manufacturer if the seat needs to be recalibrated for proper airbag deployment.
- When drilling into a vehicle structure, be sure that both sides of the surface are clear of anything that could be damaged.
- To be an effective warning device, this product produces bright light that can be hazardous to your eyesight when viewed at close range. Do not stare directly into this lighting product at close range, or permanent damage to your eyesight may occur.
- Frequently inspect the light system to ensure that it is operating properly and that it is securely attached to the vehicle.
- Refer to the instruction sheets included with related products for additional precautions and information.
- File these instructions in a safe place and refer to them when maintaining or reinstalling the product.

Failure to follow all safety precautions and instructions may result in property damage, serious injury, or death.

Preparing the Mounting Surface

Refer to the installation and maintenance instructions included with the light bar for electrical connections. Plan all cable routings before the installation. It is the installer's responsibility to ensure that mounting surface can support the mass of the light bar.

Introduction

Use the model A21219 to mount a 21-inch Allegiant light bar to a roof mount bar, series 210960.

Unpacking the Kit

After unpacking the kit, inspect it for damage that may have occurred in transit. If the contents have been damaged, do not install the kit. File a claim immediately with the carrier, stating the extent of the damage. Carefully check all envelopes, shipping labels, and tags before removing or destroying them. Ensure that the parts listed in Table 1 are included in the package.

A21219 Mounting Kit Mounting Kit for 21-inch Allegiant® Light Bars

Table 1 Kit contents

Qty	Description	Part No.
2	Bracket	865303700
4	5/16-18 x 7/8-inch carriage bolt	7004025-14
4	5/16-18 el. stop nut	058A011
4	5/16-inch flat washer	7072A031
2	1/4-20 x 5/8-inch carriage bolt	7004A020-10
2	1/4-20 el. Stop nut	7058055
2	1/4-inch flat washer	7072A024

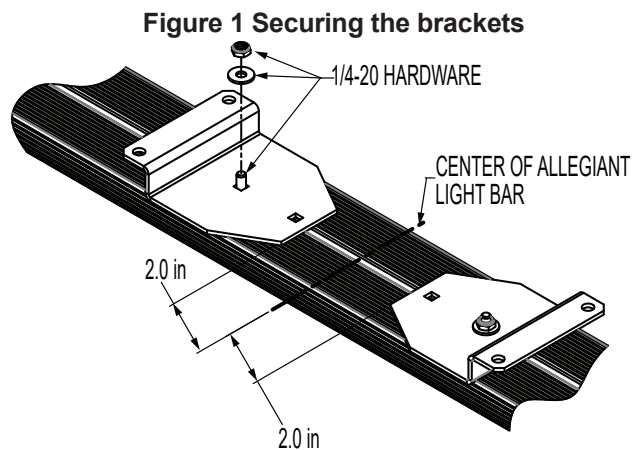
Installing onto the Roof Bar

The brackets may be installed in two orientations: Concealed or Exposed.

Concealed Bracket Installation

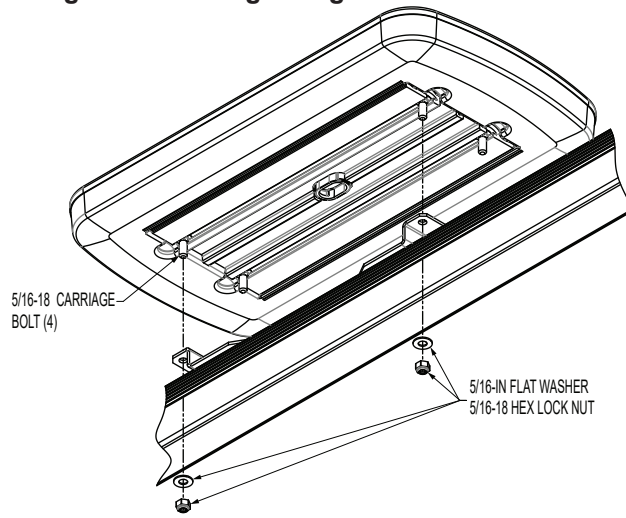
To install with a concealed bracket:

1. Determine where the light is to be mounted on the roof mount bar. Mark the aluminum extrusion at the center of the 21-inch Allegiant for reference if needed.
2. Using the mark placed in step 1, place two marks, one 2 inches to the left and the other 2 inches to the right. See Figure 1.
3. Slide the two 1/4-20 carriage bolts into the channel on the top of the roof mount bar. Using the provided 1/4-20 locking nut and flat washer, secure the brackets with their edges located at each of the marks. See Figure 1.



4. Secure the light bar to the brackets by using the supplied 5/16-inch hardware. See Figure 2.

Figure 2 Securing the light bar to the bracket



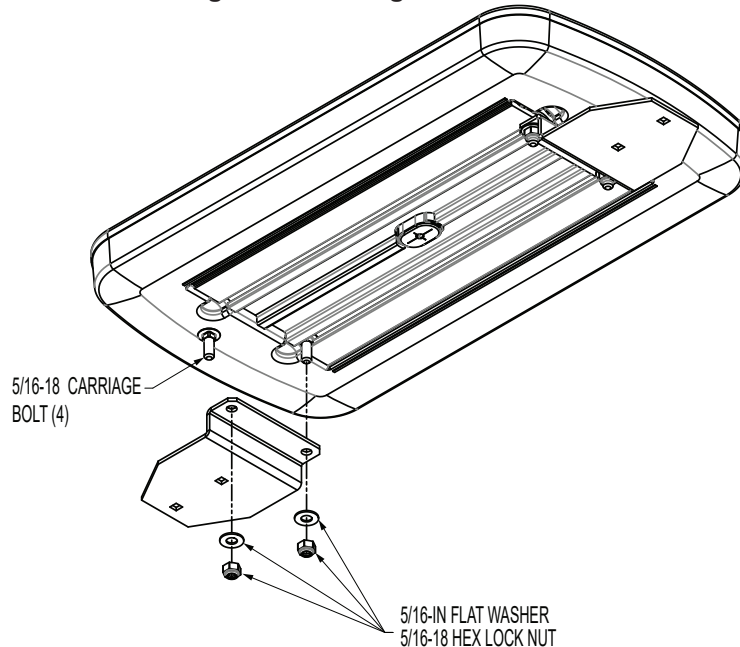
5. Continue installing the light bar according to its included instruction sheet.

Exposed Bracket Installation

To install with an exposed bracket:

1. Secure the brackets to the bottom of the light bar using the 5/16-inch hardware. See Figure 3. Position each bracket so there is sufficient tool clearance to tighten the hardware noted in the next step.

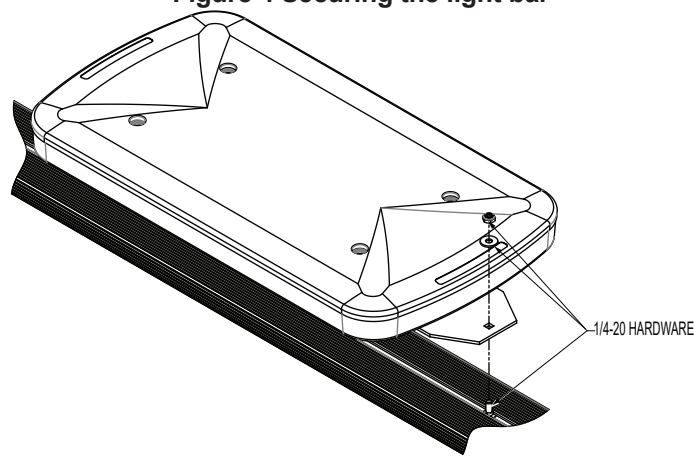
Figure 3 Securing the brackets



A21219 Mounting Kit Mounting Kit for 21-inch Allegiant® Light Bars

2. Secure the light bar and brackets to the roof mount bar using the supplied 1/4-inch hardware. See Figure 4.

Figure 4 Securing the light bar



3. Continue installing the light bar according to its included instruction sheet.

Getting Technical Support

For technical support, please contact:
Federal Signal Corporation
Service Department
Phone: 1-800-433-9132
Fax: 1-800-343-9706
Email: empserviceinfo@fedsig.com



2645 Federal Signal Drive
University Park, Illinois 60484-3167

www.fedsig.com

Customer Support

Police/Fire-EMS: 800-264-3578 • +1 708 534-3400
Work Truck: 800-824-0254 • +1 708 534-3400
Technical Support: 800-433-9132 • +1 708 534-3400

© Copyright 2020 Federal Signal Corporation

All product names or trademarks are properties of their respective owners.