

25500311 Rev. A1 0121

Safety Message to Installers of Warning Light Equipment

▲ WARNING

People's lives depend on your safe installation of our products. It is important to read, understand, and follow all instructions shipped with this product and the related add-on products. Listed below are some other important safety instructions and precautions you should follow:

- To properly install a light assembly, you must have a good understanding of automotive electrical procedures and systems, along with proficiency in the installation and use of safety warning equipment.
- If a vehicle seat is temporarily removed, verify with the vehicle manufacturer if the seat needs to be recalibrated for proper airbag deployment.
- When drilling into a vehicle structure, ensure that both sides of the surface are clear of anything that could be damaged.
- To be an effective warning device, this product produces bright light that can be hazardous to your eyesight when viewed at close range. Do not stare directly into this lighting product at close range, or permanent damage to your eyesight may occur.
- Frequently inspect the light system to ensure that it is operating properly and that it is securely attached to the vehicle.
- Refer to the instruction sheets included with related products for additional precautions and information.
- File these instructions in a safe place and refer to them when maintaining or reinstalling the product.

Failure to follow all safety precautions and instructions may result in property damage, serious injury, or death.

Kit Description

These kits are intended to mount select Federal Signal light bars to flat surfaces. The number of brackets and amount of hardware will vary as described in Table 1 Kit Contents. This variation is to account for various length light bars.

Unpacking the Kit

After unpacking the kit, inspect it for damage that may have occurred in transit. If the contents have been damaged, do not install the kit. File a claim immediately with the carrier, stating the extent of the damage. Carefully check all envelopes, shipping labels, and tags before removing or destroying them. Ensure that the parts listed in Table 1 Kit Contents are included in the package.

Table 1 Kit contents

	806501522-2	806501522-4
Description	QTY	QTY
5/16-18 x 1-inch Bolt Carriage	4	8
Washer, Flat, 5/16-inch Flat Washer	4	8
5/16-18 Elastic Stop Nut	4	8
Mounting Bracket	2	4

Preparing the Mounting Surface

Refer to the installation and maintenance instructions included with the lightbar for electrical connections. Plan all cable routings before the installation. It is the installer's responsibility to ensure that the mounting surface can support the mass of the lightbar.

⚠ WARNING

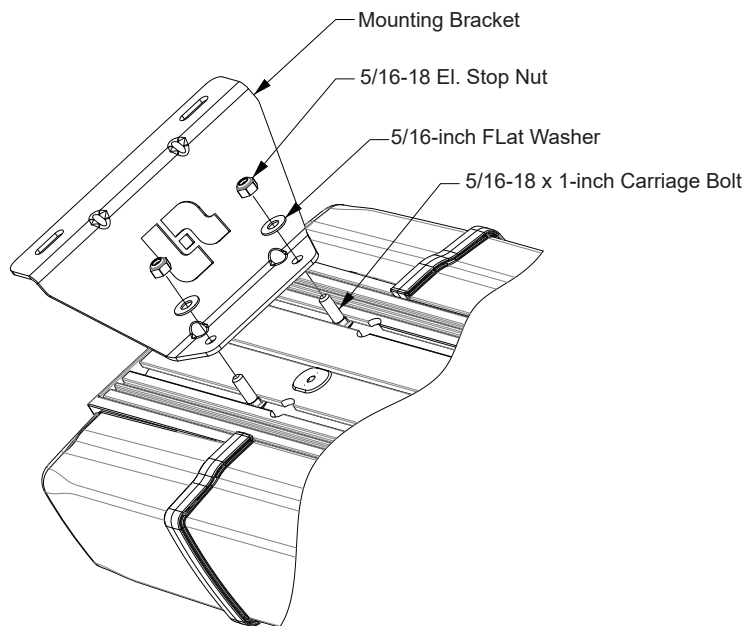
HEAVY OBJECT: Use lifting aids and proper lifting techniques when removing or replacing this product. Failure to follow this warning may cause personal injury.

Double Bracket Kit (806501522-2)

To mount the double bracket kit, do the following:

1. Select suitable flat mounting surface.
2. Attach brackets to bottom of the light bar as shown in Figure 1. Mount brackets no more than 3.5 inches from each end of light bar.

Figure 1 Mounting Bracket



3. Using the brackets as a template, mark drill position marks for the 3/8-inch mounting hardware at each mounting location.

NOTICE

DRILLING PRECAUTIONS: When drilling holes, check the area you are drilling into to ensure that you do not damage vehicle components while drilling. All drilled holes should be de-burred and all sharp edges should be smoothed. All wire routings going through drilled holes should be protected by a grommet or convolute/split loom tubing.

4. Drill a 13/32-inch hole at the drill position marks.
5. Attach the light bar to mounting surface using user supplied 3/8-inch hardware.

NOTICE

PROPER SURFACE CLEANING: Clean and lightly oil the mounting bolts. Torque the 5/16-inch hardware to 120-132 in-lbs. Torque the 3/8-inch hardware to industry recommendations based on material grade and size/thread pitch.

⚠ WARNING

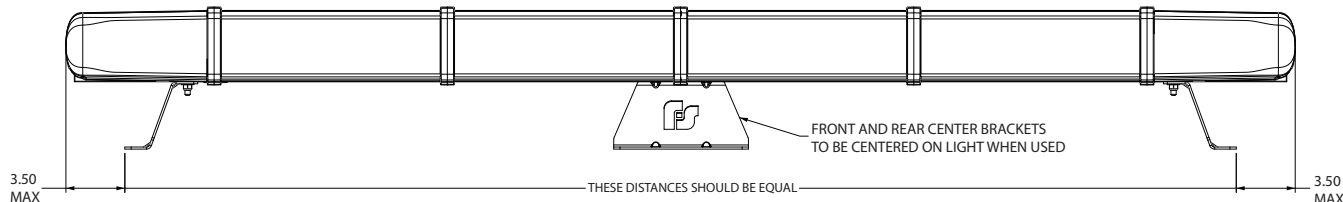
HEAVY OBJECT: Use lifting aids and proper lifting techniques when removing or replacing this product. Failure to follow this warning may cause personal injury.

Quad Bracket Kit (806501522-4)

To mount the quad bracket kit, do the following:

1. Select a suitable flat mounting surface.
2. Attach the brackets to bottom of the light bar as shown in Figure 1. Mount end brackets no more than 3.5 inches from each end of light bar. Mount center brackets, one each in front and rear slots in extrusion. Center the center brackets on length of extrusion. See Figure 2.

Figure 2 Light bar centered on the vehicle roof



3. Using the brackets as a template, mark drill position marks for the 3/8-inch mounting hardware at each mounting location.

NOTICE

DRILLING PRECAUTIONS: When drilling holes, check the area you are drilling into to ensure that you do not damage vehicle components while drilling. All drilled holes should be de-burred and all sharp edges should be smoothed. All wire routings going through drilled holes should be protected by a grommet or convolute/split loom tubing.

4. Drill a 13/32-inch hole at the drill-position marks.
5. Attach lightbar to mounting surface using user supplied 3/8-inch hardware.

NOTICE

PROPER SURFACE CLEANING: Clean and lightly oil the mounting bolts. Torque the 5/16-inch hardware to 120-132 in-lbs. Torque the 3/8-inch hardware to industry recommendations based on material grade and size/thread pitch.

Getting Technical Support

For technical support, please contact:
Federal Signal Corporation
Service Department
Phone: 1-800-433-9132
Fax: 1-800-343-9706
Email: empsserviceinfo@fedsig.com

Getting Repair Service

The Federal Signal factory provides technical assistance with any problems that cannot be handled locally.

Any units returned to Federal Signal for service, inspection, or repair must be accompanied by a Return Material Authorization (RMA). Obtain a RMA from a local Distributor or Manufacturer's Representative.

Provide a brief explanation of the service requested, or the nature of the malfunction.

Address all communications and shipments to the following:

Federal Signal Corporation
Service Department
2645 Federal Signal Dr.
University Park, IL 60484-3167

Ordering Replacement Parts

To order replacement parts, call Customer Support at 1-800-264-3578, 7 AM to 5 PM, Monday through Friday (CT) or contact your nearest distributor.



FEDERAL SIGNAL
Safety and Security Systems

2645 Federal Signal Drive
University Park, Illinois 60484-3167

www.fedsig.com

Customer Support

Police/Fire-EMS: 800-264-3578 • +1 708 534-3400

Work Truck: 800-824-0254 • +1 708 534-3400

Technical Support: 800-433-9132 • +1 708 534-3400

© Copyright 2016-2020 Federal Signal Corporation
All product names or trademarks are properties of their respective owners.