

**INSTRUCTION SHEET
FOR
STROBE HEAD MODELS 601182, 601183, 601192, AND 601193**

SAFETY MESSAGE TO INSTALLERS AND USERS

⚠ WARNING

People's lives depend on your safe installation of our products. It is important to read, understand and follow all instructions shipped with the products. In addition, listed below are some other important safety instructions and precautions you should follow:

- **To properly install this light: you must have a good understanding of automotive electrical procedures and systems, along with proficiency in the installation and use of safety warning equipment.**
- **DO NOT install equipment or route wiring or cord in the deployment path of an air bag.**
- **When drilling into a vehicle structure, be sure that both sides of the surface are clear of anything that could be damaged.**
- **This light can be powered by several types of strobe power supplies. Consult local codes and regulations to determine if the power supply/strobe head combination complies.**
- **Locate light control so the VEHICLE and CONTROL can be operated safely under all driving conditions.**
- **Do not attempt to activate or deactivate light control while driving in a hazardous situation.**
- **You should frequently inspect the light to ensure that it is operating properly and that it is securely attached to the vehicle.**
- **File these instructions in a safe place and refer to them when maintaining and/or reinstalling the product.**

Failure to follow all safety precautions and instructions may result in property damage, serious injury, or death to you or others.

I. GENERAL.

The Federal Signal/Target Tech Strobe Head Models 601182, 601183, 601192, and 601193 are high intensity, 360° strobe light heads. They are designed for use exclu-

sively with Federal Signal/Target Tech two head, four head, six head, and eight head power supplies.

II. UNPACKING.

After unpacking the light, inspect it for damage that may have occurred in transit. If the unit has been damaged, do not attempt to install or operate it. File a claim immediately with the carrier, stating the extent of damage. Carefully check all envelopes, shipping labels, and tags before removing or destroying them. Ensure that the parts listed in the KIT CONTENTS LIST are included in the package.

III. KIT CONTENTS LIST.

Qty.	Description
3	Screw, Pan Head, Phillips, S. S.
1	Gasket, Mounting, Flat
1	Shield, Light, Black
1	Template, Mounting

IV. INSTALLATION.

⚠ WARNING

High voltages generated by light's power supply may cause property damage, serious injury or death to you or others. Ensure that power to light is disconnected and wait at least 5 minutes before working on the light.

A. Permanent Mount.

1. Using the supplied template, scribe the location of the three base mounting holes and the bushing and lead wire clearance hole.

CAUTION

To avoid damage when drilling, ensure that both sides of mounting surface are clear of any parts or wires.

2. Drill one 0.625" hole at the previously scribed position of the bushing and lead wire clearance hole. Drill three 0.147" (#26 drill) holes at the previously scribed base mounting holes positions. Remove all burrs and sharp edges from the holes.

3. Align the gasket over the four previously drilled holes. Route the 3-conductor cable through the gasket and wiring routing hole as shown in figure 1.

4. Secure the base to the mounting surface with the #10 pan head phillips thread-forming screws (see figure 1).

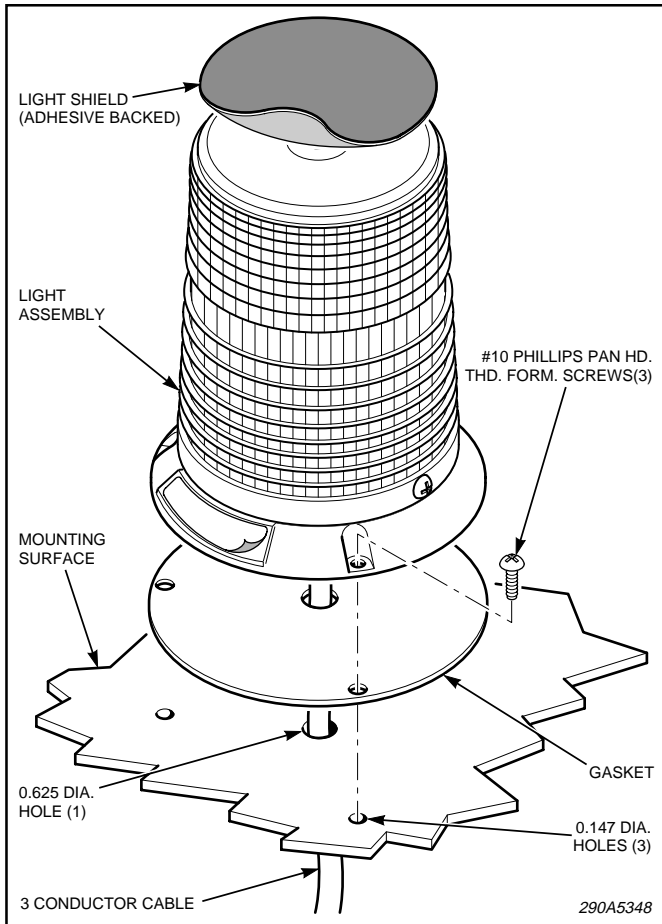


Figure 1.

B. Pipe Mount (see figure 2).

⚠ WARNING

High voltage generated by light's power supply may cause property damage, serious injury or death to you or others. Ensure that power to light is disconnected and wait at least 5 minutes before working on the light.

CAUTION

Service life of strobe tube will be shortened if glass portion is touched. If glass has been handled, clean carefully with a grease solvent.

1. The base is designed to be installed on the end of a threaded 1" NPT pipe.
2. Route 3-conductor cable through the pipe. Allow 8" of wire to extend past the end of the pipe.

V. ELECTRICAL.

CAUTION

The strobe tube assembly is designed to be used exclusively with Federal Signal/Target Tech power supplies. Use of any other power supply may cause shortened service life of the strobe tube.

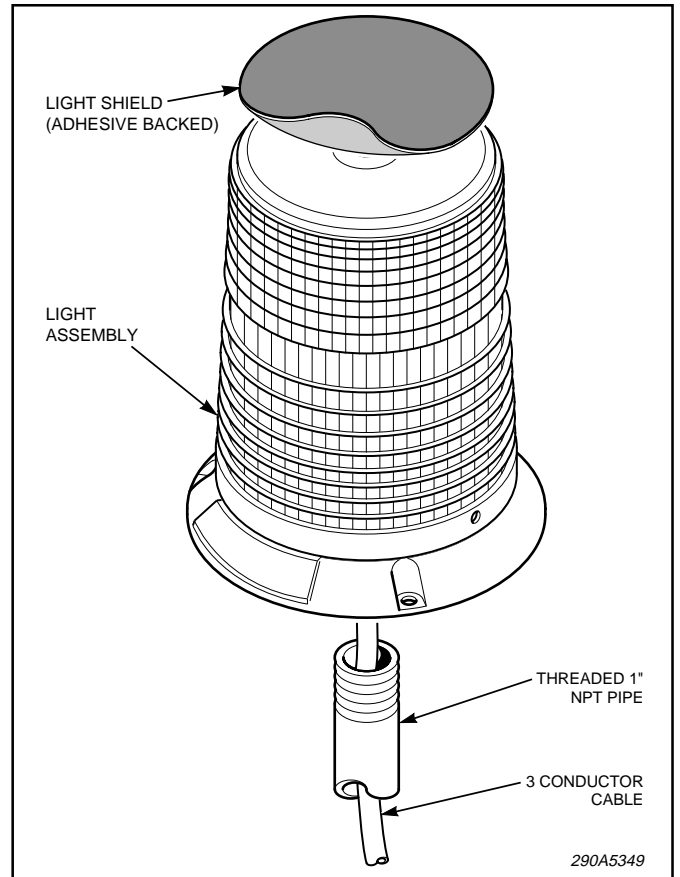


Figure 2.

The 601182 and 601183 models are supplied with a 4-foot Amp cable.

The 601192 and 601193 models are supplied with a 4-foot Weatherpack cable.

Perform the electrical connections to the power supply as described in the instructions packed with the power supply kit.

Test the unit(s) for proper operation.

VII. MAINTENANCE.

A. General.

⚠ WARNING

Crazing (cracking) of lenses will cause reduced effectiveness of the light. Do not use cleaning agents (which will cause crazing) such as strong detergents, solvents, or petroleum products. If crazing of lenses does occur, reliability of light for emergency signalling purposes may be reduced until lenses are replaced.

Ordinary cleaning of the plastic lenses can be accomplished by using mild soap and a soft rag. Should fine scratches or a haze appear on a lens, they can ordinarily be removed with a non-abrasive, high quality, one-step, automotive paste cleaner/wax and a soft cloth.

B. Strobe Tube Replacement.

⚠ WARNING

High voltages are present in a strobe light system. Wait at least five (5) minutes, after shutting off power, before servicing the unit. Failure to do so may result in property damage, serious injury, or death to you and others.

The flash tube is the only user serviceable component. Do not attempt to repair any other component. To replace the flash tube, proceed as follows:

CAUTION

Service life of strobe tube will be shortened if glass portion is touched. If glass has been handled, clean carefully with a grease solvent.

1. Disconnect all power to the strobe system power supply and wait at least 5 minutes before performing any maintenance.
2. Release the dome by pushing it down and turning counterclockwise. Remove and retain the dome and gasket.
3. Disconnect the quick connect terminals on the strobe tube's red, white, and black wires.
4. See figure 3. Gently push the silicone rubber base of the strobe tube down toward the metal base, and then carefully slide it out through the slot in the metal bracket.
5. See figure 3. Slide the new tube through the slot into the round center of the bracket, and then push the tube up into its position by pressing the rubber base from the bottom. If the strobe tube is difficult to insert, remove it and apply a high temperature grease, or Vaseline, to the rubber edge of the strobe tube and try again.
6. Connect the red, white, and black wires to the appropriate quick connect terminals. Ensure that the wires are looped to the left as shown in figure 3.
7. Reconnect all power connections to the power supply and test for proper operation
8. Inspect the gasket and replace if defective. Install the gasket and install the dome.

VIII. DUST COVER INSTALLATION AND REMOVAL (OPTIONAL).

1. Installation.

- a. See figure 4. Place the dust cover over the dome and align the four slots in the dust cover with the four posts on the exterior of the dome.
- b. While pushing down firmly on the dust cover, rotate the dust cover clockwise until the four posts on the dome exterior snap into the pockets on the interior surface

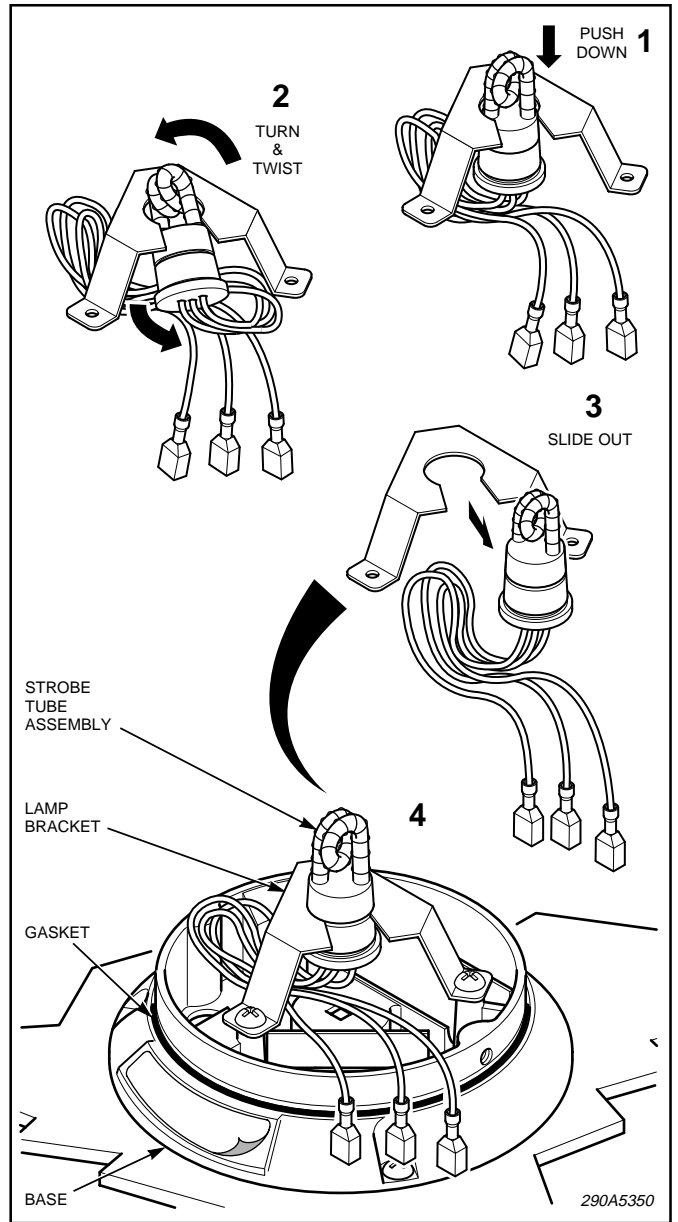


Figure 3.

of the dust cover. An audible click may be heard when the dust cover is correctly seated. With the dust cover installed, the dust cover and dome will be removed as a single unit. To disengage the dust cover from the dome for cleaning or replacement, proceed as follows:

2. Removal.

While pushing down firmly on the dust cover, rotate the dust cover counterclockwise until the four posts on the dome exterior snap out of the pockets on the interior surface of the dust cover. The dome will disengage from the base before the dust cover disengages from the dome. Continue pushing down firmly and rotating the dust cover counterclockwise until the dust cover disengages from the dome. An audible click may be heard when the dust cover has been released.

IX. BRANCH GUARD INSTALLATION.

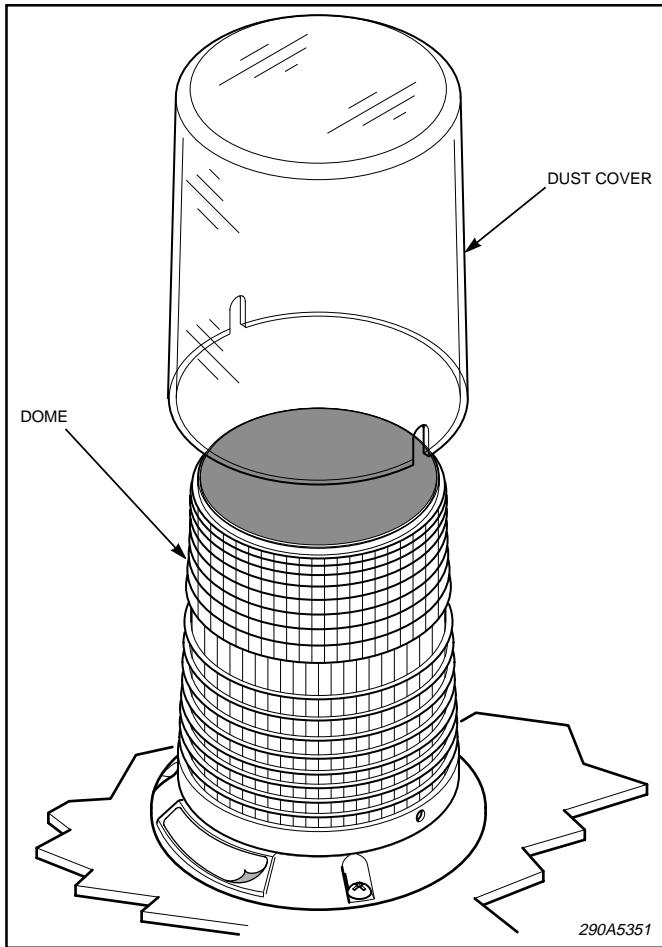


Figure 4.

Refer to the instructions supplied with the branch guard.

SAFETY MESSAGE TO OPERATORS

WARNING

Peoples' lives depend on your safe use of our products.

Listed below are some important safety instructions and precautions you should follow:

- **Although your warning system is operating properly, it may not be completely effective. People may not see or heed your warning signal. You must recognize this fact and continue driving cautiously.**
- **Also, situations may occur which obstruct your warning signal when natural or man-made objects are between your vehicle and others, such as: raising your hood or trunk lid. If these situations occur, be especially careful.**
- **At the start of your shift, you should ensure that the light is securely attached and operating properly.**

Failure to follow these safety precautions may result in property damage, serious injury, or death to you, to passengers, or to others.

RETAIN AND REFER TO THIS MESSAGE

Copyright 2005 Federal Signal Corporation