

**INSTRUCTION SHEET
FOR
MODEL 440002-44 (OPP)**

SAFETY MESSAGE TO INSTALLERS

⚠ WARNING

People's lives depend on your safe installation of our products. It is important to read, understand and follow all instructions shipped with the products. In addition, listed below are some other important safety instructions and precautions you should follow:

- **To properly install this light: you must have a good understanding of automotive electrical procedures and systems, along with proficiency in the installation and use of safety warning equipment.**
- **DO NOT install equipment or route wiring or cord in the deployment path of an air bag.**
- **When drilling into a vehicle structure, be sure that both sides of the surface are clear of anything that could be damaged.**
- **In order for the light to function properly, a separate ground connection must be made. If practical, it should be connected to the negative battery terminal. At a minimum, it may be attached to a solid metal body or chassis part that will provide an effective ground path as long as the light system is to be used.**
- **Locate light control so the VEHICLE and CONTROL can be operated safely under all driving conditions.**
- **Do not attempt to activate or deactivate light control while driving in a hazardous situation.**
- **You should frequently inspect the light to ensure that it is operating properly and that it is securely attached to the vehicle.**
- **File these instructions in a safe place and refer to them when maintaining and/or reinstalling the product.**

Failure to follow all safety precautions and instructions may result in property damage, serious injury, or death to you or others.

A. GENERAL.

The Federal Mirror Strobe Model 440002-44 is a high intensity, directional strobe light assembly. It is designed for use with Federal Model 600111 (two head power supply), Models 600131/600141 (four head power supplies), or Model 600151 (six head power supply). These power supplies will provide 70 to 75 double or quadruple strobe flashes per minute with flash energy of 10 to 13 joules per double/quadruple flash.

The unit is supplied with a mounting bracket which allows a flexible mounting arrangement. Lens colors are red/red.

B. UNPACKING.

After unpacking the light, inspect it for damage that may have occurred in transit. If the unit has been damaged, do not attempt to install or operate it. File a claim immediately with the carrier, stating the extent of damage. Carefully check all envelopes, shipping labels, and tags before removing or destroying them. Ensure that the parts listed in the appropriate KIT CONTENTS LIST are included in the package.

C. KIT CONTENTS LIST.

| Qty. | Description | Part No. |
|------|-----------------------------|-------------|
| 4 | Screw, Hex Hd., 1/4 x 5/8 | 7011165-10 |
| 2 | Screw, Pan Hd., 1/4 x 5/8 | 7011161-10 |
| 1 | Screw, #6-32 x 1 | 7000A400-16 |
| 1 | Washer, Flat, #6 | 7072A007 |
| 2 | Washer, Flat, 1/4, Black | 7072230 |
| 2 | Lockwasher, Ext. Tooth, 1/4 | 7075078 |
| 1 | Lockwasher, Split, #6 | 7074A007 |
| 1 | Bolt, Carriage, 1/4-20, MS2 | 7004A020-12 |
| 1 | Nut, 1/4-20 | 7059A020 |
| 1 | Nut, #6-32 | 7059A005 |
| 1 | Washer, Flat, 1/4 | 7072A024 |
| 1 | Lockwasher, Split, 1/4 | 7074A016 |
| 2 | Gasket, Rubber, MS2 | 8240A107 |
| 1 | Bracket, Mounting, GM | 8573130 |
| 1 | Bracket, Bail, MS2 | 8573125 |
| 1 | Adhesive Pad | 8573199 |
| 2 | AMP Plug | 140A203 |

⚠ WARNING

This product is intended for supplemental warning and for use in conjunction with an approved primary warning light system. This strobe head can be powered by several types of strobe power supplies. Consult local codes and regulations to determine if the power supply/strobe head combination complies.

D. INSTALLATION.

⚠ WARNING

When installing equipment inside air bag equipped vehicles, the installer MUST ensure that the equipment is installed ONLY in areas recommended by the vehicle manufacturer.

Failure to observe this warning will reduce the effectiveness of the air bag, damage the air bag, or potentially damage or dislodge the equipment, causing serious injury or death to you or others.

CAUTION

Vehicle damage may result from improper removal of vehicle's interior rear view mirror. Read and follow the safety precautions and instructions contained in the vehicle's service manual(s).

1. Remove and retain the interior rear view mirror by performing the removal instructions contained in the vehicle's service manual(s).

2. See figure 1. Locate the roof support channel(s) under the headliner. Using the mounting bracket as a template, align four mounting holes with the support channel(s) and mark four drill position marks on the mounting surface.

CAUTION

Before drilling holes in ANY part of a vehicle, be sure that both sides of the mounting surface are clear of parts that could be damaged; such as electrical wiring or other vital parts.

3. Drill four 0.194" mounting holes at the previously marked drill position marks.

4. See figure 2. Remove the release liner from one side of the adhesive pad and secure the pad to the mounting bracket in the location shown. Remove the release liner from the other side of the adhesive pad and secure the rear view mirror in the mounting bracket's small slot using the #6-32 x 1" pan head screw, #6 flat washer, #6 lockwasher and #6 nut.

5. Secure the mounting bracket/mirror assembly to the mounting surface using the four 1/4" x 5/8" hex head type B screws.

6. See figure 3. Assemble the bail bracket to the light assembly using the two 1/4" x 5/8" pan head screws, external tooth lockwashers, and black flat washers. Do not tighten the screws at this time. Cut the

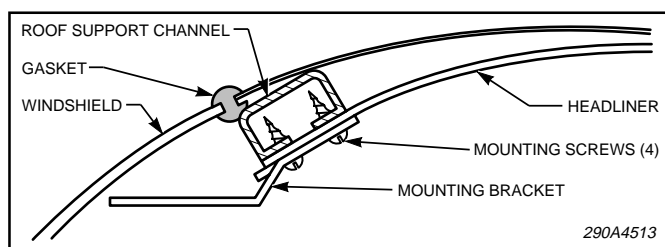


Figure 1.

rubber gaskets to length and assemble to the sides of the light assembly as shown in figure 3.

7. See figure 3. Assemble the light assembly/bail bracket to the mounting bracket's center slot using the 1/4-20 carriage bolt, flat washer, split lockwasher, and 1/4-20 nut. Do not tighten the nut at this time.

⚠ WARNING

Do not install the light in a location which can obstruct the driver's vision. Installing the light assembly too low will obstruct the driver's vision and prevent safe vehicle operation. Ensure that the light is mounted in a position that allows maximum visibility.

CAUTION

Do not install the light assembly in the windshield's tinted area. Light output will be reduced and the light's color will change, lessening the effectiveness of the light.

8. Position a 1/8" thick cardboard spacer between the windshield and the light assembly. Adjust the light assembly housing so that it is parallel to the road surface, and is just below the tinted portion of the vehicle's windshield. Tighten all fasteners and remove the cardboard spacer.

⚠ WARNING

Blind spots will result if the interior rear view mirror is improperly installed. Position the replacement rear view mirror as close as possible to the position of the original rear view mirror.

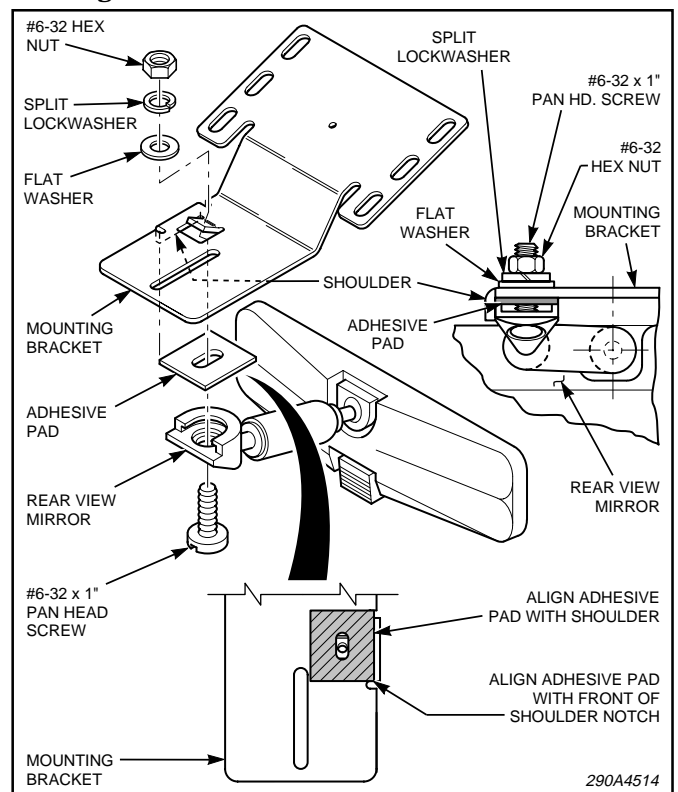


Figure 2.

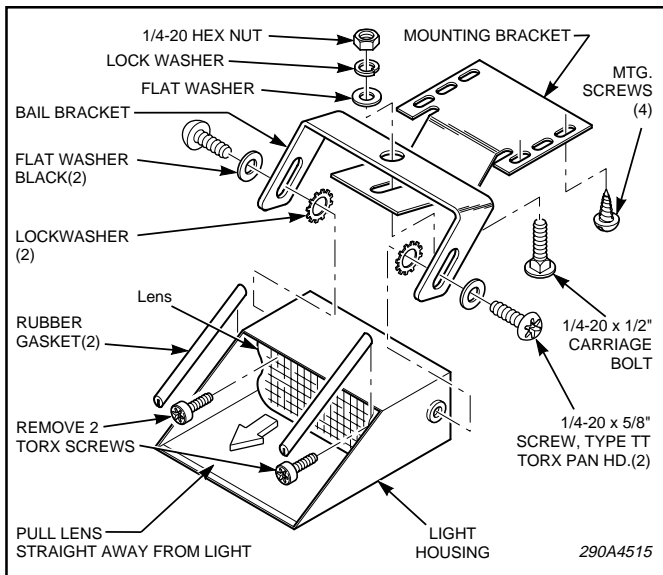


Figure 3.

E. ELECTRICAL.

CAUTION

The strobe tube assembly is designed to be used exclusively with Federal Signal's Model 600111/600131/600141/600151 power supplies and Model 601341 or 601351 cable kits. Use of any other power supply may cause shortened service life of the strobe tube.

⚠ WARNING

High voltages are present in a strobe light system. Cover any unused power supply connector slot(s) with electrical tape.

NOTE

Two cable kits are required for installation of two-head units.

The light assembly is supplied with terminals on the cable (see figure 4). Perform the electrical connections as described in the instructions packed with the power supply and cable kit. Test the unit for proper operation.

F. MAINTENANCE.

1. *General.*

⚠ WARNING

Crazing (cracking) of lenses will cause reduced effectiveness of the light. Do not use cleaning agents (which will cause crazing) such as strong detergents, solvents, or petroleum products. If crazing of lenses does occur, reliability of light for emergency signalling purposes may be reduced until lenses are replaced.

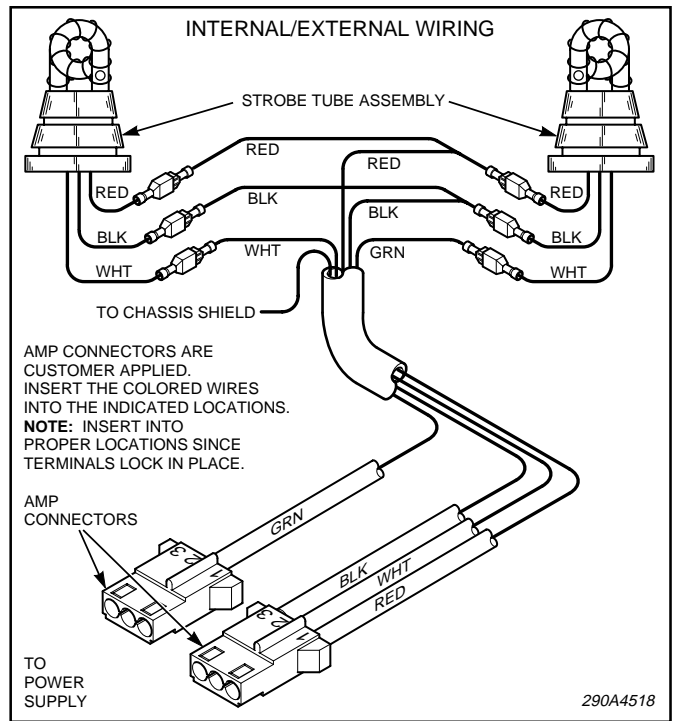


Figure 4.

Ordinary cleaning of the plastic lenses can be accomplished by using mild soap and a soft rag. Should fine scratches or a haze appear on a lens, they can ordinarily be removed with a non-abrasive, high quality, one-step, automotive paste cleaner/wax and a soft cloth.

2. *Strobe Tube Replacement.*

⚠ WARNING

High voltages are present in a strobe light system. Wait at least five (5) minutes, after shutting off power, before servicing the unit. Failure to do so may result in property damage, serious injury, or death to you and others.

a. Disconnect all power to the strobe system power supply before performing any maintenance.

b. Remove and retain the two screws and lockwashers which secure the light assembly to the mounting bracket (see figure 3).

c. See figure 5. Remove and retain the screws which secure the back cover to the mounting bar.

c. Disconnect the quick connect terminals from the defective strobe tube.

d. Remove the strobe tube assembly by pulling the wires at the base of the strobe tube assembly. Pull the strobe tube straight away from the mounting bar.

CAUTION

Service life of strobe tube will be shortened if glass is touched. If glass has been handled, clean carefully with a grease solvent.

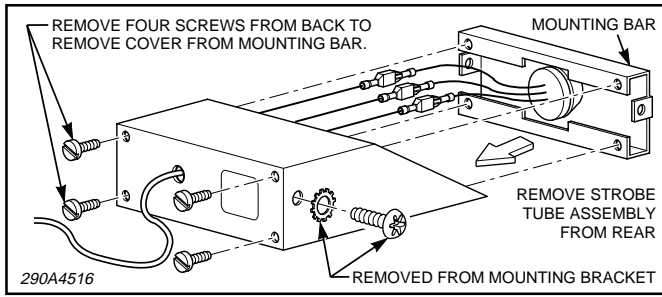


Figure 5.

e. See figure 6. SLOWLY insert the new strobe tube in the mounting bar until it is properly seated in the top slot of the strobe tube. If the strobe tube is difficult to insert, remove it and apply a high temperature grease, or Vaseline, to the rubber edge of the strobe tube and try again.

f. Reconnect the quick connect terminals. Reassemble the unit.

g. Reconnect all power connections to the power supply and test for proper operation.

NOTE

Figure 4 shows Model 440002-44's internal wiring.

SAFETY MESSAGE TO OPERATORS

⚠ WARNING

Peoples' lives depend on your safe use of our products.

Listed below are some important safety instructions and precautions you should follow:

- **Although your warning system is operating properly, it may not be completely effective. People may not see or heed your warning signal. You must recognize this fact and continue driving cautiously.**
- **Also, situations may occur which obstruct your warning signal when natural or man-made objects are between your vehicle and others, such as: raising your hood or trunk lid. If these situations occur, be especially careful.**
- **At the start of your shift, you should ensure that the light is securely attached and operating properly.**

Failure to follow these safety precautions may result in property damage, serious injury, or death to you, to passengers, or to others.

RETAIN AND REFER TO THIS MESSAGE

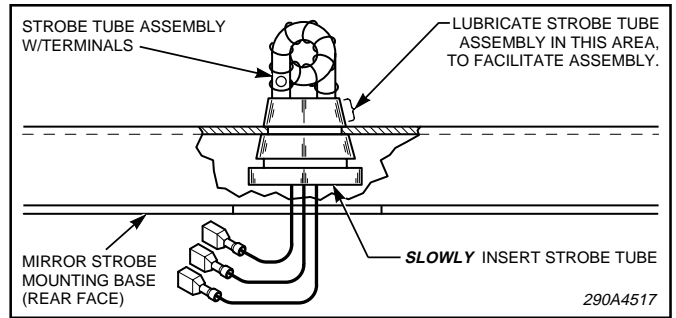


Figure 6.

G. REPLACEMENT PARTS LIST.

| Description | Part No. |
|---------------------------|------------|
| Strobe Tube Assembly | 8575013 |
| Cable Assy., 4-cond., MS2 | 1751136-01 |
| Bracket, Bail, MS2 | 8573125 |
| Visor, GM, MS2, OPP | 8573126-10 |
| Reflector, Strobe | 8573187 |
| Lens, Red | 8573001-01 |
| Lens, Blue | 8573001-03 |
| Lens, Amber | 8573001-02 |
| Lens, Green | 8573001-04 |
| Screw, Pan Hd., Torx, #8 | 7011163-04 |