

**INSTALLATION INSTRUCTIONS  
FOR  
MODEL 413300 SERIES CORNER STROBES**

**SAFETY MESSAGE TO INSTALLERS AND USERS**

**⚠ WARNING**

**The lives of people depend on your proper installation and servicing of Federal products. It is important to read and follow all instructions shipped with the products. In addition, listed below are some other important safety instructions and precautions you should follow:**

- **To properly install this light: you must have a good understanding of automotive electrical procedures and systems, along with proficiency in the installation and use of safety warning equipment.**
- **When drilling into a vehicle structure, be sure that both sides of the surface are clear of anything that could be damaged.**
- **Locate light control so the VEHICLE and CONTROL can be operated safely under all driving conditions.**
- **Do not attempt to activate or deactivate light control while driving in a hazardous situation.**
- **You should frequently inspect the light to ensure that it is operating properly and that it is securely attached to the vehicle.**
- **File these instructions in a safe place and refer to them when maintaining and/or reinstalling the product.**

**Failure to follow all safety precautions and instructions may result in property damage, serious injury, or death to you or others.**

**A. INSTALLATION.**

**⚠ WARNING**

**This product is intended for supplemental warning and for use in conjunction with an approved primary warning light system. This strobe head can be powered by several types of strobe power supplies. Consult local codes and regulations to determine if the power supply/strobe head combination complies.**

1. Remove the reflector housing from the automobile.

2. See figure 1. Locate a suitable mounting location for the strobe tube on the reflector housing. To ensure a full flash pattern on the reflector housing lens, the mounting location should be flat and as close to the reflector's focal point as possible without interfering with any lamp(s) installed in the housing.

**CAUTION**

Before drilling holes in ANY part of a vehicle, be sure that both sides of the mounting surface are clear of parts that could be damaged; such as brake lines, fuel lines, electrical wiring or other vital parts.

3. Drill a 1" hole in the reflector housing at the appropriate mounting location.

4. Chamfer the outside edge of the hole (approx. 1/32") to remove any burrs.

**CAUTION**

Service life of strobe tube will be shortened if glass is touched. If glass has been handled, clean carefully with a grease solvent.

5. See figure 2. SLOWLY insert the strobe tube in the reflector housing until it is properly seated in the bottom slot of the strobe tube. If the strobe tube is difficult to insert, remove it and apply a high temperature grease, or Vaseline, to the rubber edge of the strobe tube and try again.

**CAUTION**

The strobe tube assembly is designed to be used exclusively with Federal Signal power supplies (15W per head maximum). Use of any other power supply may cause shortened service life of the strobe tube.

6. Route the 3-conductor cable from the power supply to the strobe tube. Plug the weatherpack cable into the strobe tube's connector. Test the unit for proper operation.

7. Reinstall the reflector housing in the automobile.

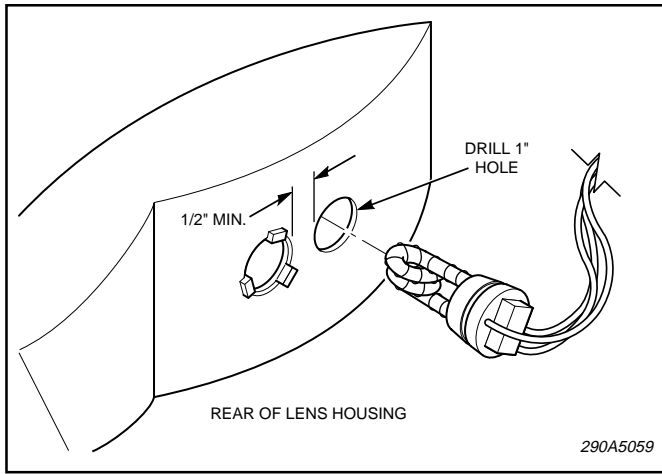


Figure 1.

**B. STROBE TUBE REPLACEMENT.**

**⚠ WARNING**

**High voltages are present in a strobe light system. Wait at least five (5) minutes, after shutting off power, before servicing the unit. Failure to do so may result in property damage, serious injury, or death to you and others.**

1. Disconnect all power to the strobe system power supply before performing any maintenance.
2. Remove the reflector housing from the automobile.

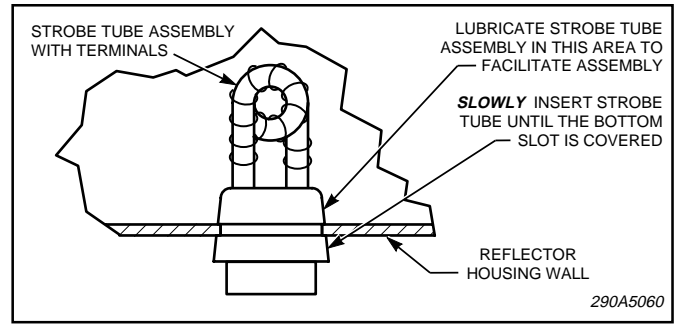


Figure 2.

3. Disconnect the strobe tube assembly from the 3-conductor cable.
4. Remove the strobe tube assembly by pulling the rubber base of the strobe tube assembly. Remove any rubber particles which may be in the reflector housing.
5. Verify that the wire colors match and that for both connectors location A is red, location B is black, and location C is white.
6. Install the new strobe tube as described in paragraph A.5. above.
7. Reconnect the plug to the 3-conductor cable.
8. Reconnect all power connections to the power supply and test for proper operation.
9. Reinstall the reflector housing in the automobile.